



MOULDING PROFILE SELECTION GUIDE



**3300 Business Center Dr
Chesapeake, VA 23323
757-485-0782**

**814 Chapman Way
Newport News, VA 23608
757-875-1850**

www.kempsvillebuilding.com



Quality Wood Mouldings

Hardwood Moulding

Profiles in stock in Oak and Poplar; other species by special order

Casing	3
Mullion	9
Base	11
Base Cap	17
Shoe Mould	19
Quarter Round	21
Full Round	21
Drip Cap	21
Rakes	21
Crown & Bed	23
Brick Moulding	23
Crown & Cove	25
Cove	28
Chair Rail	29
Hand Rail	31
Stops	33
Stools	35
Wall Rail	37
Fluted Pilaster	39
Lattice	41
Bead Fascia	41
Back Band	43
Shiplap	45
Tongue & Groove	47
Misc.	49
PVC Trim	51
Flexible Trim	53
Index	55





Quality Wood Mouldings

Hardwood Moulding

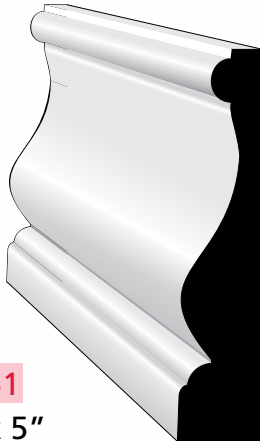
Profiles in stock in Oak and Poplar; other species by special order

Casing	3
Mullion	9
Base	11
Base Cap	17
Shoe Mould	19
Quarter Round	21
Full Round	21
Drip Cap	21
Rakes	21
Crown & Bed	23
Brick Moulding	23
Crown & Cove	25
Cove	28
Chair Rail	29
Hand Rail	31
Stops	33
Stools	35
Wall Rail	37
Fluted Pilaster	39
Lattice	41
Bead Fascia	41
Back Band	43
Shiplap	45
Tongue & Groove	47
Misc.	49
PVC Trim	51
Flexible Trim	53
Index	55

Casing

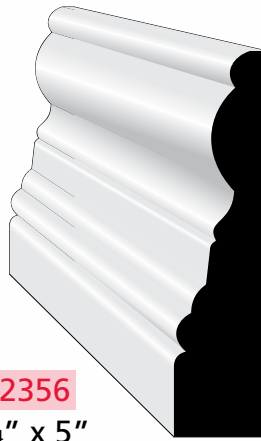
Casings define the overall character of a room and are often the most visible part of the trim. They are used primarily to cover the gap between drywall and the door or window frame. Casings are generally thicker than the base mouldings.

*Denotes Kempsville Special Order Product



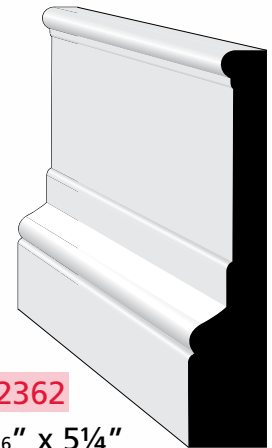
KP2351

1³/₁₆" x 5"



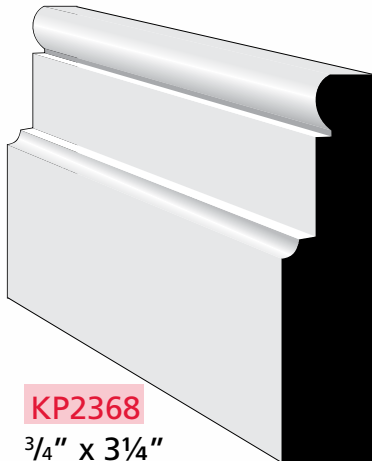
KP2356

1¹/₄" x 5"



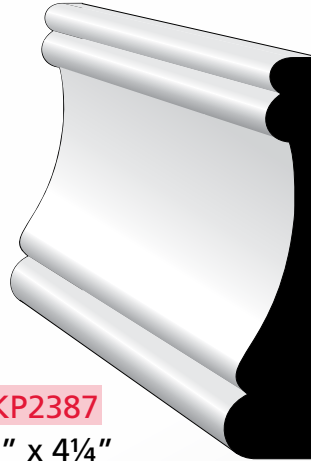
KP2362

1¹/₁₆" x 5¹/₄"



KP2368

3/4" x 3¹/₄"



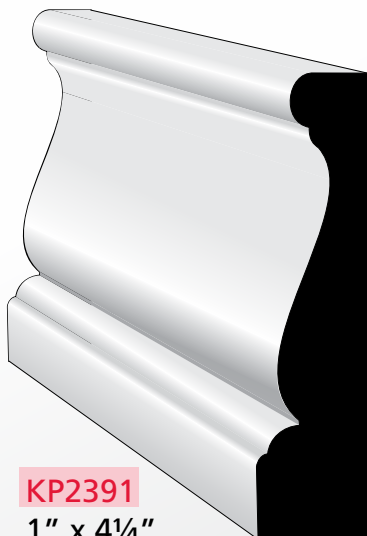
KP2387

1" x 4¹/₄"



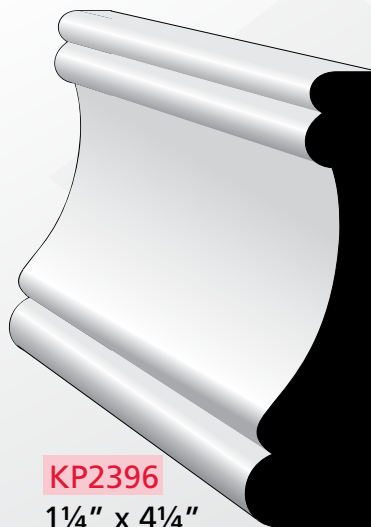
KP2390

1" x 3¹/₂"



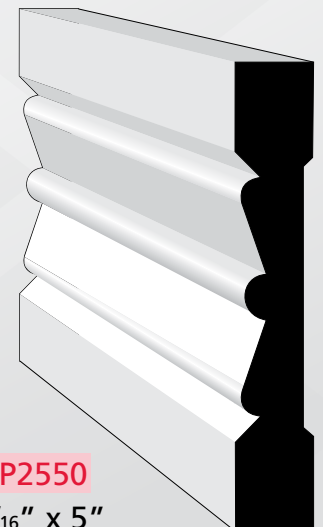
KP2391

1" x 4¹/₄"



KP2396

1¹/₄" x 4¹/₄"



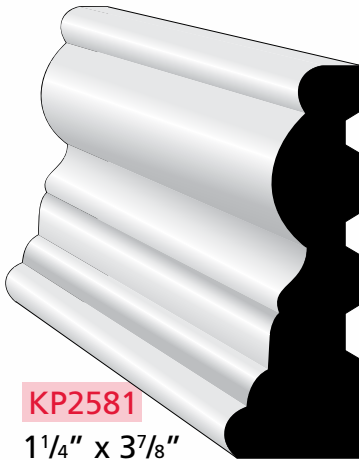
KP2550

1³/₁₆" x 5"

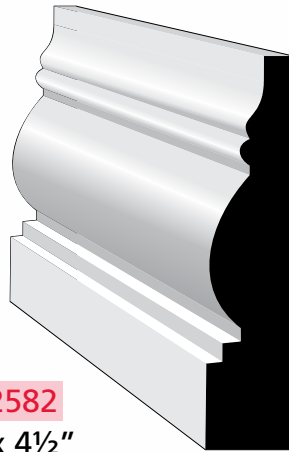
Casing

*Denotes Kempsville Special Order Product

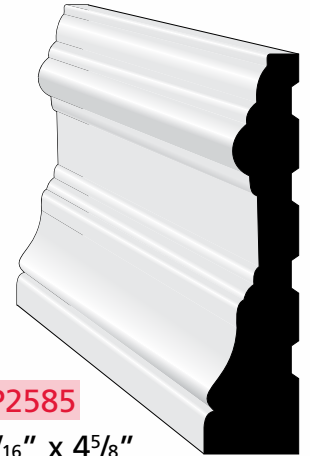
4



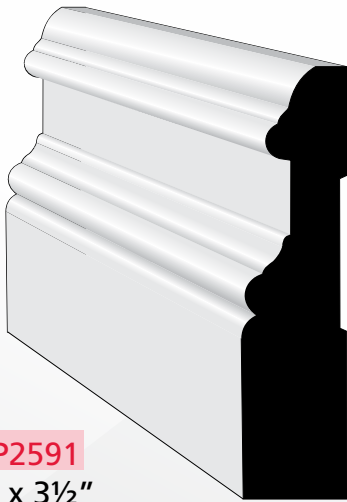
KP2581
1 1/4" x 3 7/8"



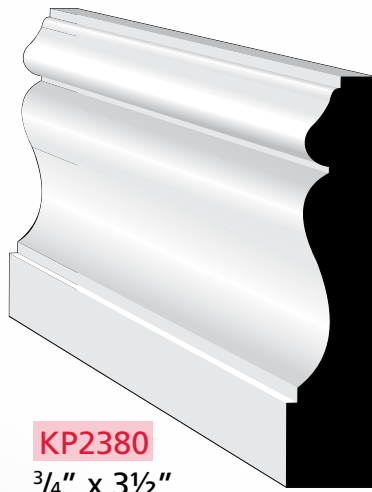
KP2582
1" x 4 1/2"



KP2585
1 1/16" x 4 5/8"



KP2591
1" x 3 1/2"



KP2380
3/4" x 3 1/2"



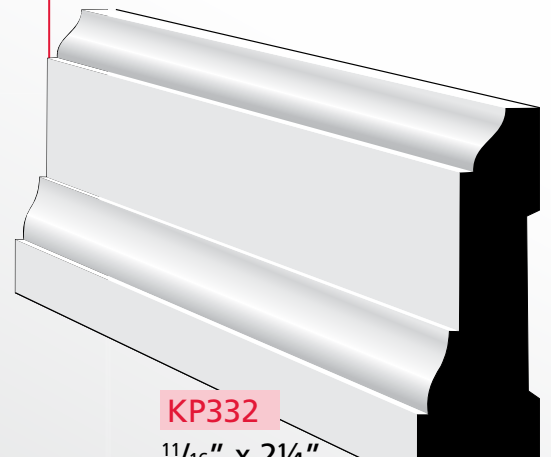
KP2343
1" x 3 1/2" - 4 1/4"



KP366
1 1/16" x 2 1/4" - 3 1/4"



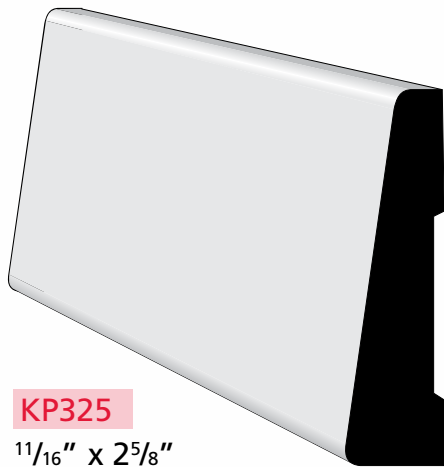
KP327
1 1/16" x 2 1/4"



KP332
1 1/16" x 2 1/4"

Casing

 *Denotes Kempsville Special Order Product



KP325
1¹/₁₆" x 2⁵/₈"

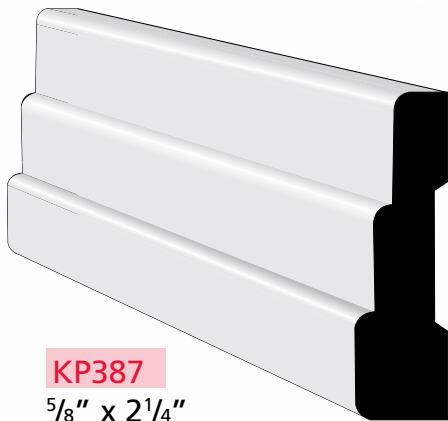


KP356
1¹/₁₆" x 2¹/₄"



KP376
1¹/₁₆" x 2¹/₄" - 3¹/₄"

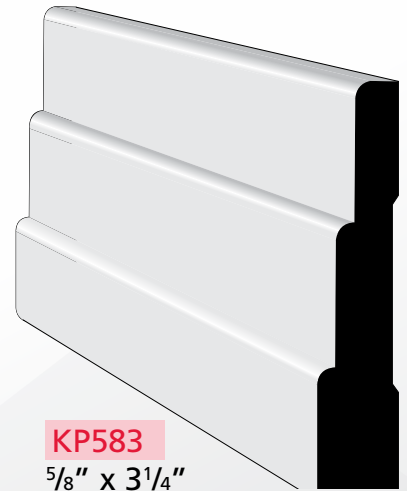
5



KP387
5/8" x 2¹/₄"



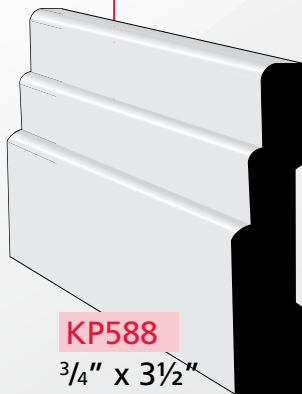
KP445
1¹/₁₆" x 3¹/₄" - 4¹/₄"



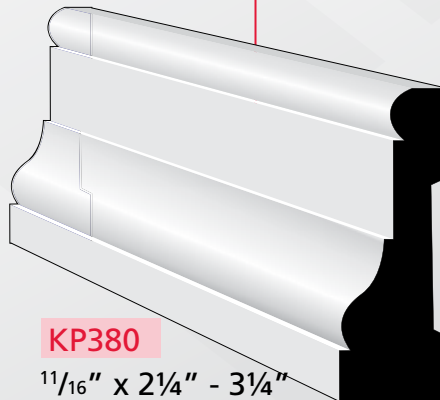
KP583
5/8" x 3¹/₄"



KP342
3/4" x 3"



KP588
3/4" x 3¹/₂"



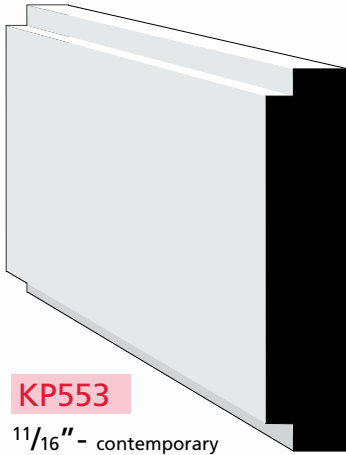
KP380
1¹/₁₆" x 2¹/₄" - 3¹/₄"



KP430
3/4" x 4⁷/₁₆"

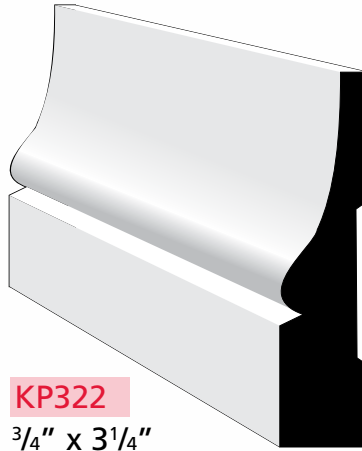
Casing

*Denotes Kempsville Special Order Product



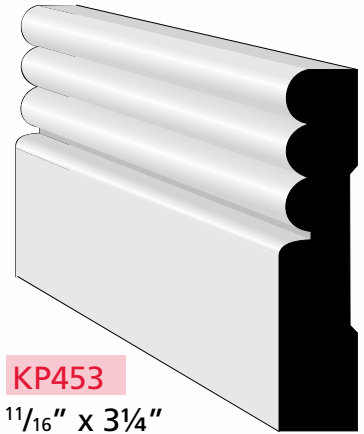
KP553

1¹/₁₆" - contemporary



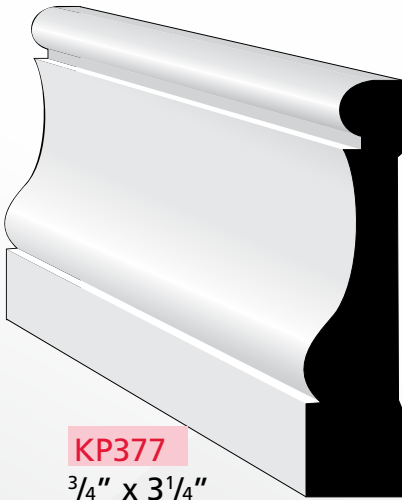
KP322

3/4" x 3¹/₄"



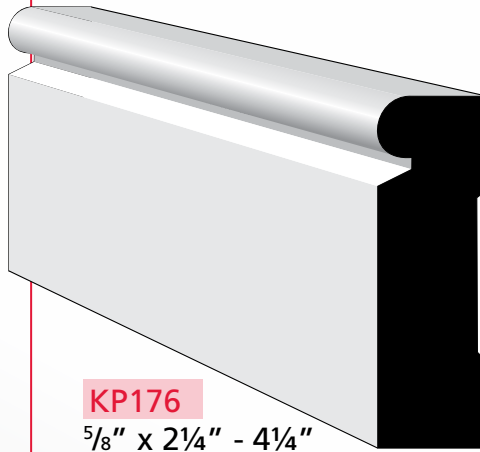
KP453

1¹/₁₆" x 3¹/₄"



KP377

3/4" x 3¹/₄"



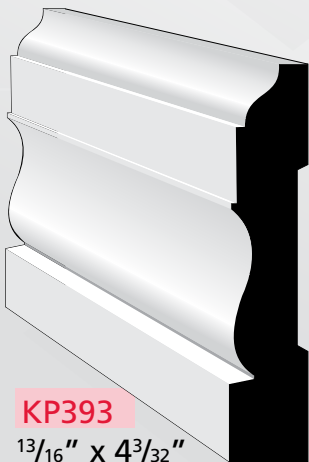
KP176

5/8" x 2¹/₄" - 4¹/₄"



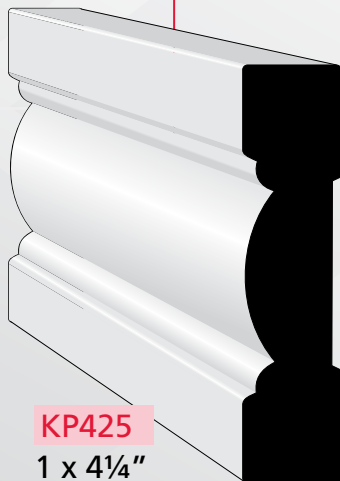
KP450

1¹/₁₆" x 3¹/₄" - 4¹/₄"



KP393

1³/₁₆" x 4³/₃₂"



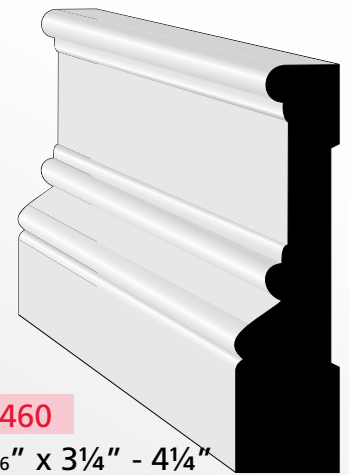
KP425

1 x 4¹/₄"



KP455

1⁵/₁₆" x 4"

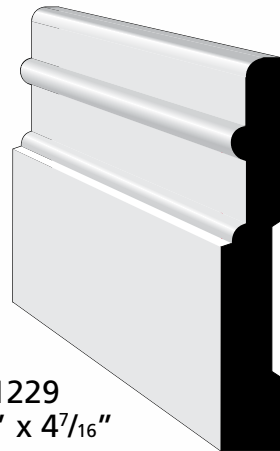


KP460

1¹/₁₆" x 3¹/₄" - 4¹/₄"

Casing

*Denotes Kempsville Special Order Product



TW1229
1 1/16" x 4 7/16"



FJ
C327F
WM327
1 1/16" x 2 1/4"



PRMD
U/L
MDFC376PRU
WM376
1 1/16" x 2 1/4"



CLR
C376
WM376
1 1/16" x 2 1/4"



FJ
C376F
WM376
1 1/16" x 2 1/4"



CLR
NET
C445
WM445
1 1/16" x 3 1/4"



PRMD
U/L
MDFC445PRU
WM445
1 1/16" x 3 1/4"



FJ
C445F
WM445
1 1/16" x 2 1/4"



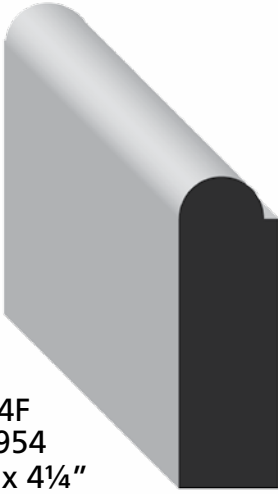
FJ
C97F
1 1/16" x 3 1/2"

Mullion

*Denotes Kempsville Special Order Product

FJ

M954F
WM954
9/16" x 4 1/4"



CLR

M959
3/8" x 1 1/4"



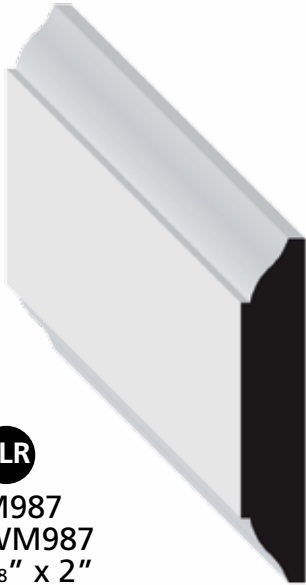
FJ

M972F
WM972
3/8" x 2"



CLR

M987
WM987
3/8" x 2"



KP956

3/8" x 2"



KP958

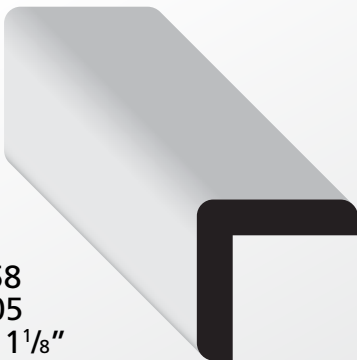
3/8" x 1 1/2"



Corner

CLR

CG2058
WM205
1 1/8" x 1 1/8"





Base

Baseboards are placed along the wall at the floor. They should be chosen to work in harmony with your casings to finish and tie the room together. Baseboards are usually thinner than the casing.



*Denotes Kempsville Special Order Product



KP753

$1\frac{1}{16}'' \times 3\frac{1}{4}''$



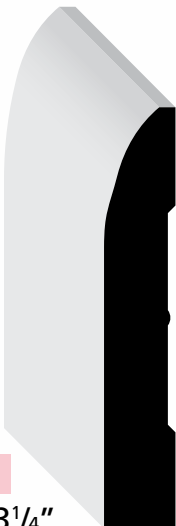
KP750

$1\frac{1}{16}'' \times 4\frac{1}{4}''$



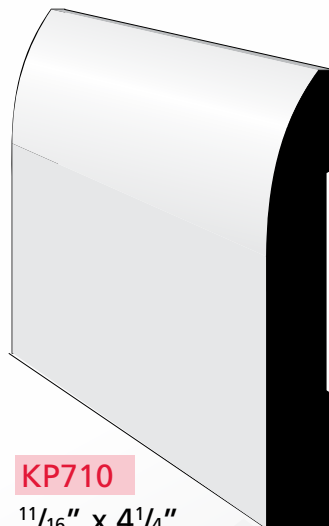
KP748

$1\frac{1}{16}'' \times 5\frac{1}{4}''$



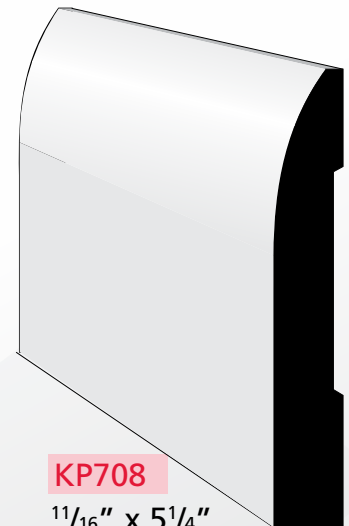
KP713

$1\frac{1}{16}'' \times 3\frac{1}{4}''$



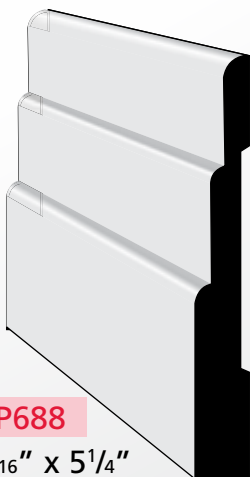
KP710

$1\frac{1}{16}'' \times 4\frac{1}{4}''$



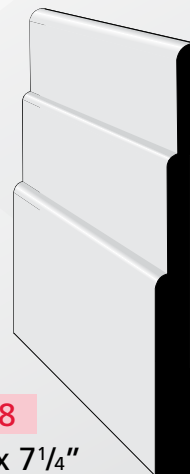
KP708

$1\frac{1}{16}'' \times 5\frac{1}{4}''$



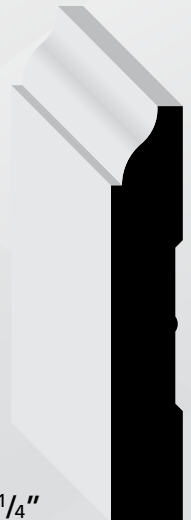
KP688

$1\frac{1}{16}'' \times 5\frac{1}{4}''$



KP698

$1\frac{1}{16}'' \times 7\frac{1}{4}''$



KP623

$1\frac{1}{16}'' \times 3\frac{1}{4}''$

Base



*Denotes Kempsville Special Order Product

12



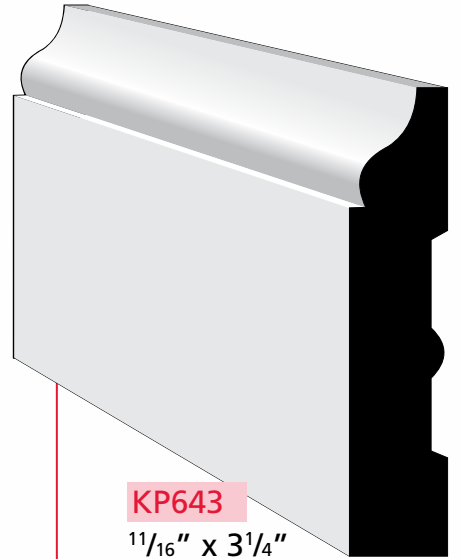
KP620

$1\frac{1}{16}'' \times 4\frac{1}{4}''$



KP618

$1\frac{1}{16}'' \times 5\frac{1}{4}''$



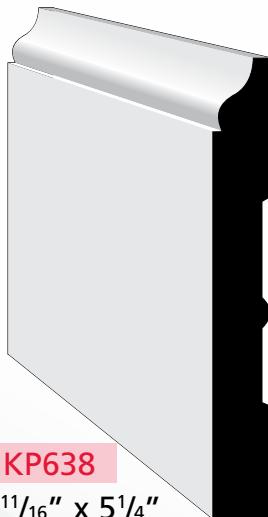
KP643

$1\frac{1}{16}'' \times 3\frac{1}{4}''$



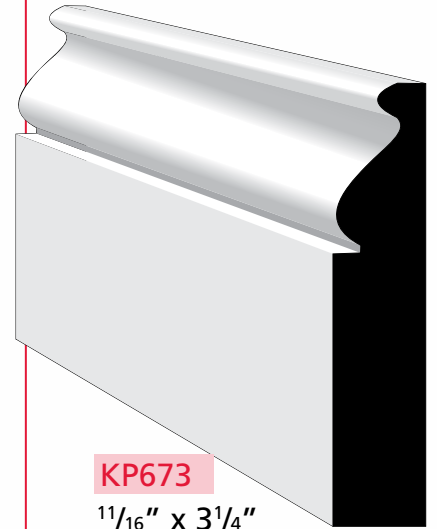
KP640

$1\frac{1}{16}'' \times 4\frac{1}{4}''$



KP638

$1\frac{1}{16}'' \times 5\frac{1}{4}''$



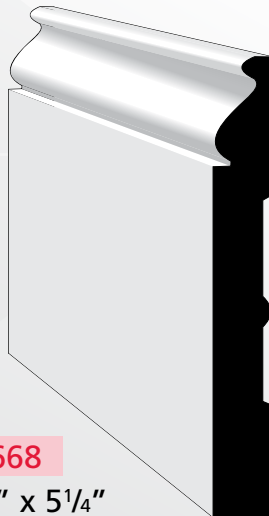
KP673

$1\frac{1}{16}'' \times 3\frac{1}{4}''$



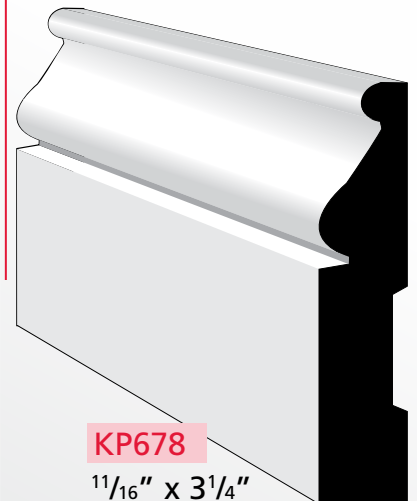
KP670

$1\frac{1}{16}'' \times 4\frac{1}{4}''$



KP668

$1\frac{1}{16}'' \times 5\frac{1}{4}''$



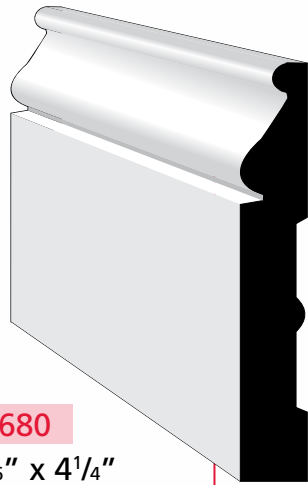
KP678

$1\frac{1}{16}'' \times 3\frac{1}{4}''$

Base

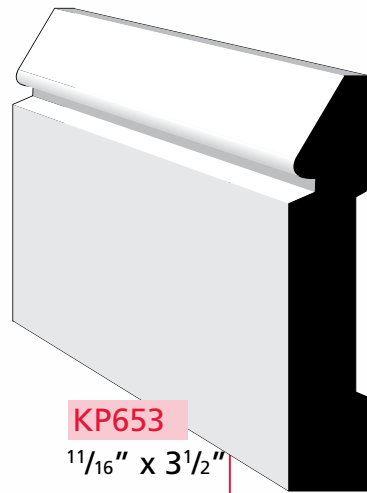


*Denotes Kempsville Special Order Product



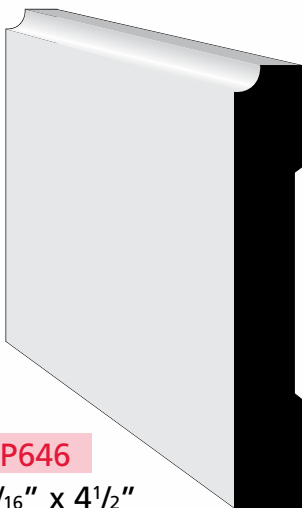
KP680

$1\frac{1}{16}'' \times 4\frac{1}{4}''$



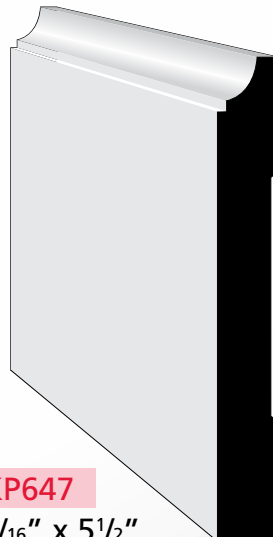
KP653

$1\frac{1}{16}'' \times 3\frac{1}{2}''$



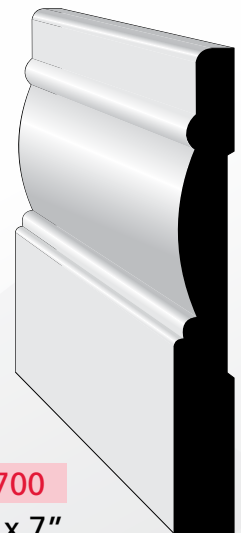
KP646

$1\frac{1}{16}'' \times 4\frac{1}{2}''$



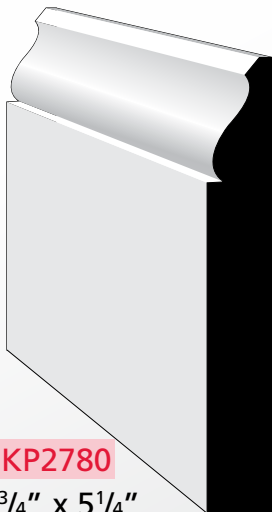
KP647

$1\frac{1}{16}'' \times 5\frac{1}{2}''$



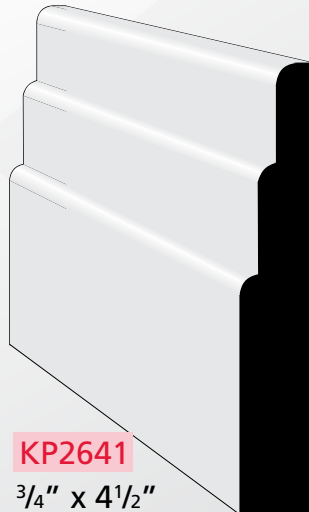
KP700

$\frac{7}{8}'' \times 7''$



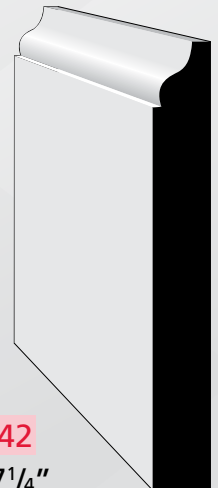
KP2780

$\frac{3}{4}'' \times 5\frac{1}{4}''$



KP2641

$\frac{3}{4}'' \times 4\frac{1}{2}''$



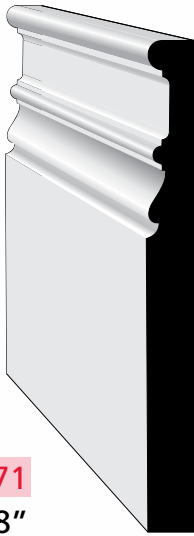
KP2642

$1'' \times 7\frac{1}{4}''$

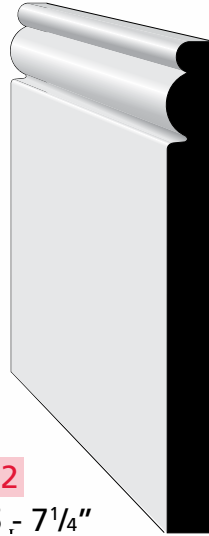
Base

*Denotes Kempsville Special Order Product

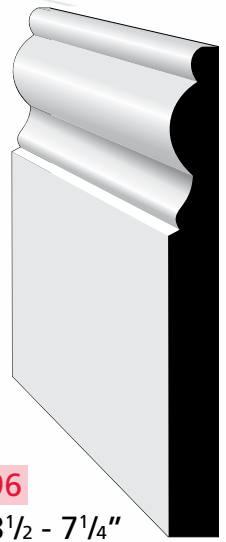
14



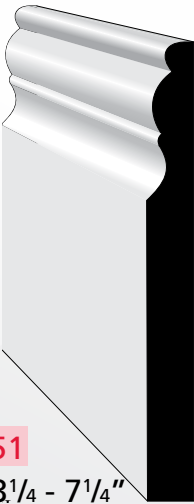
KP2671
3/4" x 8"



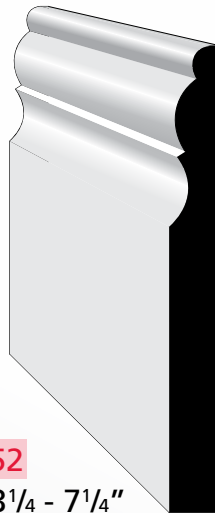
KP2692
3/4" x 5 - 7 1/4"



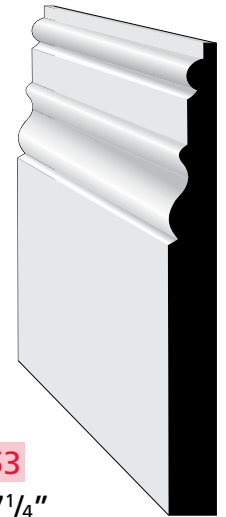
KP2696
3/4" x 3 1/2 - 7 1/4"



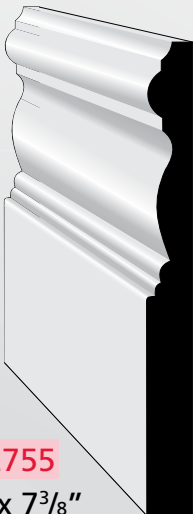
KP2751
3/4" x 3 1/4 - 7 1/4"



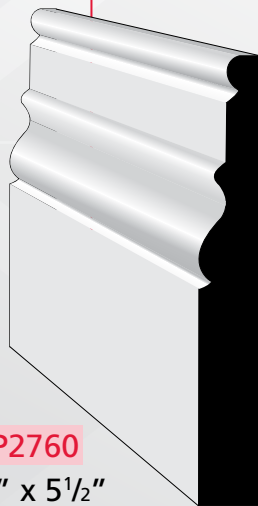
KP2752
3/4" x 3 1/4 - 7 1/4"



KP2753
3/4" x 7 1/4"



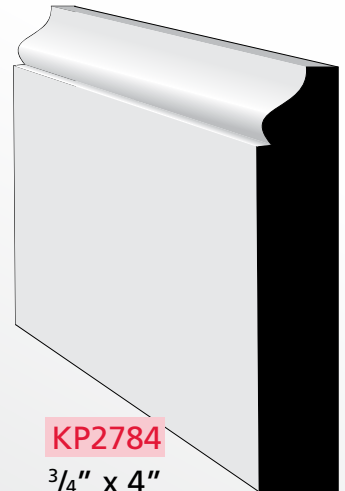
KP2755
3/4" x 7 3/8"



KP2760
3/4" x 5 1/2"



KP2782
3/4" x 3 1/2"



KP2784
3/4" x 4"

Base



*Denotes Kempville Special Order Product

FJ

B163EF
#163E

9/16" x 5 1/4"



CLR

B620
WM620

9/16" x 4 1/4"



FJ

B620F
WM620

9/16" x 4 1/4"



CLR

B623
WM623

9/16" x 3 1/4"



CLR

MDFB623
WM623

9/16" x 3 1/4"



FJ

B623F
WM623

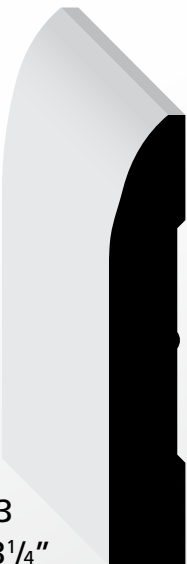
9/16" x 3 1/4"



CLR

B713
WM713

9/16" x 3 1/4"



FJ

B713F
WM713

9/16" x 3 1/4"

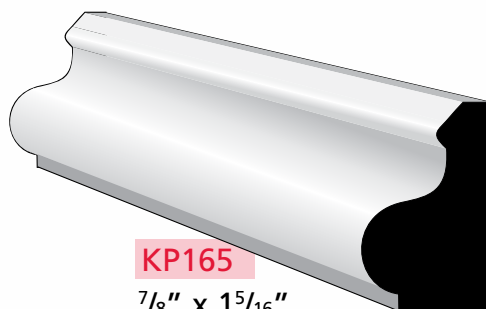




Base Cap

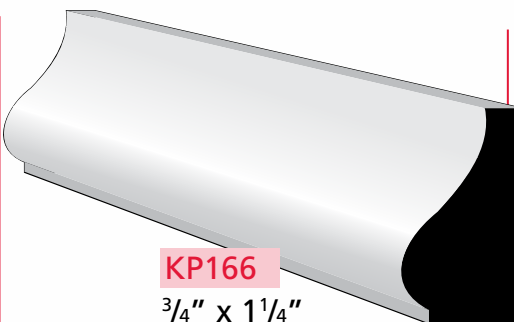
A decorative moulding installed flush against the wall on top of an S4S board. This will create a dramatic baseboard effect. Also a versatile panel moulding that can be used for many finishing applications.

*Denotes Kempsville Special Order Product



KP165

$7/8'' \times 1^{5/16}''$



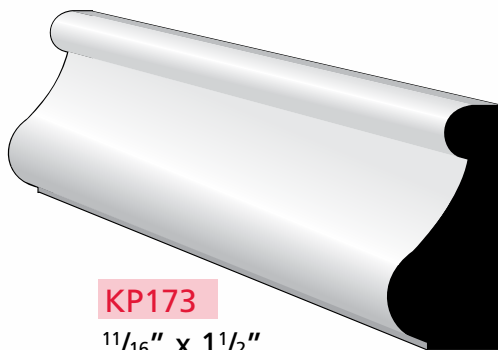
KP166

$3/4'' \times 1^{1/4}''$



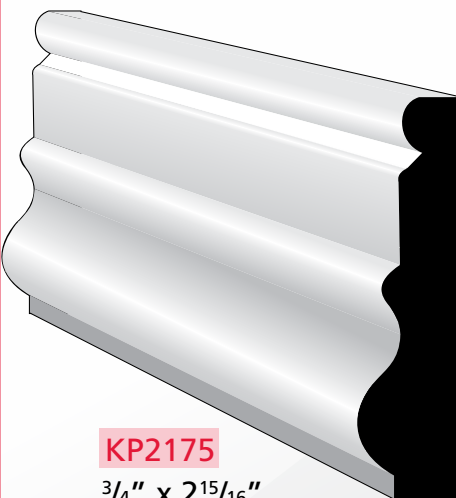
KP167

$1^{1/16}'' \times 1^{1/8}''$



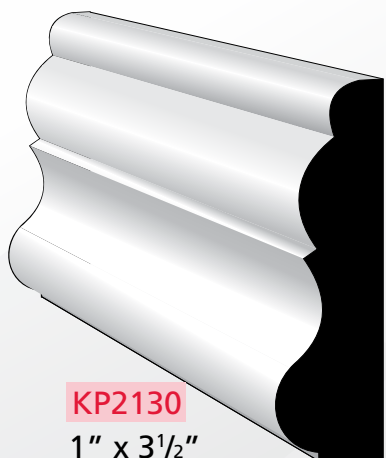
KP173

$1^{1/16}'' \times 1^{1/2}''$



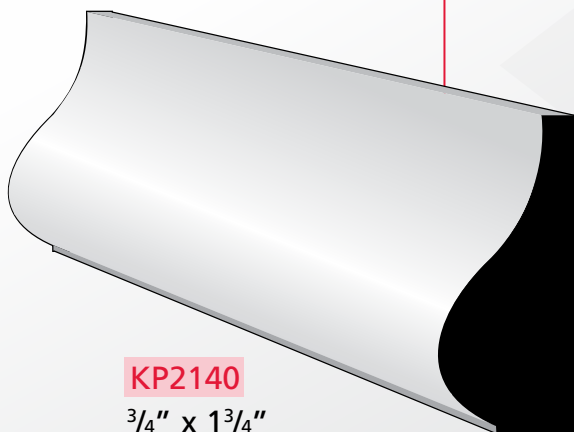
KP2175

$3/4'' \times 2^{15/16}''$



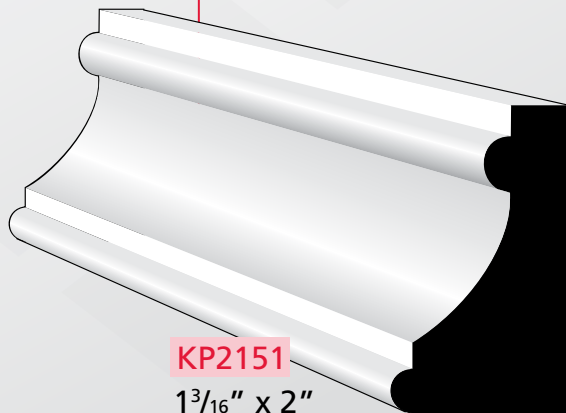
KP2130

$1'' \times 3^{1/2}''$



KP2140

$3/4'' \times 1^{3/4}''$



KP2151

$1^{3/16}'' \times 2''$

Base Cap

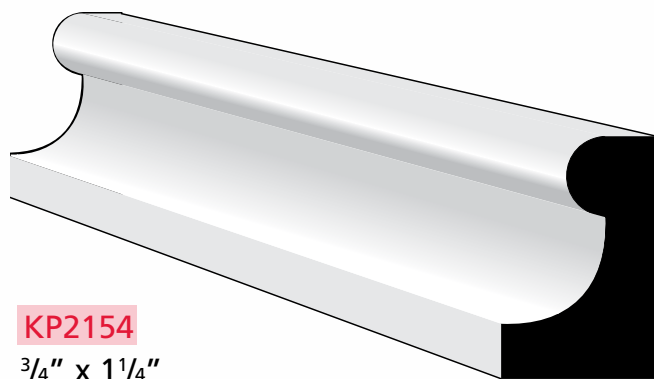
*Denotes Kempsville Special Order Product

18



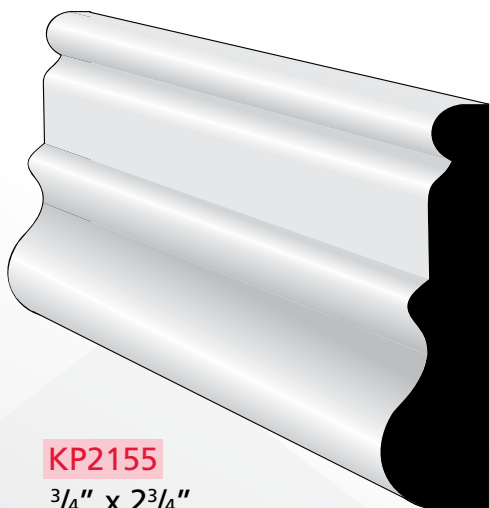
KP2152

$7/8'' \times 1\frac{5}{8}''$



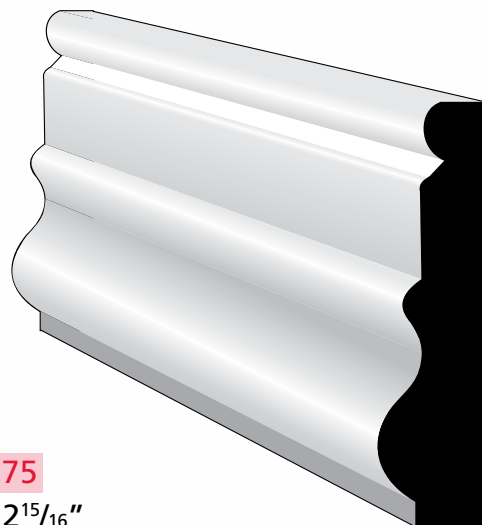
KP2154

$3/4'' \times 1\frac{1}{4}''$



KP2155

$3/4'' \times 2\frac{3}{4}''$



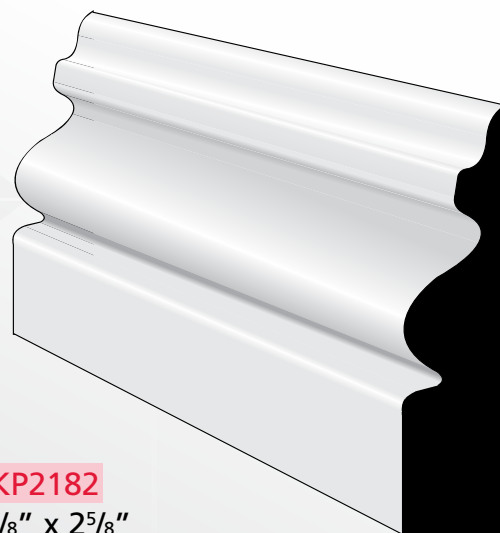
KP2175

$3/4'' \times 2\frac{15}{16}''$



KP2128

$3/4'' \times 1\frac{3}{4}''$



KP2182

$5/8'' \times 2\frac{5}{8}''$

Base Cap



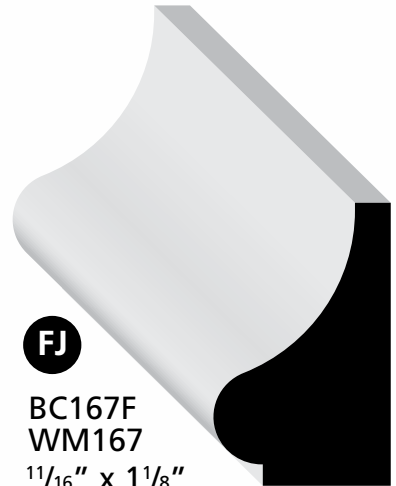
CLR

BC164
WM164
1¹/₁₆" x 1¹/₈"



CLR

BC167
WM167
1¹/₁₆" x 1¹/₈"



FJ

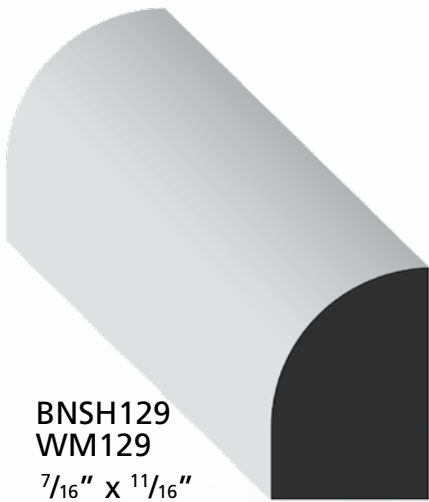
BC167F
WM167
1¹/₁₆" x 1¹/₈"

Base Shoe

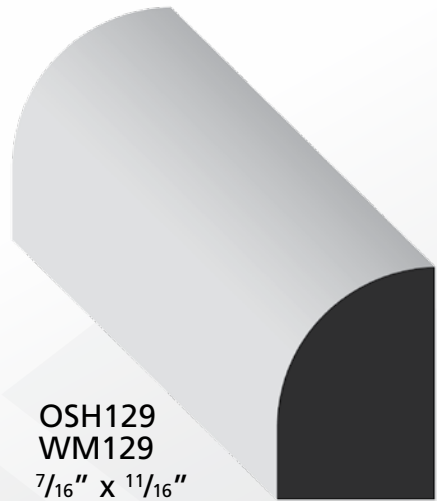
Base Shoes are primarily used to trim flooring materials and are often used in combination with a traditional baseboard to conceal variations between the flooring and the base. This versatile profile works great to solve numerous trimming needs.



*Denotes Kempsville Special Order Product



BNSH129
WM129
7⁷/₁₆" x 1¹/₁₆"



OSH129
WM129
7⁷/₁₆" x 1¹/₁₆"



CLR

SH129
WM129
7⁷/₁₆" x 1¹/₁₆"



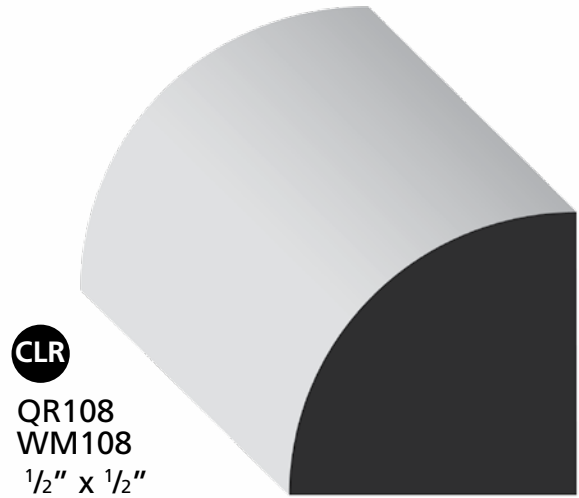
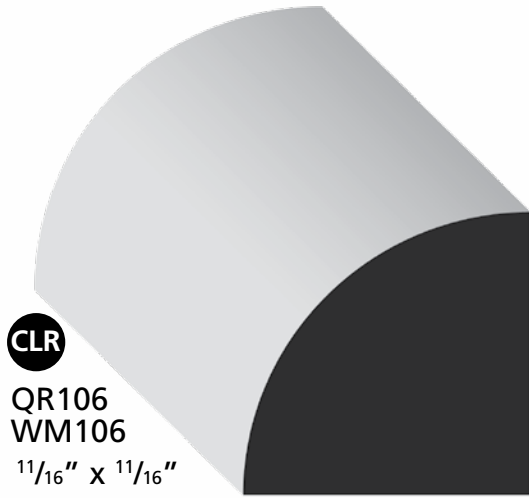
**PRMD
FJ**

SH129FPR
WM129
7⁷/₁₆" x 1¹/₁₆"



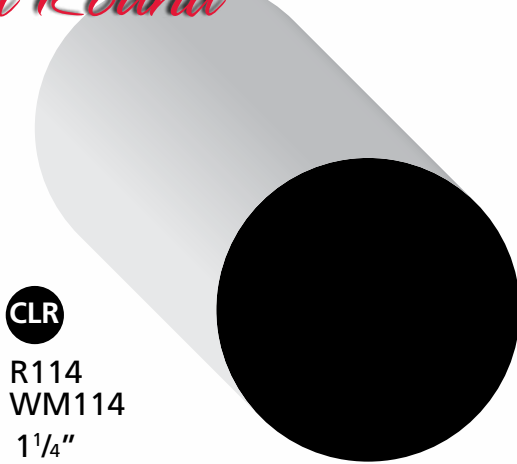
Quarter Round

Quarter Rounds come in several sizes and serve a variety of functions. They are most often used with baseboards.



21

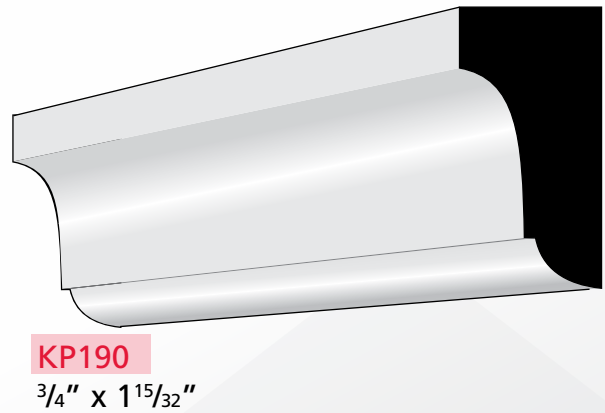
Full Round



Drip Cap



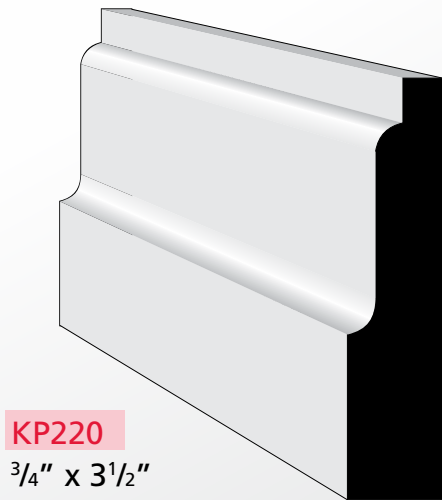
*Denotes Kempsville Special Order Product



Rakes



*Denotes Kempsville Special Order Product





Crown & Bed



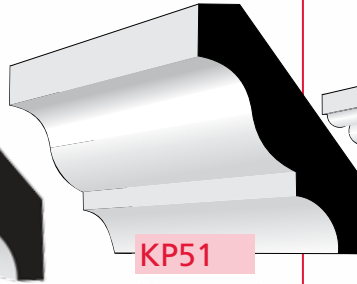
*Denotes Kempsville Special Order Product



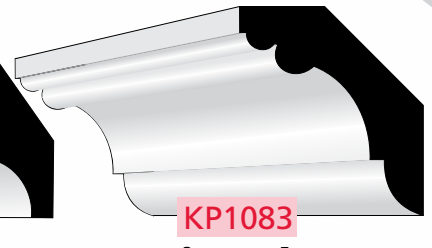
KP45
1 1/16" x 5 1/4"



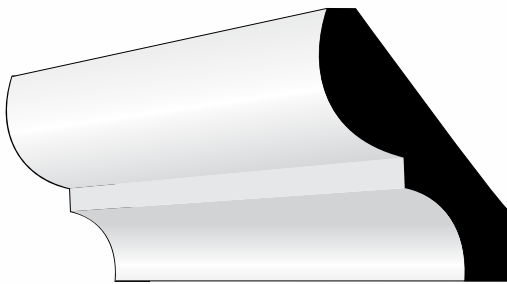
KP48
1 1/16" x 4 1/4"



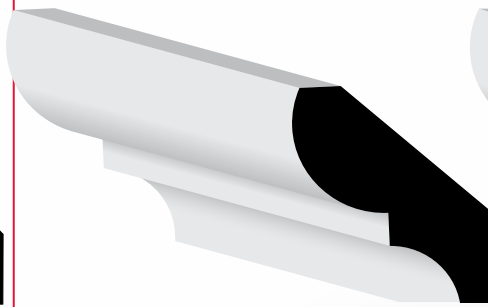
KP51
1 1/16" x 3 1/4"



KP1083
3/4" x 2 5/8"



KP72
9/16" x 2 1/4"



KP74
9/16" x 1 3/4"



CLR
BED74
WM74
9/16" x 1 3/4"

Brick Moulding



**PRMD
FJ**
BED75FPR
WM75
9/16" x 1 5/8"



KP180
1 1/4" x 2"

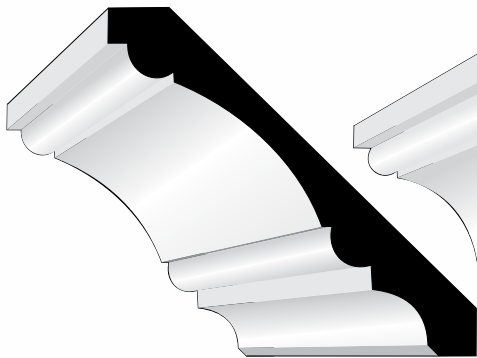


FJ
BM180F
WM180
1 1/4" x 2"

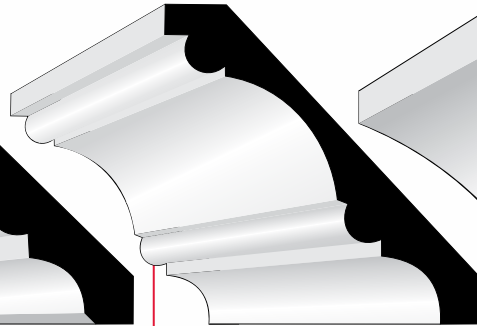


Crown & Cove

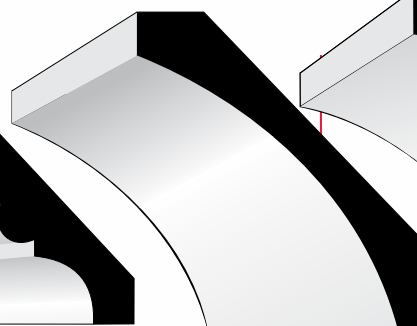
*Denotes Kempsville Special Order Product



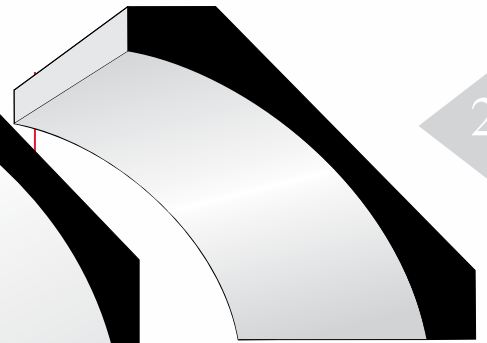
KP56
7/8" x 6 1/4"



KP55
3/4" x 4 5/8"



KP78
1" x 5 1/2"



KP77
15/16" x 5 1/4"



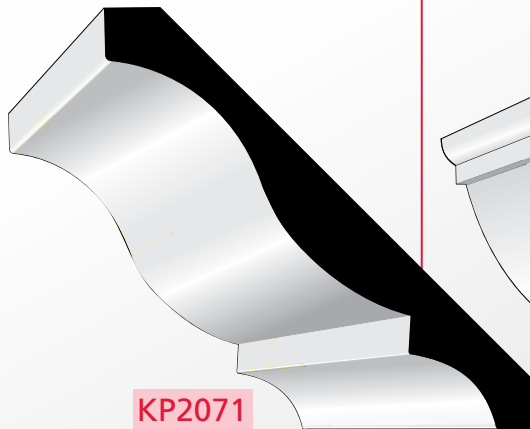
KP2057
1" x 5"



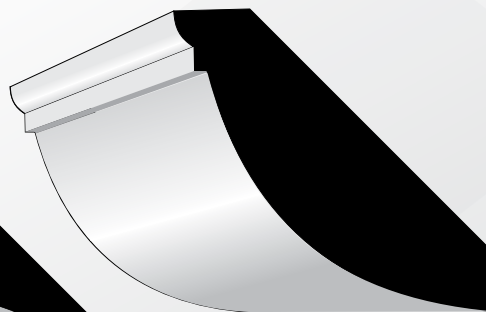
KP2058
1 1/4" x 7 1/4"



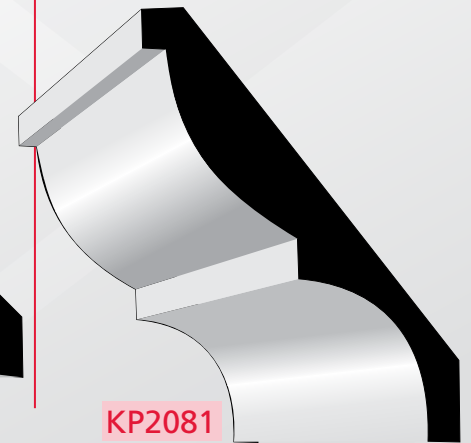
KP2070
1" x 7"



KP2071
7/8" x 7 3/8"



KP2072
1 5/16" x 4 1/2"



KP2081
1" x 6 7/8"

Crown & Cove

*Denotes Kempsville Special Order Product

26

KP2082

$\frac{7}{8}$ " x $5\frac{1}{2}$ "

KP2085

1" x 6"

KP2092

$\frac{7}{8}$ " x $4\frac{1}{4}$ "

KP2095

$\frac{3}{4}$ " x $3\frac{7}{8}$ "

FJ

CR45F
WM45

$\frac{3}{4}$ " x $5\frac{1}{4}$ "

FJ

CRL47F
LWM47

$\frac{9}{16}$ " x $4\frac{5}{8}$ "

CLR

CRL49
LWM49

$\frac{9}{16}$ " x $3\frac{5}{8}$ "

FJ

CRL49F
LWM49

$\frac{9}{16}$ " x $3\frac{5}{8}$ "

CLR

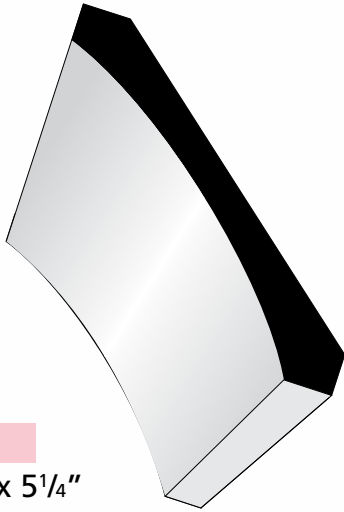
CS995
WM995

$\frac{3}{4}$ " x $\frac{3}{4}$ "

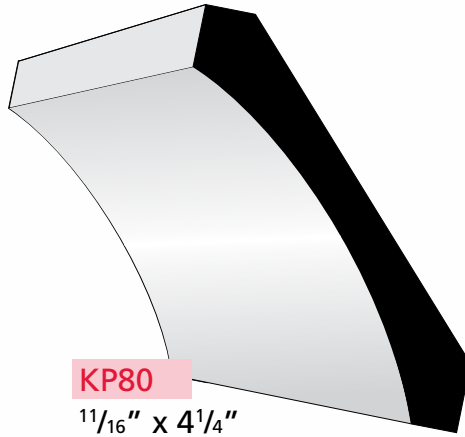
Cove

Coves are commonly used to soften the transition on inside corners but may be used for a wide range of applications.

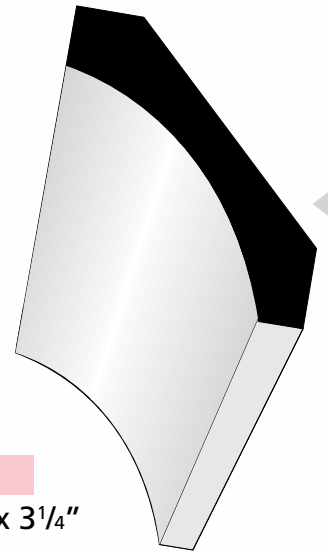
 *Denotes Kempsville Special Order Product



KP79
1¹/₁₆" X 5¹/₄"



KP80
1¹/₁₆" X 4¹/₄"



KP81
1¹/₁₆" X 3¹/₄"



KP85
9¹/₁₆" X 1³/₄"



KP100
1¹/₁₆" X 1¹/₁₆"



CLR
CV100
WM100
1¹/₁₆" X 1¹/₁₆"



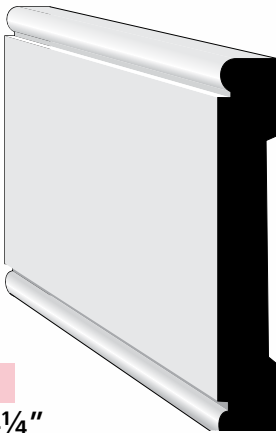
CLR
CV86
WM86
9¹/₁₆" X 1⁵/₈"



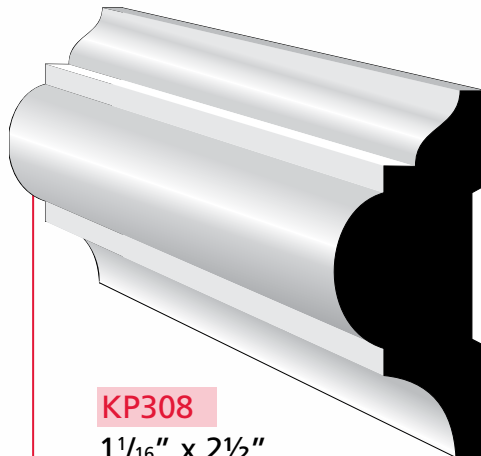
Chair Rail

Chair Rails are practical as well as decorative. Applied to a wall, from 24 to 48 inches up from the floor, they protect the wall from scuffs and dents from the backs of chairs as well as adding a distinctive accent to any room.

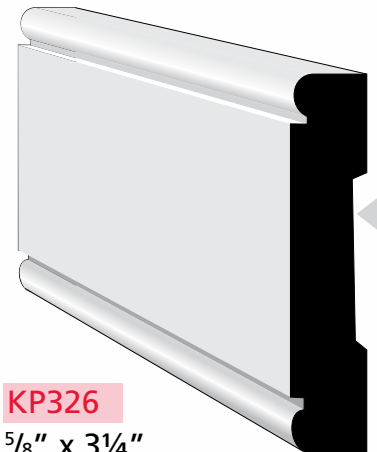
*Denotes Kempsville Special Order Product



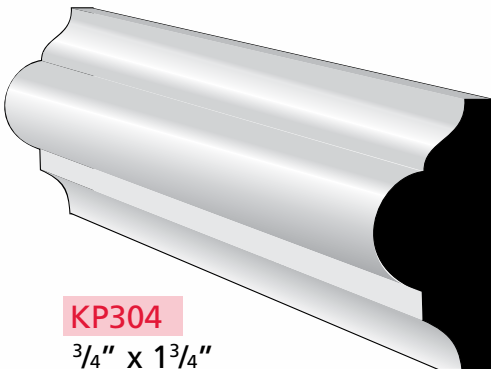
KP328
5/8" x 4 1/4"



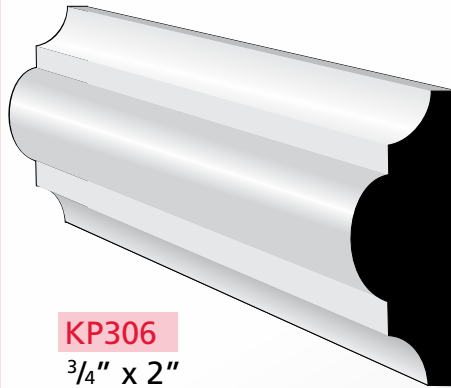
KP308
1 1/16" x 2 1/2"



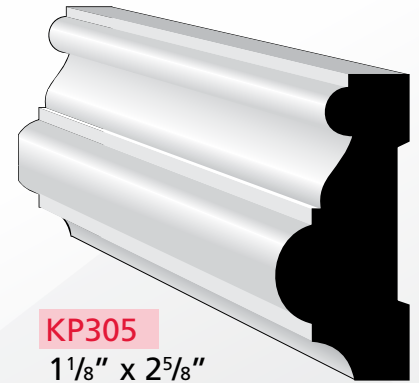
KP326
5/8" x 3 1/4"



KP304
3/4" x 1 3/4"



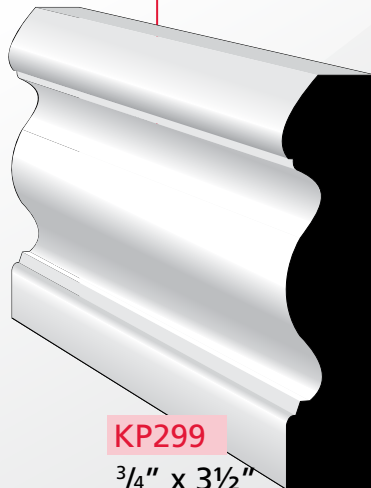
KP306
3/4" x 2"



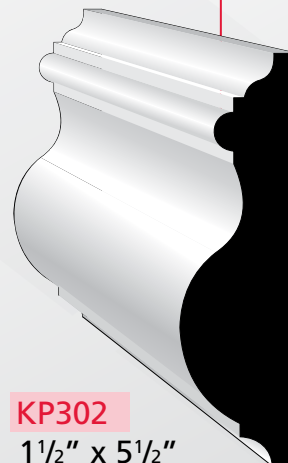
KP305
1 1/8" x 2 5/8"



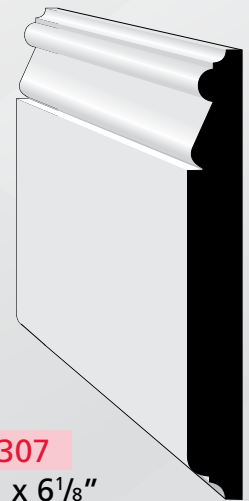
KP301
1 1/8" x 3 1/4"



KP299
3/4" x 3 1/2"



KP302
1 1/2" x 5 1/2"



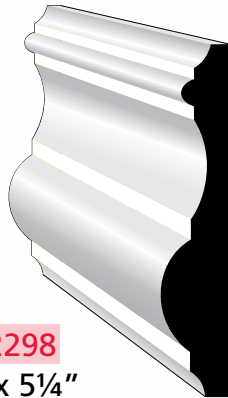
KP307
3/4" x 6 1/8"

Chair Rail

Chair Rails are practical as well as decorative. Applied to a wall, from 24 to 48 inches up from the floor, they protect the wall from scuffs and dents from the backs of chairs as well as adding a distinctive accent to any room.

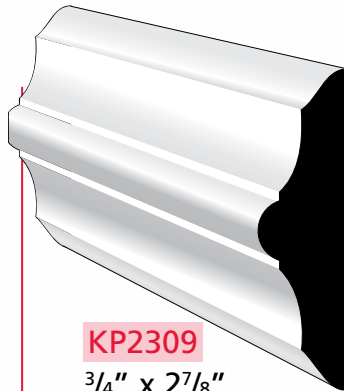
*Denotes Kempsville Special Order Product

30



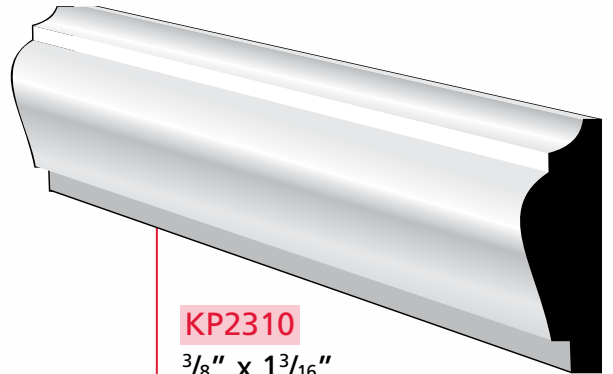
KP2298

1" x 5 1/4"



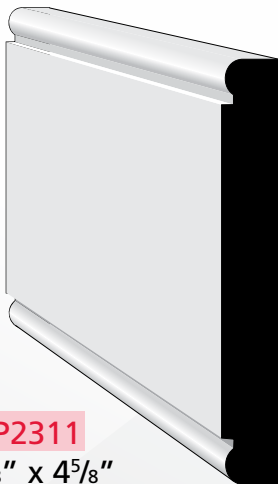
KP2309

3/4" x 2 7/8"



KP2310

3/8" x 1 3/16"



KP2311

5/8" x 4 5/8"



CLR

CH297
WM297

1 1/16" x 3"



FJ

CH297F
WM297

1 1/16" x 3"



FJ

CH300F
WM300

1 1/16" x 3"



PRMD

MDFCH300PR
WM300

1 1/16" x 3"



CLR

CH302
WM302

1 1/16" x 2 3/4"



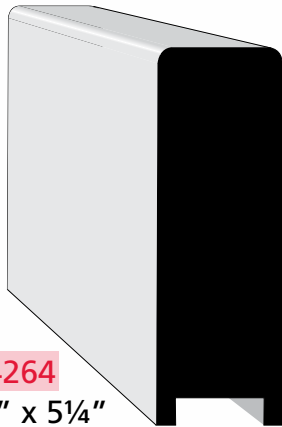
FJ

CH302F
WM302

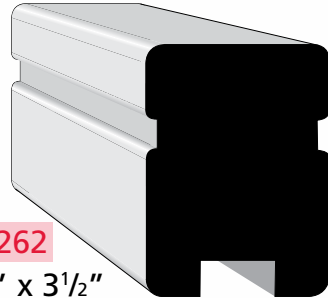
1 1/16" x 2 3/4"

Hand Rail

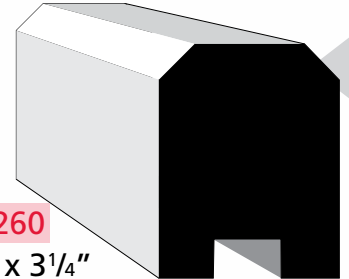
*Denotes Kempsville Special Order Product



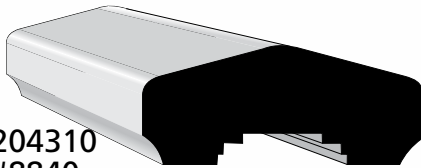
KP4264
1 3/4" x 5 1/4"



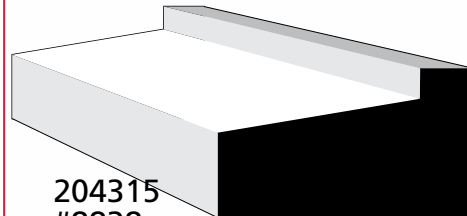
KP4262
2 9/16" x 3 1/2"



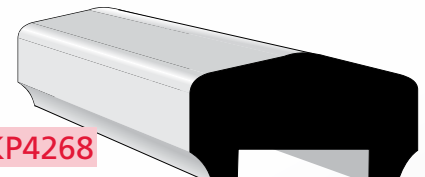
KP4260
2 1/2" x 3 1/4"



204310
#8840



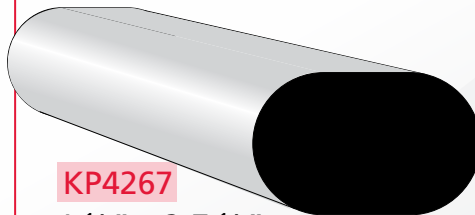
204315
#8838



KP4268
1 7/16" x 2 5/8"



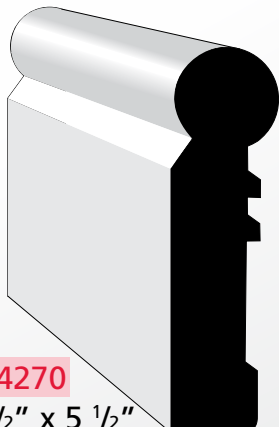
KP4268 - B
1 1/4" x 5 1/4"



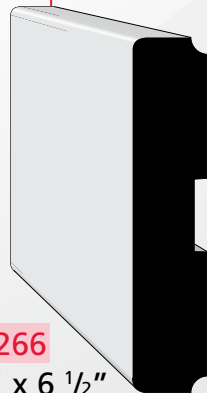
KP4267
1 1/4" x 2-7 1/4"



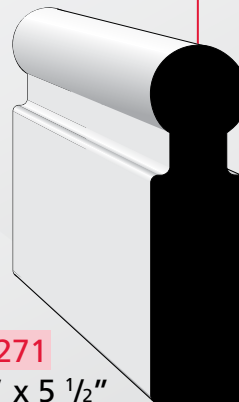
KP4265
1 3/8" x 2-3"



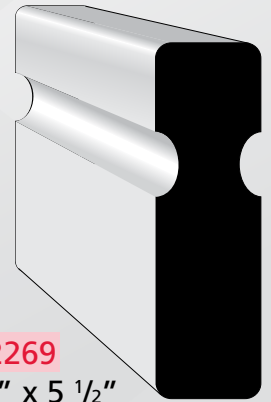
KP4270
1 1/2" x 5 1/2"



KP4266
1 3/8" x 6 1/2"



KP2271
1 1/2" x 5 1/2"

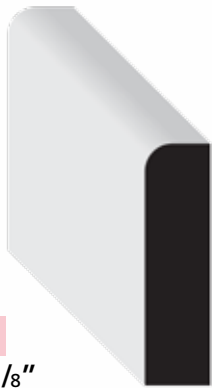


KP2269
1 5/8" x 5 1/2"



Stops

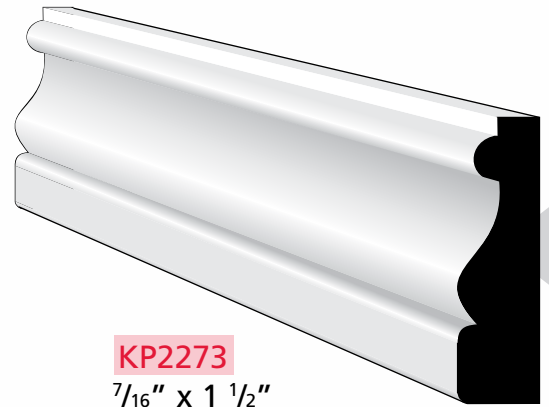
*Denotes Kempsville Special Order Product



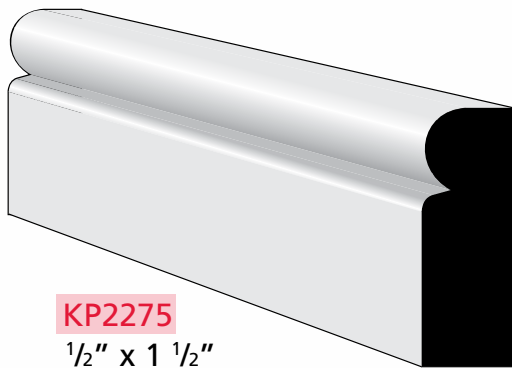
KP888
3/8" x 1 1/8"



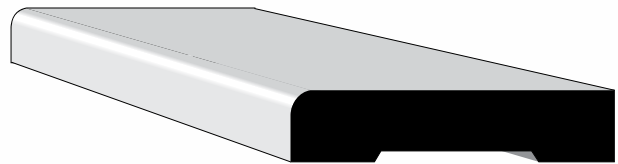
KP948
3/8" x 1 1/8"



KP2273
7/16" x 1 1/2"



KP2275
1/2" x 1 1/2"



KP863
1/2" x 2 1/4"



CLR
S888
WM888
3/8" x 1 1/8"



CLR
S936
WM936
7/16" x 1 3/8"

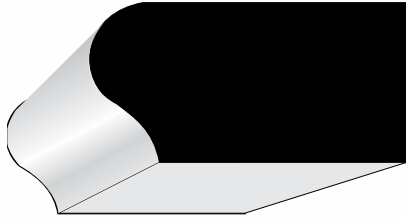


CLR
S946
WM946
3/8" x 1 3/8"

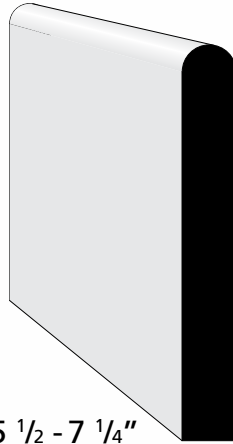


CLR
S952
WM952
3/8" x 5/8"

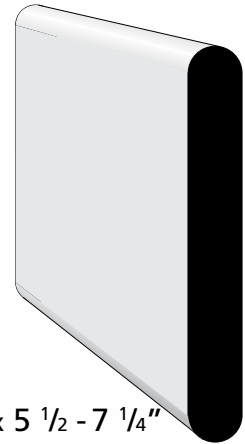




KP2123
1" x 3-7"



N1E
 $\frac{3}{4}" \times 5 \frac{1}{2} - 7 \frac{1}{4}"$

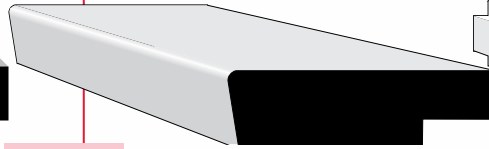


N2E
 $\frac{3}{4}" \times 5 \frac{1}{2} - 7 \frac{1}{4}"$

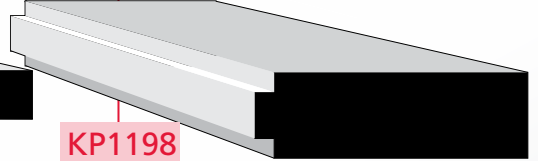
35



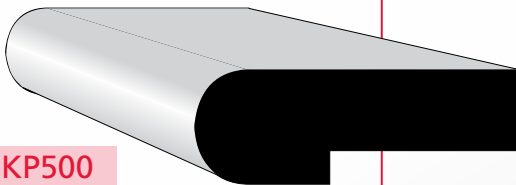
KP1021
 $\frac{1}{16}"$



KP1197
 $\frac{1}{16}" \times 2 \frac{3}{8}"$



KP1198
 $\frac{1}{16}" \times 2 \frac{3}{16}"$



KP500
 $1 \frac{1}{16}" \times 3 \text{ or } 5 \frac{1}{4}"$



FJ
SL1021514F
WM1021
 $\frac{1}{16}" \times 5 \frac{1}{4}"$



CLR
SL1163
WM1163
 $\frac{1}{16}" \times 3 \frac{1}{4}"$

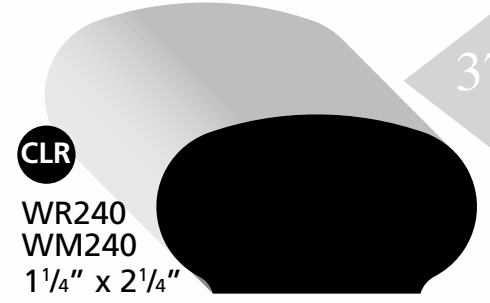
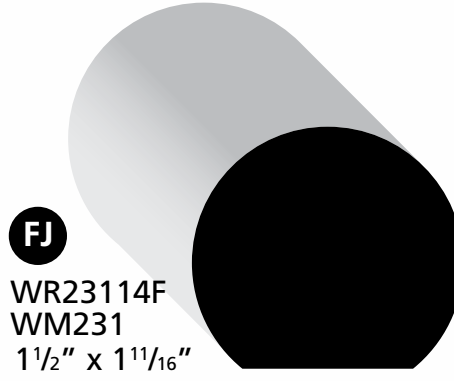
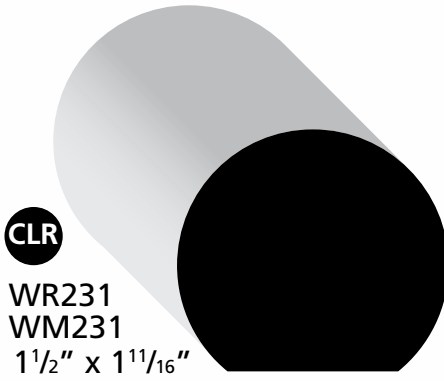


FJ
SL1163F
WM1163
 $\frac{1}{16}" \times 3 \frac{1}{4}"$

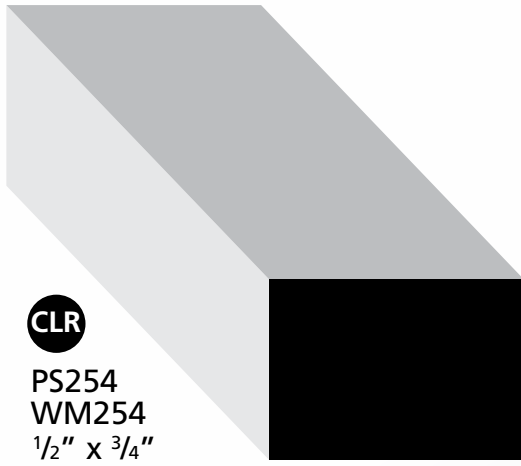


Wall Rail

*Denotes Kempsville Special Order Product



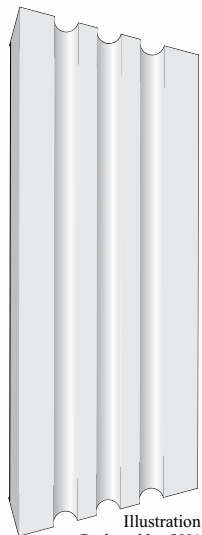
37





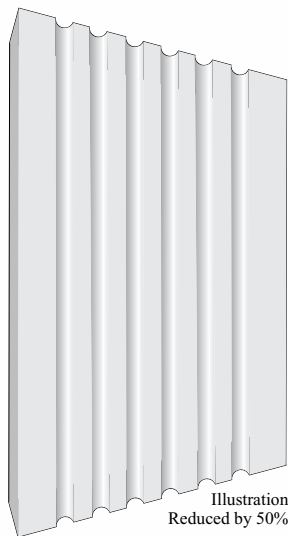
Fluted Pilaster

*Denotes Kempsville Special Order Product



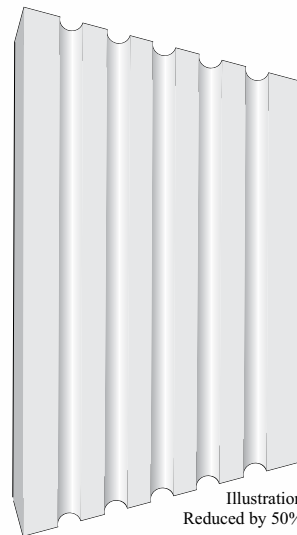
KP4202

$3/4'' \times 3 1/2''$



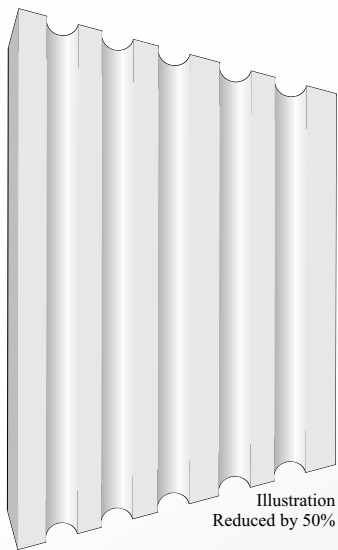
KP4200

$1 1/16'' \times 5 1/4''$



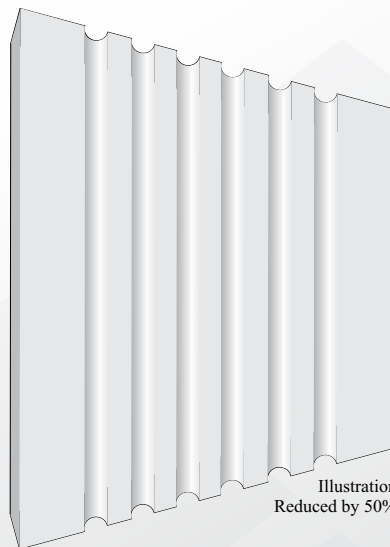
KP4204

$1 1/16'' \times 5 1/2''$



KP4208

$1 1/16'' \times 5 1/2''$

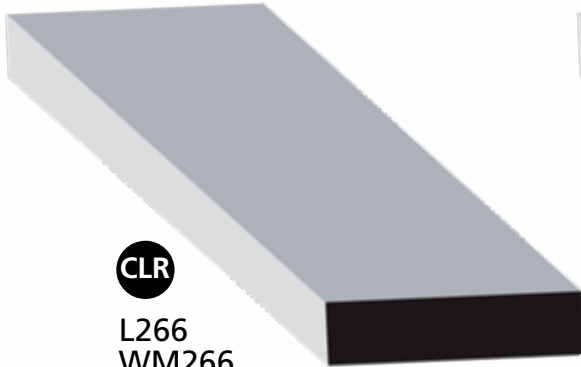


KP4212

$1 1/16'' \times 7 1/4''$

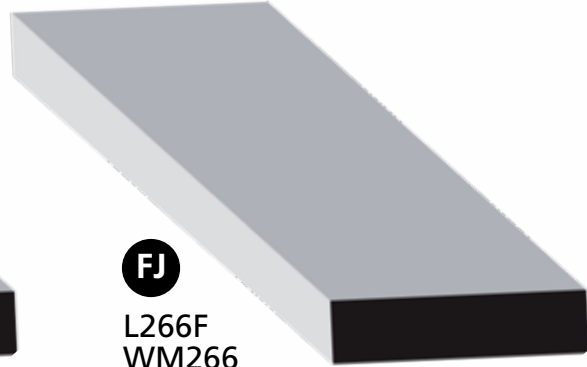


Lattice



CLR

L266
WM266
 $\frac{9}{32}'' \times 1\frac{5}{8}''$

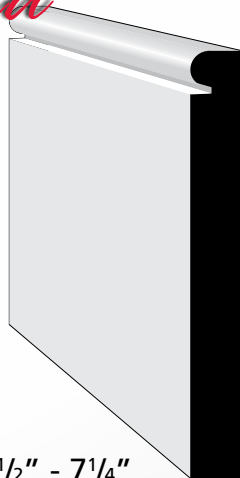


FJ

L266F
WM266
 $\frac{9}{32}'' \times 1\frac{5}{8}''$

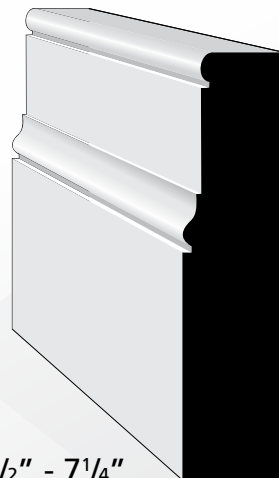
Bead Fascia

*Denotes Kempsville Special Order Product



KP4300

$1\frac{1}{16}'' \times 3\frac{1}{2}'' - 5\frac{1}{2}'' - 7\frac{1}{4}''$



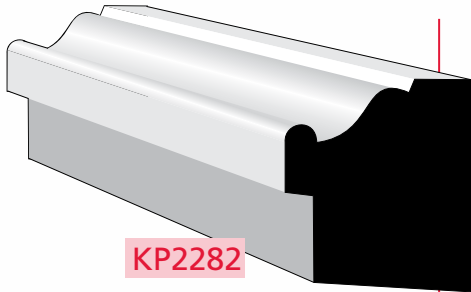
KP4320

$1\frac{5}{16}'' \times 5\frac{1}{2}'' - 7\frac{1}{4}''$



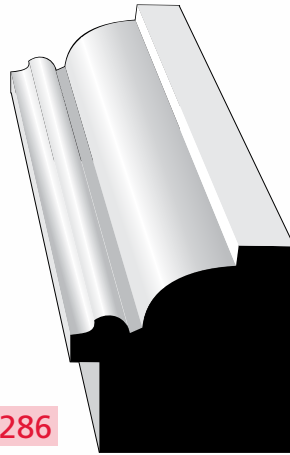
Back Band

*Denotes Kempsville Special Order Product



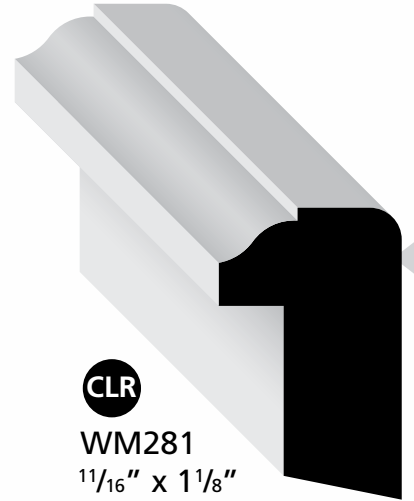
KP2282

1⁵/₈" x 1⁷/₁₆"



KP2286

1³/₄" x 1⁷/₈"

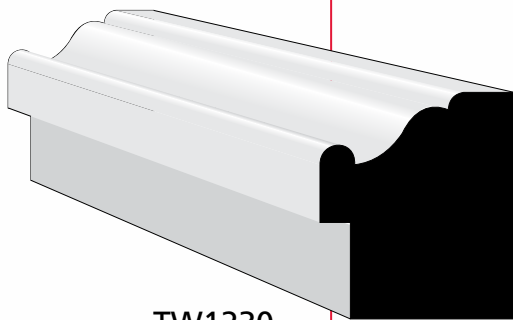


CLR

WM281

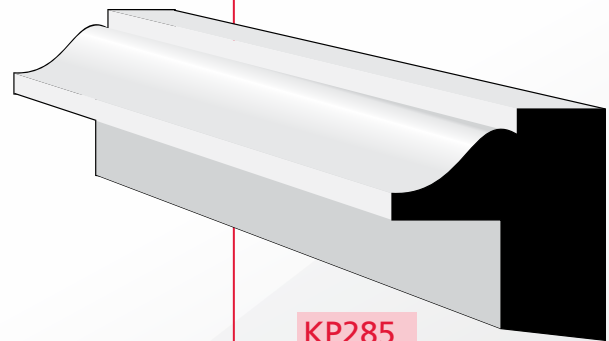
1¹/₁₆" x 1¹/₈"

43



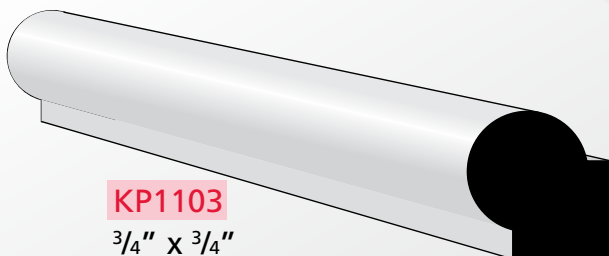
TW1230

1³/₈" x 1⁵/₈"



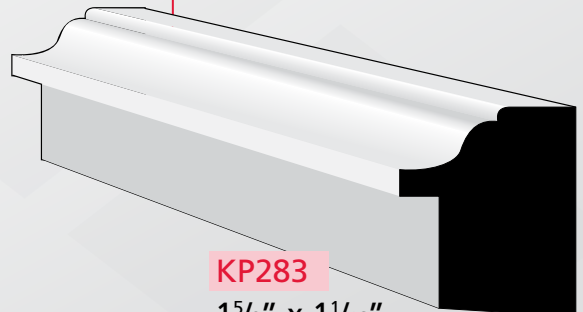
KP285

1¹/₄" x 1⁵/₁₆"



KP1103

3³/₄" x 3³/₄"



KP283

1⁵/₈" x 1¹/₁₆"



Shiplap

*Denotes Kempsville Special Order Product

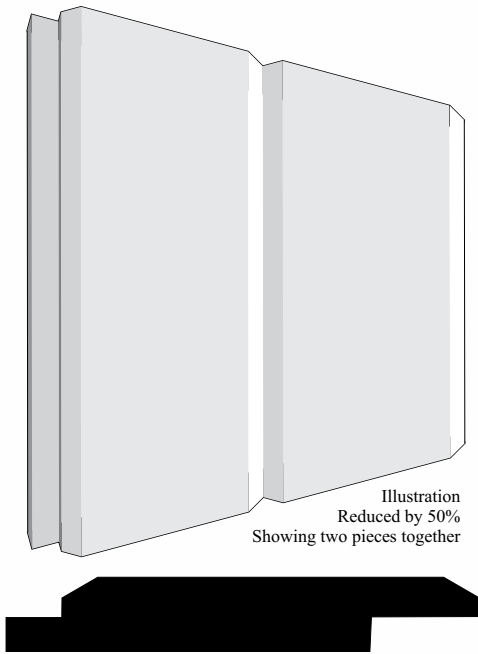


Illustration
Reduced by 50%
Showing two pieces together

KP4141

$1\frac{1}{16}''$ x 3'' thru $6\frac{3}{4}''$

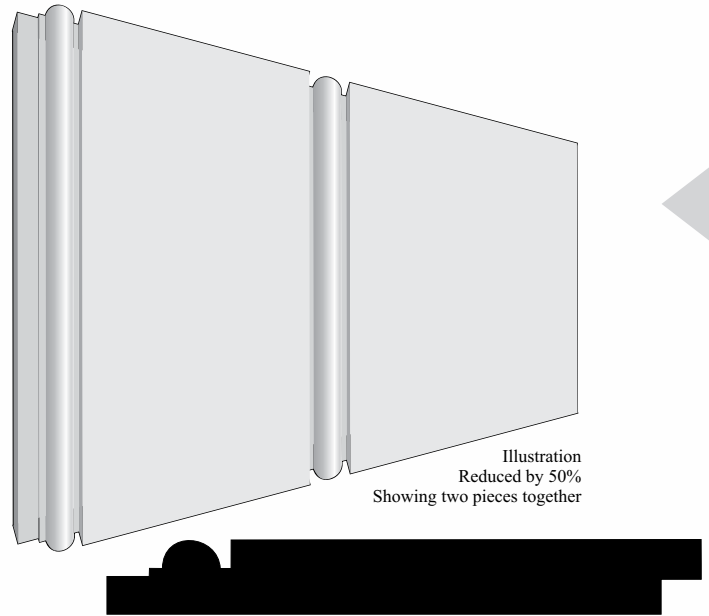


Illustration
Reduced by 50%
Showing two pieces together

KP4147

$1\frac{1}{16}''$ x 3'' thru $6\frac{3}{4}''$

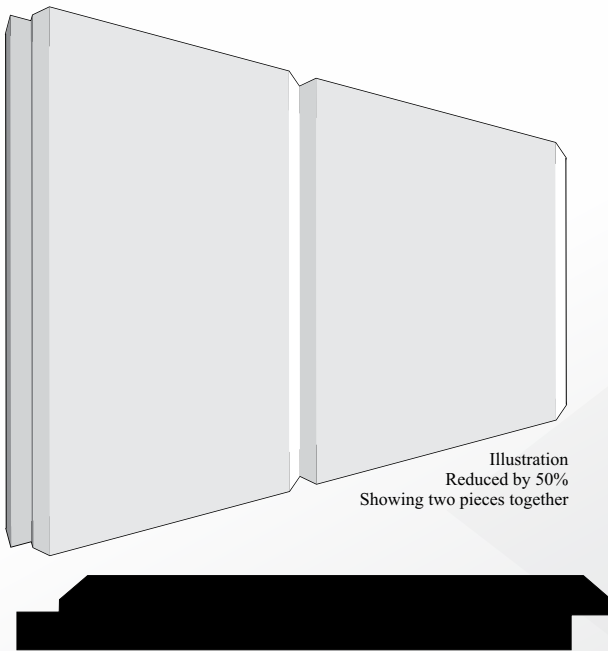


Illustration
Reduced by 50%
Showing two pieces together

KP4121

$1\frac{1}{16}''$ x 3'' thru $6\frac{3}{4}''$

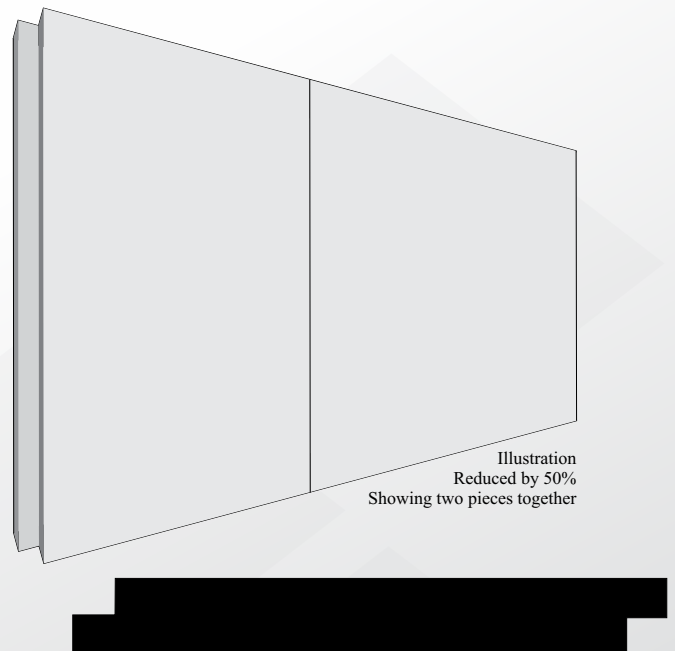


Illustration
Reduced by 50%
Showing two pieces together

KP4151

$1\frac{1}{16}''$ x 3'' thru $6\frac{3}{4}''$

Shiplap

*Denotes Kempsville Special Order Product

46

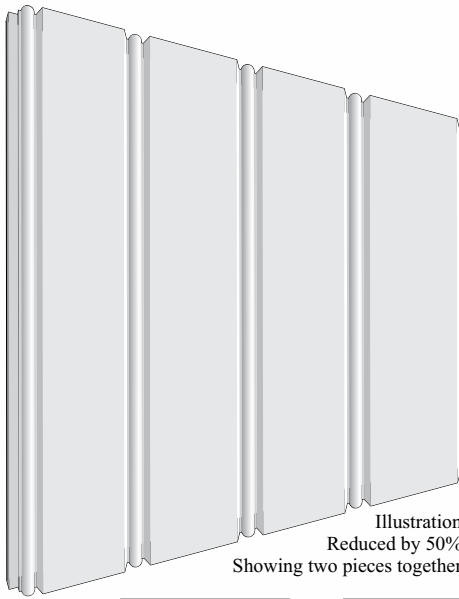


Illustration
Reduced by 50%
Showing two pieces together

KP4060

$\frac{3}{8}$ " x 4"

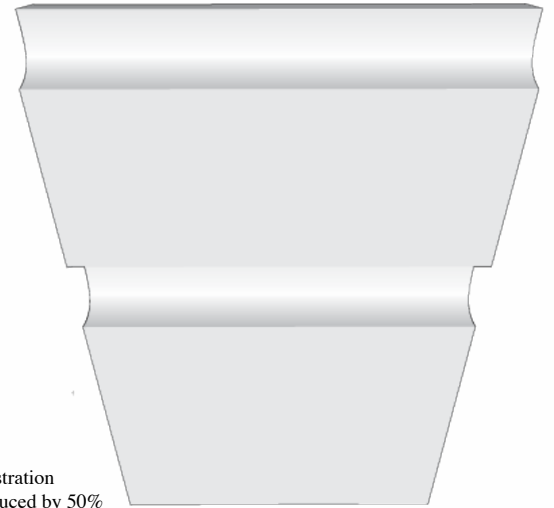


Illustration
Reduced by 50%
Showing two pieces together

KP4105

$\frac{23}{32}$ " x $5\frac{3}{8}$ "



Illustration
Reduced by 50%
Showing two pieces together

KP4145

$\frac{11}{16}$ " x $7\frac{1}{4}$ "

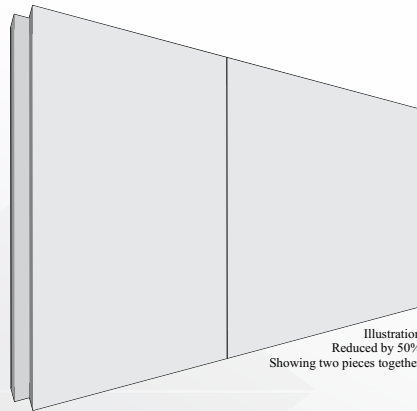


Illustration
Reduced by 50%
Showing two pieces together

KP4171

$1\frac{3}{8}$ " x $5\frac{3}{8}$ "

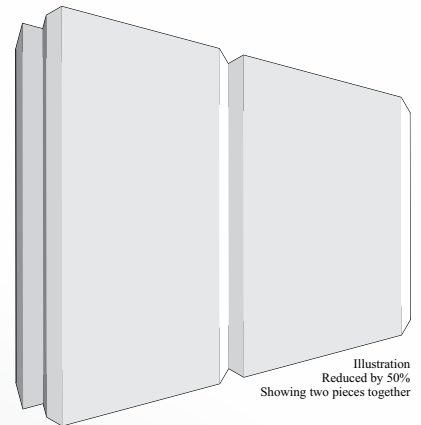


Illustration
Reduced by 50%
Showing two pieces together

KP4173

$1\frac{3}{8}$ " x $5\frac{3}{8}$ "

Tongue & Groove

*Denotes Kempsville Special Order Product



Illustration
Reduced by 50%
Showing two pieces together



KP4087

$\frac{1}{2}'' \times 3\frac{1}{2}''$



Illustration
Reduced by 50%
Showing two pieces together



KP4152

$\frac{1}{16}'' \times 3\frac{1}{4}'' - 5\frac{1}{4}'' - 7''$

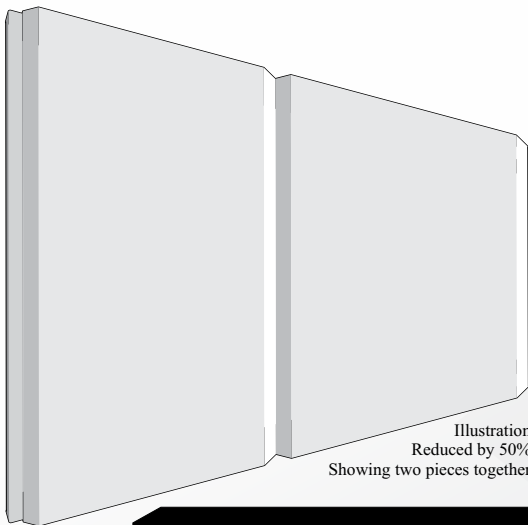


Illustration
Reduced by 50%
Showing two pieces together



KP4122

$\frac{1}{16}'' \times 3\frac{1}{4}'' - 5\frac{1}{4}'' - 7''$

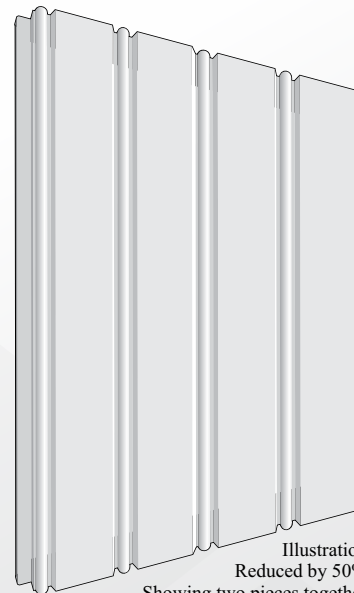


Illustration
Reduced by 50%
Showing two pieces together



KP4090

$\frac{5}{8}'' \times 3\frac{1}{8}''$

Tongue & Groove

*Denotes Kempsville Special Order Product

48

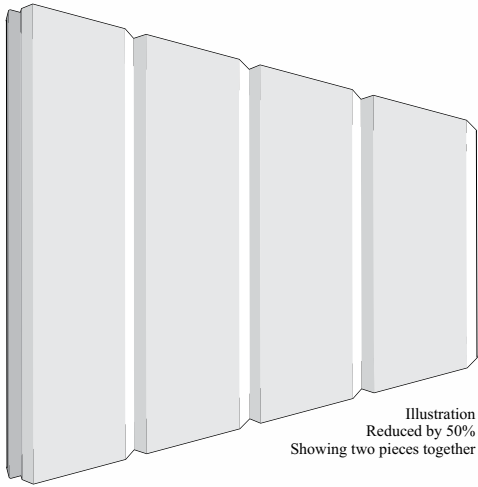


Illustration
Reduced by 50%
Showing two pieces together



KP4123

$2\frac{3}{32}'' \times 5\frac{3}{8}''$

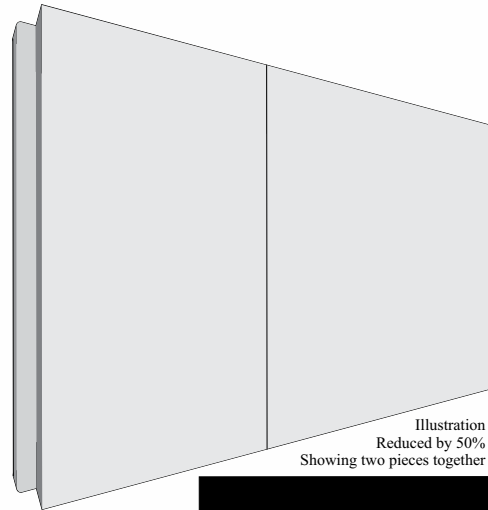


Illustration
Reduced by 50%
Showing two pieces together



KP4172

$1\frac{3}{8}'' \times 3\frac{1}{4}'' - 5\frac{1}{4}'' - 7''$

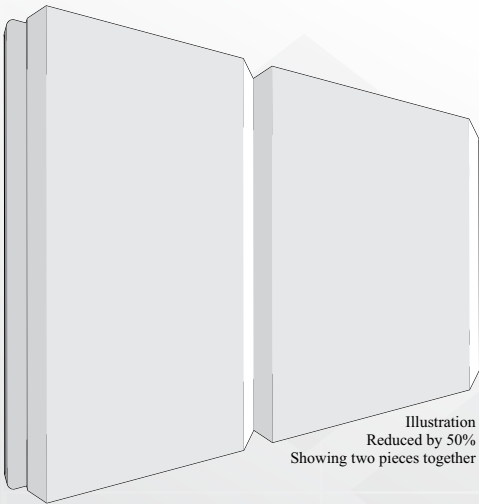
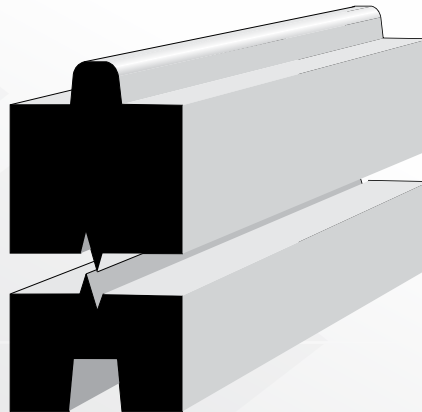


Illustration
Reduced by 50%
Showing two pieces together



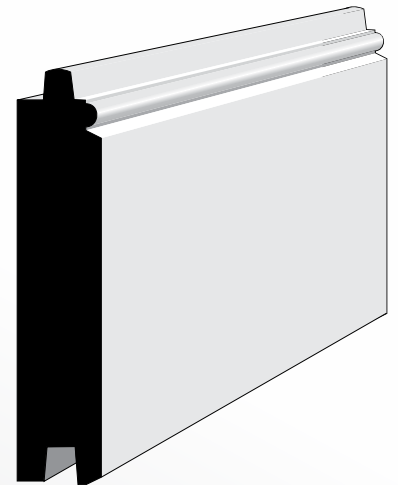
KP4182

$1\frac{3}{8}'' \times 3\frac{1}{4}'' - 5\frac{1}{4}'' - 7''$



KP2902

$1\frac{1}{2}'' \times 3\frac{1}{4}'' - 7\frac{1}{4}''$



KP2943

$1\frac{1}{16}'' \times 3\frac{1}{8}''$

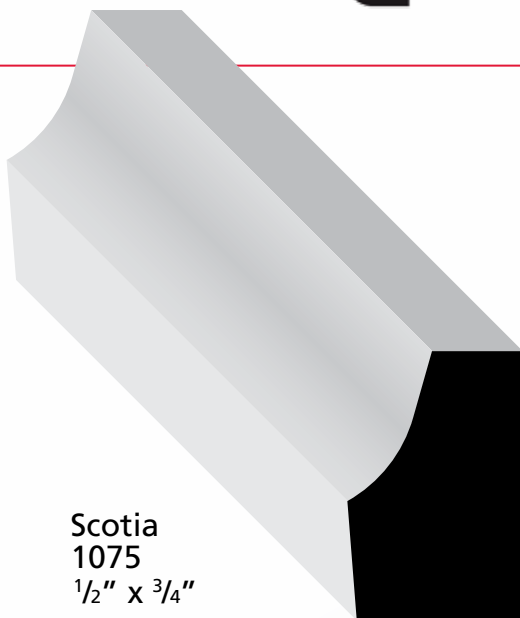
Miscellaneous



WM956
3/8" x 2"



WM1196
1 1/16" x 1 15/16"



Scotia
1075
1/2" x 3/4"



WM142
1/4" x 3/4"

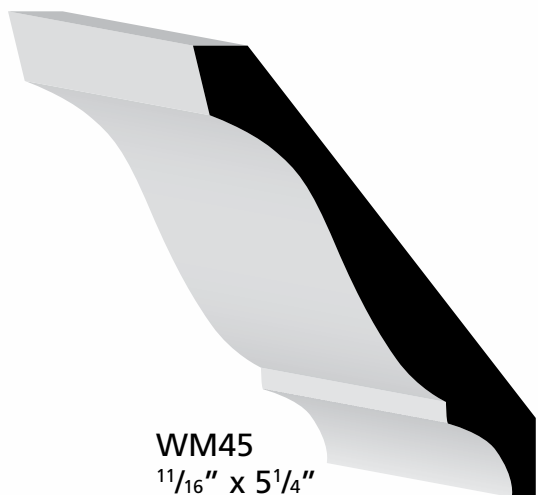


KP2248
3/4" x 1 7/8"

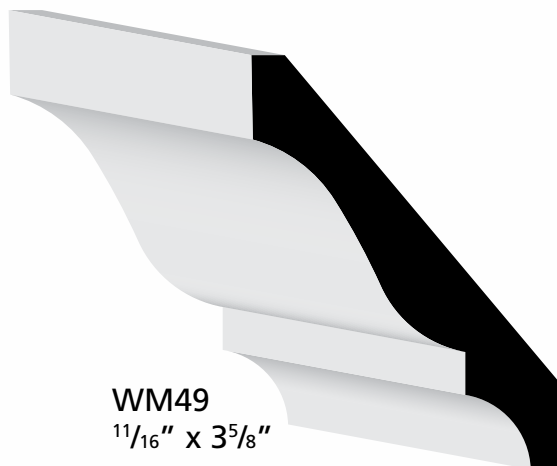


PVC Trim

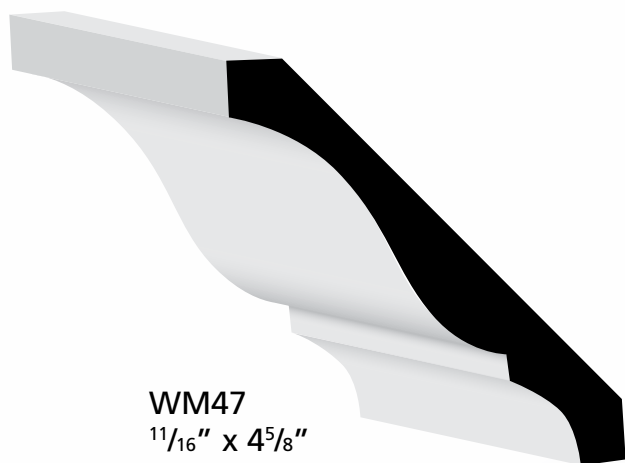
*Denotes Kempsville Special Order Product



WM45
1¹/₁₆" x 5¹/₄"



WM49
1¹/₁₆" x 3⁵/₈"



WM47
1¹/₁₆" x 4⁵/₈"



2590
1³/₁₆" x 4¹/₂"



WM180
1¹/₄" x 2"



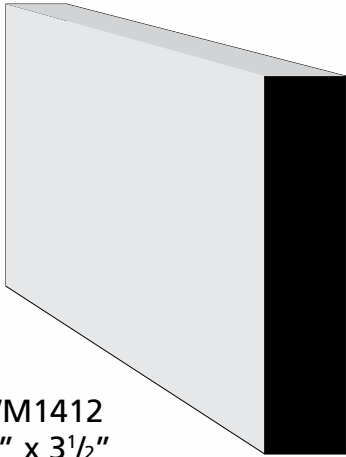
WM75
1¹/₁₆" x 5¹/₄"



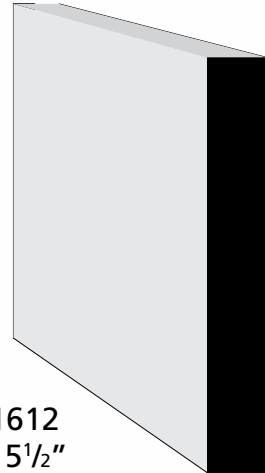
Flexible Trim



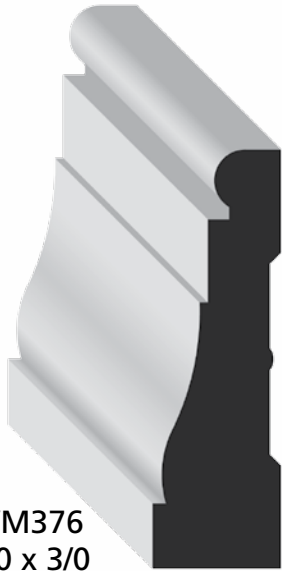
*Denotes Kempsville Special Order Product



WM1412
3/4" x 3 1/2"



WM1612
3/4" x 5 1/2"



WM376
2/0 x 3/0



WM376
6/0



WM445
3/0



WM445
40



WM445
5/0



WM445
6/0



Index

Hardwood Mouldings

Casing

KP2351.....	3
KP2356.....	3
KP2362.....	3
KP2368.....	3
KP2387.....	3
KP2390.....	3
KP2391.....	3
KP2396.....	3
KP2550.....	3
KP2581.....	4
KP2582.....	4
KP2585.....	4
KP2591.....	4
KP2380.....	4
KP2343.....	4
KP366.....	4
KP327.....	4
KP332.....	4
KP325.....	5
KP356.....	5
KP376.....	5
KP387.....	5
KP445.....	5
KP583.....	5
KP342.....	5
KP588.....	5
KP380.....	5
KP430.....	5
KP553.....	6
KP322.....	6
KP453.....	6
KP377.....	6
KP176.....	6
KP450.....	6
KP393.....	6
KP425.....	6
KP455.....	6
KP460.....	6
TW1229.....	7
WM327.....	7
WM376.....	7
WM445.....	7
C97F.....	7

Mullion

WM954.....	9
WM959.....	9
WM972.....	9
WM987.....	9
KP956.....	9
KP988.....	9

Corner

WM205.....	9
------------	---

Base

KP753.....	11
KP750.....	11
KP748.....	11
KP713.....	11
KP710.....	11
KP708.....	11
KP688.....	11
KP698.....	11
KP623.....	11
KP620.....	12
KP618.....	12
KP643.....	12
KP640.....	12
KP638.....	12
KP673.....	12
KP670.....	12
KP668.....	12
KP678.....	12
KP680.....	13
KP653.....	13
KP646.....	13
KP647.....	13
KP700.....	13
KP2780.....	13
KP2641.....	13
KP2642.....	13
KP2671.....	14
KP2692.....	14
KP2696.....	14
KP2751.....	14
KP2752.....	14

KP2753.....	14
KP2755.....	14
KP2760.....	14
KP2782.....	14
KP2784.....	14
#163E.....	15
WM620.....	15
WM623.....	15
WM713.....	15

Base Cap

KP165.....	17
KP166.....	17
KP167.....	17
KP173.....	17
KP2175.....	17
KP2130.....	17
KP2140.....	17
KP2151.....	17
KP2152.....	18
KP2154.....	18
KP2155.....	18
KP2175.....	18
KP2128.....	18
KP2182.....	18
WM164.....	19
WM167.....	19

Base Shoe

WM129.....	19
------------	----

Quarter Round

WM106.....	21
WM108.....	21

Full Round

WM114.....	21
------------	----

Drip Cap

KP190.....	21
------------	----

Rakes

KP220.....	21
WM210.....	21

Index (cont.)

Hardwood Mouldings

Crown & Bed

KP45.....	23
KP48.....	23
KP51.....	23
KP1083.....	23
KP72.....	23
KP74.....	23
WM74.....	23
WM75.....	23

Brick Moulding

KP180.....	23
WM180.....	23

Crown & Cove

KP56.....	25
KP55.....	25
KP78.....	25
KP77.....	25
KP2057.....	25
KP2058.....	25
KP2070.....	25
KP2071.....	25
KP2072.....	25
KP2081.....	25
KP2082.....	26
KP2085.....	26
KP2092.....	26
KP2095.....	26
WM45.....	26
LWM47.....	26
LWM49.....	26
WM995.....	26

Cove

KP79.....	28
KP80.....	28
KP81.....	28
KP85.....	28
KP100.....	28
WM100.....	28
WM86.....	28

Chair Rail

KP328.....	29
KP308.....	29
KP326.....	29
KP304.....	29
KP306.....	29
KP305.....	29
KP301.....	29
KP299.....	29
KP302.....	29
KP307.....	29
KP2298.....	30
KP2309.....	30
KP2310.....	30
KP2311.....	30
WM297.....	30
WM300.....	30
WM302.....	30

Hand Rail

KP4264.....	31
KP4262.....	31
KP4260.....	31
#8840.....	31
#8838.....	31
KP4268.....	31
KP4268-B.....	31
KP4267.....	31
4265.....	31
KP4270.....	31
KP4266.....	31
KP2271.....	31
KP2269.....	31

Stops

KP888.....	33
KP948.....	33
KP2273.....	33
KP2275.....	33
KP863.....	33
WM888.....	33
WM936.....	33
WM946.....	33

WM942.....	33
------------	----

Stools

KP2123.....	35
N1E.....	35
N2E.....	35
KP1021.....	35
KP1197.....	35
KP1198.....	35
KP500.....	35
WM1021.....	35
WM1163.....	35

Wall Rail

WM231.....	37
WM240.....	37
WM254.....	37

Fluted Pilaster

KP4202.....	39
KP4200.....	39
KP4204.....	39
KP4208.....	39
KP4212.....	39

Lattice

WM266.....	41
------------	----

Bead Fascia

KP4300.....	41
KP4320.....	41

Back Band

KP2282.....	43
KP2286.....	43
TW1230.....	43
WM281.....	43
KP1103.....	43
KP283.....	43
KP285.....	43

Index (cont.)

Hardwood Mouldings

Shiplap

KP4141.....	45
KP4147.....	45
KP4121.....	45
KP4151.....	45
KP4060.....	46
KP4105.....	46
KP4145.....	46
KP4171.....	46
KP4173.....	46

Tongue & Groove

KP4087.....	47
KP4152.....	47
KP4122.....	47
KP4090.....	47
KP4123.....	48
KP4172.....	48
KP4182.....	48
KP2902.....	48
KP2943.....	48

Misc

WM956.....	49
WM1196.....	49
1075.....	49
WM142.....	49
KP2248.....	49

PVC Trim

WM45.....	51
WM49.....	51
WM47.....	51
WM2590.....	51
WM180.....	51
WM75.....	51

Flexible Trim

WM1412.....	53
WM1612.....	53
WM376.....	53
WM445.....	53

