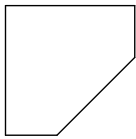
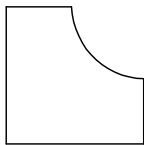


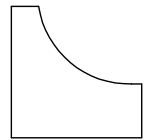
COVE 30631 5/8" X 5/8"



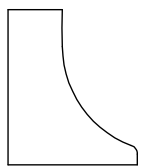
COVE 30632 5/8" X 5/8" FS45-2



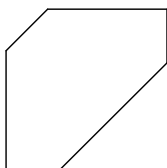
COVE 30633 5/8" X 5/8"



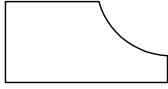
COVE 30634 5/8" X 5/8"



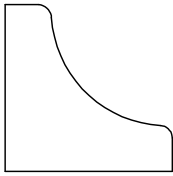
COVE 30752 3/4" X 5/8"



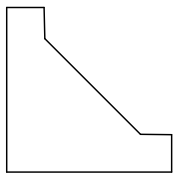
COVE 30753 3/4" X 3/4"



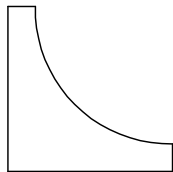
COVE 30754 3/8" X 3/4"



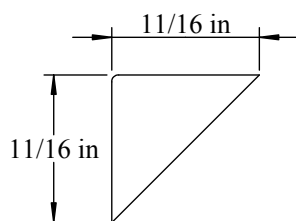
COVE 30755 3/4" X 3/4"



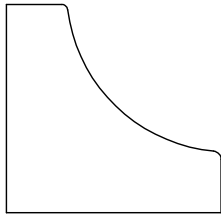
COVE 30757 3/4" X 3/4"



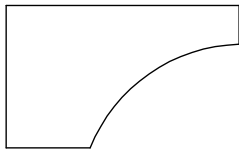
COVE 30758 3/4" X 3/4"



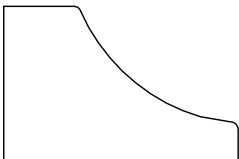
COVE 3100 1/2" X 1"



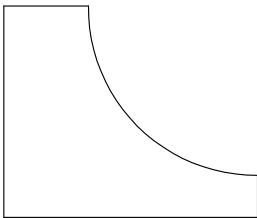
COVE 31001 1" X 1"



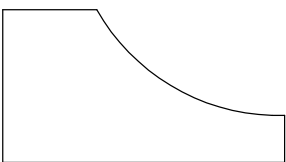
COVE 31132 11/16" X 1 1/8" (SIMILAR TO WM 94)



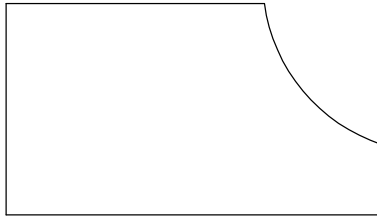
COVE 31133 3/4" X 1 1/8"



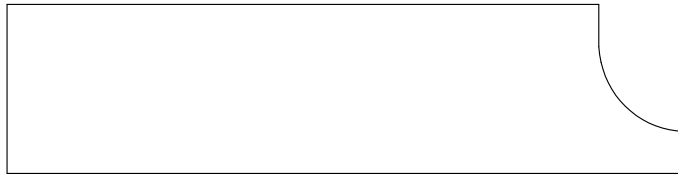
COVE 31503 1 1/4" X 1 1/2"



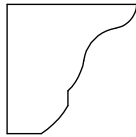
COVE 317512 13/16" X 1 1/2"



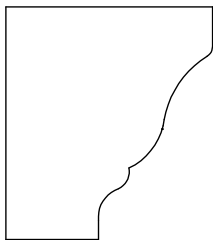
COVE 3200 1 1/8" X 2"



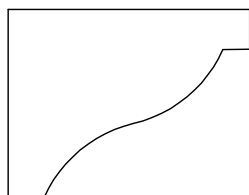
COVE 34004 1" X 4"



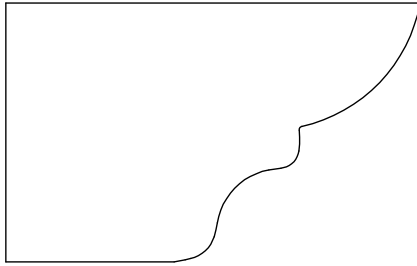
CROWN 30631 5/8" X 5/8"



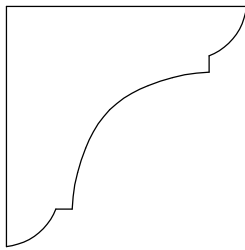
CROWN 31131 1 1/8" X 1"



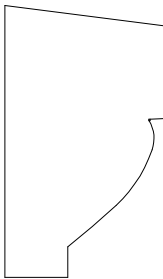
CROWN 31134 7/8" X 1 1/8"



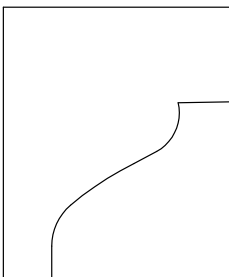
CROWN 3125 1 1/4" X 2"



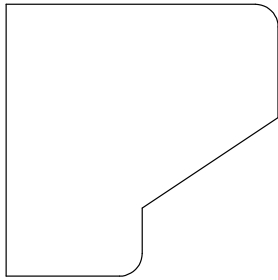
CROWN 31252 1 1/4" X 1 1/4"



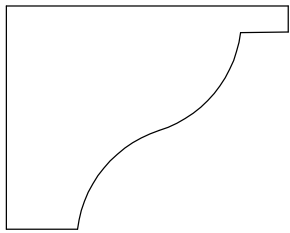
CROWN 3150 7/8" X 1 1/2"



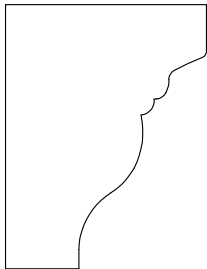
CROWN 31501 1 1/4" X 1 1/2"



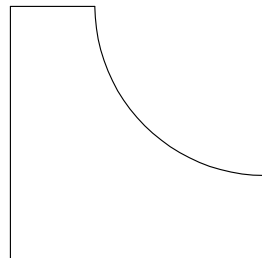
CROWN 31502 1 1/2" X 1 1/2"



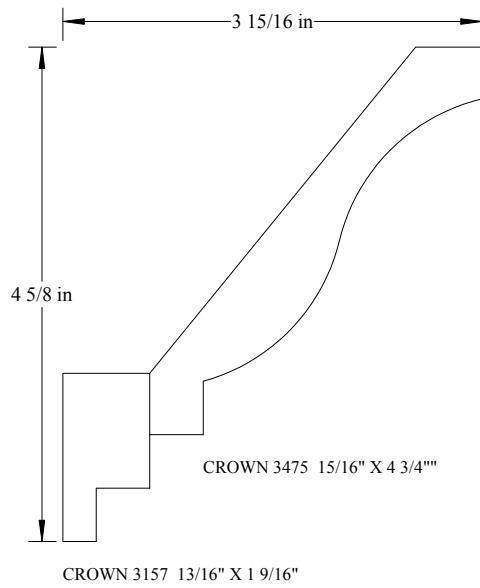
CROWN 31505 1 3/16" X 1 1/2"



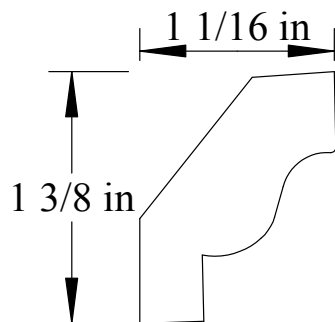
CROWN 31506 1 3/16" X 1 9/16"



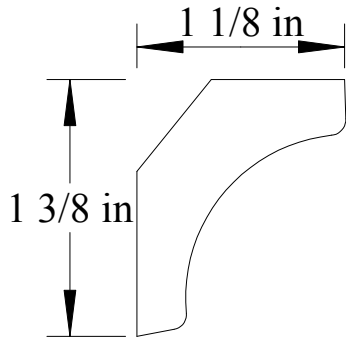
COVE 31508 1 1/2' X 1 1/2"



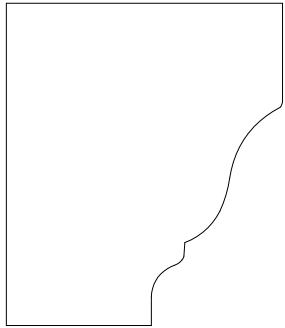
CROWN 3169 1 1/4" X 1 11/16"



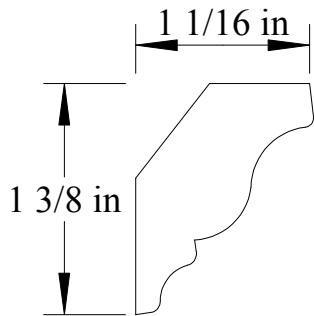
CROWN 31691 5/8" X 1 3/4"



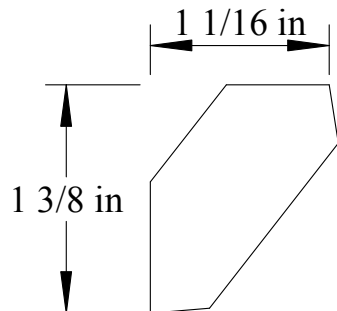
CROWN 31752 3/4" X 1 3/4"



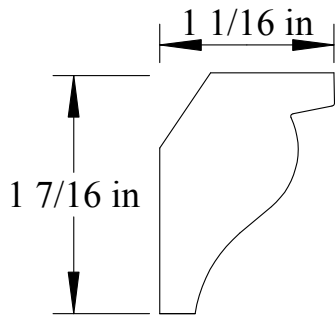
CROWN 31755 1 1/2" X 1 3/4"



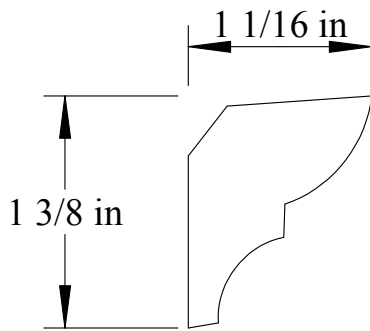
CROWN 31756 5/8" X 1 3/4"



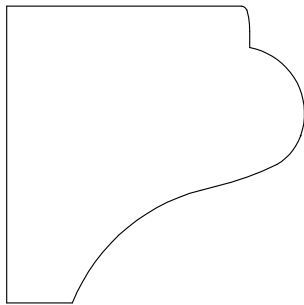
CROWN 31757 3/4" X 1 3/4"



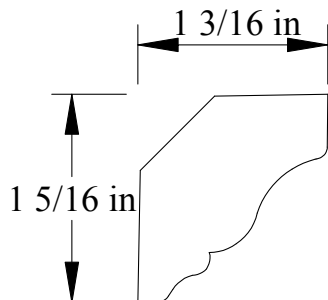
CROWN 31758 13/16" X 1 3/4"



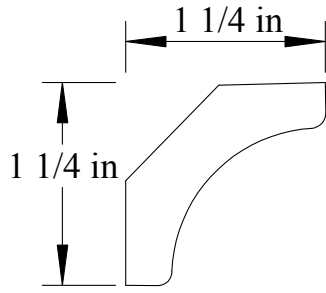
CROWN 317510 3/4" X 1 3/4"



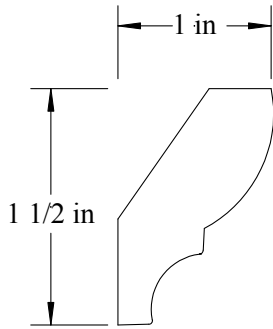
CROWN 317511 1 3/4" X 1 3/4" OLD 175



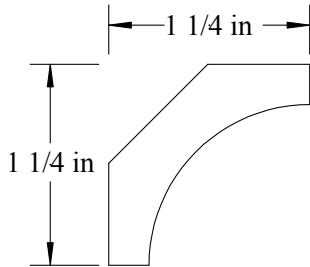
CROWN 317513 3/4" X 1 3/4"



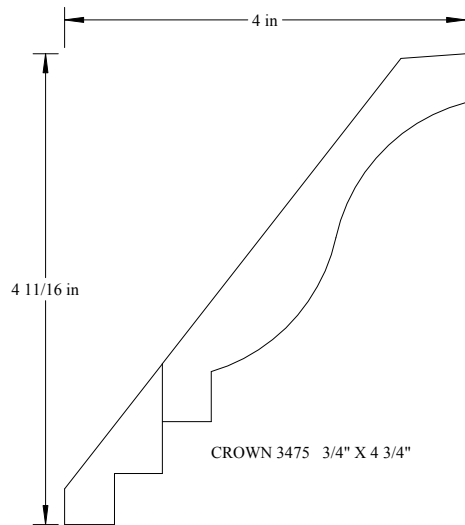
CROWN 317514 5/8" X 1 3/4"



CROWN 317515 9/16" X 1 3/4"

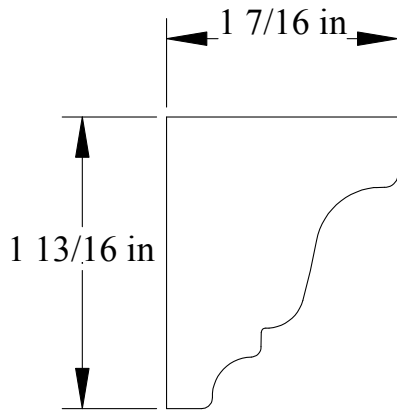


CROWN 317516 5/8" X 1 3/4"

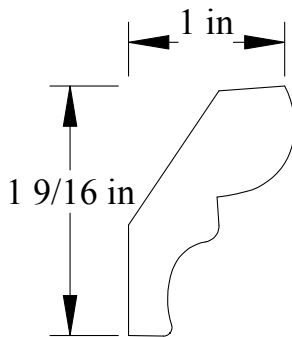


CROWN 3475 3/4" X 4 3/4"

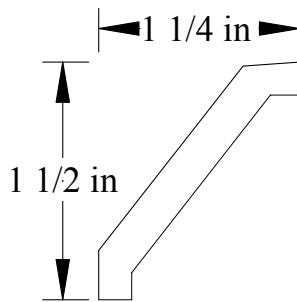
CROWN 3182 11/16" X 1 7/8"



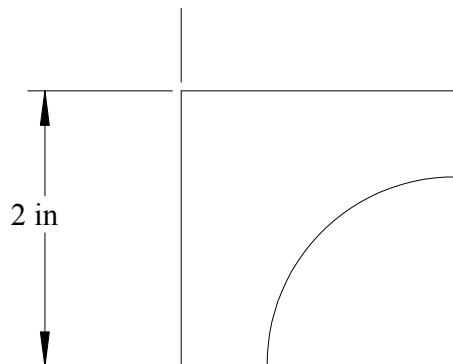
CROWN 31821 1 7/16" X 1 13/16"



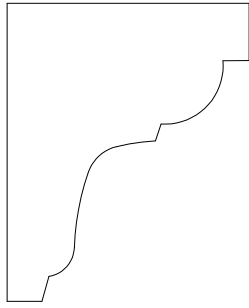
CROWN 31822 9/16" X 1 13/16"



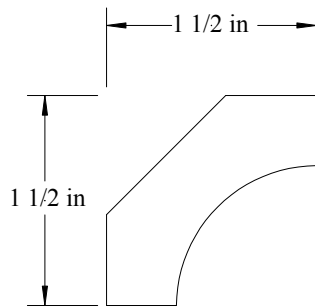
CROWN 3194 3/8" X 1 15/16"



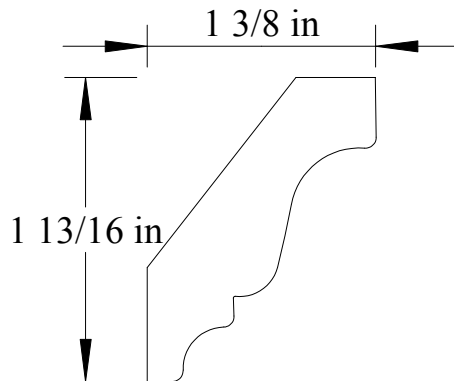
CROWN 32001 2" X 2"



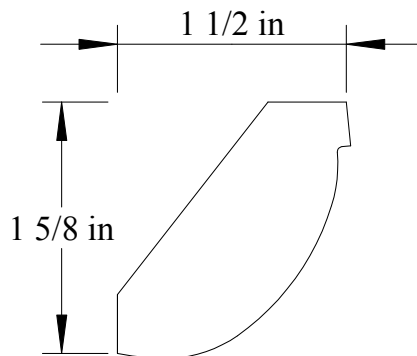
CROWN 32131 1 3/4" X 2 1/8"



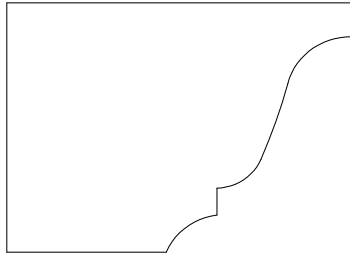
CROWN 32132 13/16" X 2 1/8"



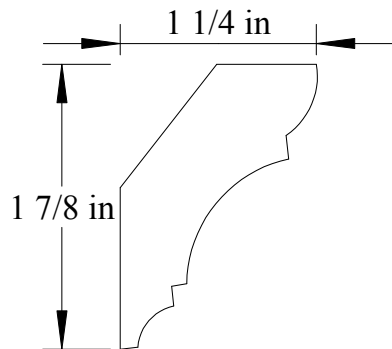
CROWN 32251 5/8" X 2 1/4"



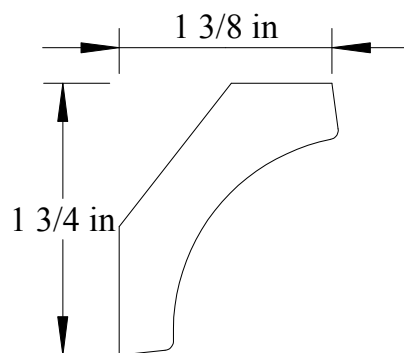
CROWN 32252 7/8" X 2 1/4"



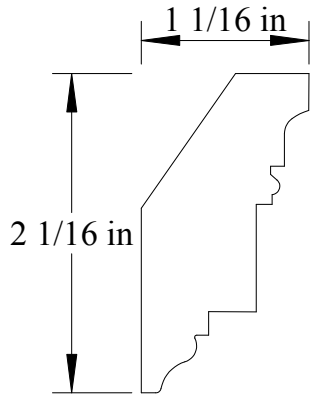
CROWN 32253 1 5/8" X 2 1/4"



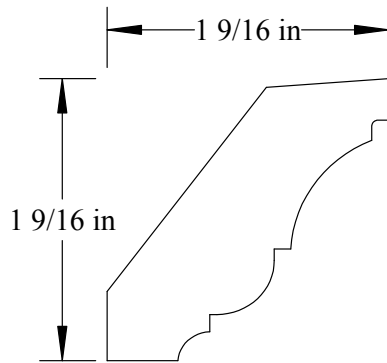
CROWN 32254 3/4" X 2 1/4"



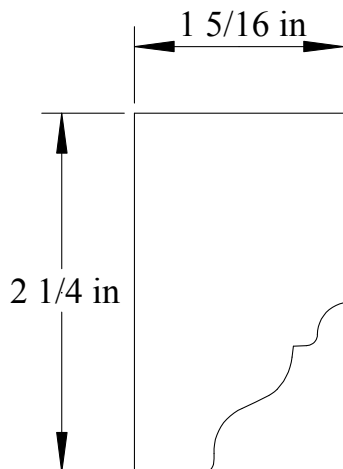
CROWN 32255 3/4" X 2 1/4"



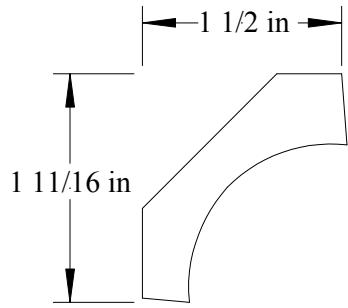
CROWN 32256 1" X $2 \frac{5}{16}$ "



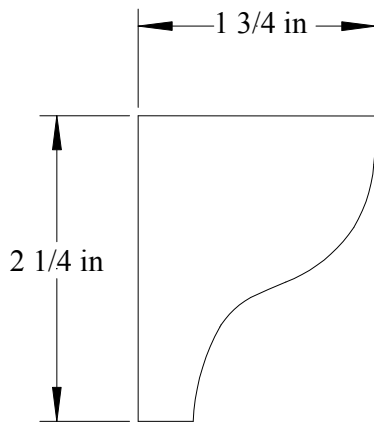
CROWN 32258 $1 \frac{1}{16}$ " X $2 \frac{3}{16}$ "



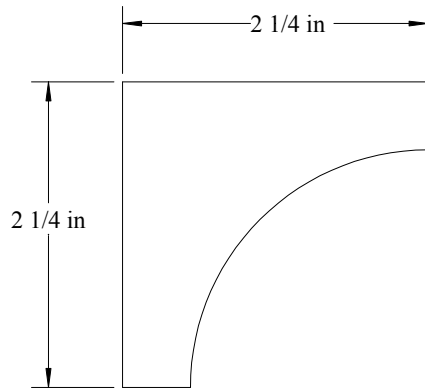
CROWN 32259 $1 \frac{5}{16}$ " X $2 \frac{1}{4}$ "



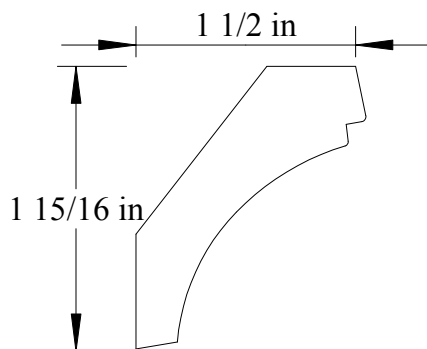
CROWN 322510 $\frac{3}{4}$ " X $2 \frac{1}{4}$ "



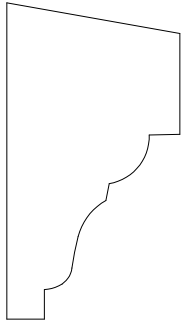
CROWN 322511 $1 \frac{3}{4}$ " X $2 \frac{1}{4}$ "



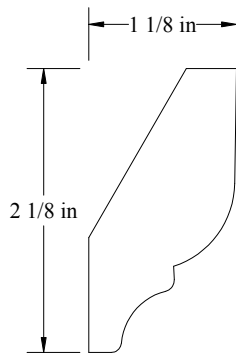
CROWN 322512 $2 \frac{1}{4}$ " X $2 \frac{1}{4}$ "



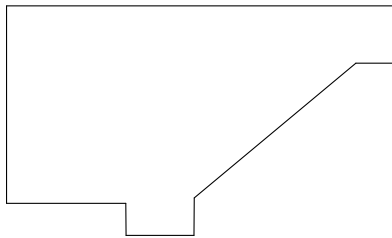
CROWN 32381 $\frac{3}{4}$ " X $2 \frac{3}{8}$ "



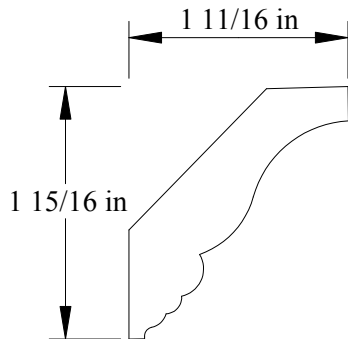
CROWN 32382 1 5/16" X 2 3/8"



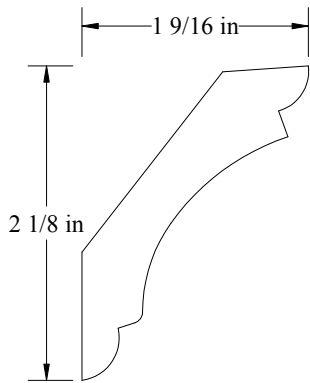
CROWN 32383 13/16" X 2 3/8"



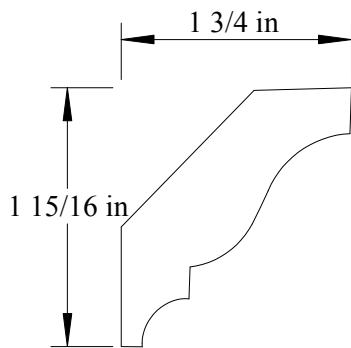
CROWN 32384 1 7/16" X 2 3/8"



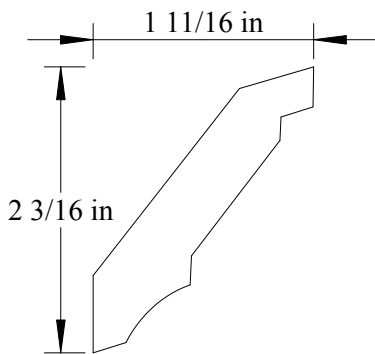
CROWN 3257 11/16" X 2 9/16"



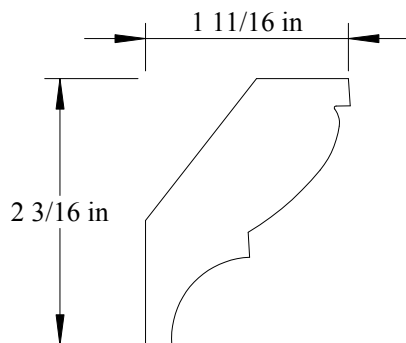
CROWN 3263 5/8" X 2 5/8"



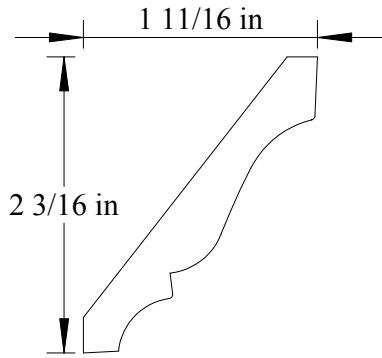
CROWN 32631 3/4" X 2 5/8"



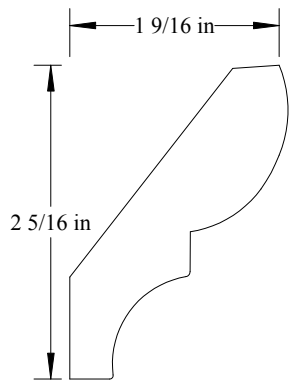
CROWN 32751 5/8" X 2 3/4"



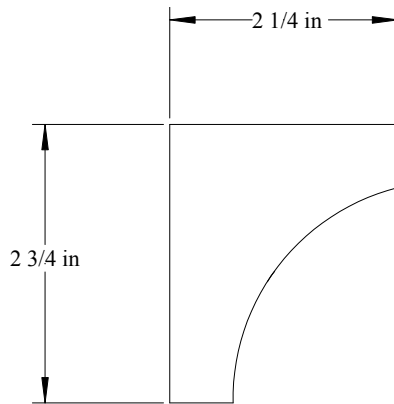
CROWN 32752 7/8" X 2 3/4"



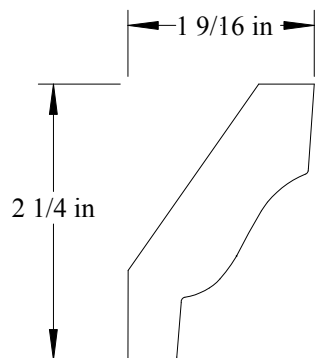
CROWN 32753 7/16" X 2 3/4"



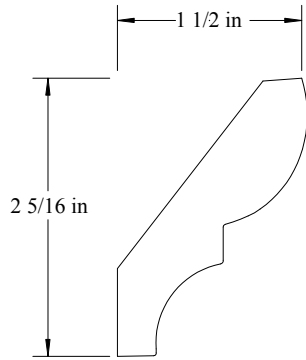
CROWN 32754 3/4" X 2 3/4"



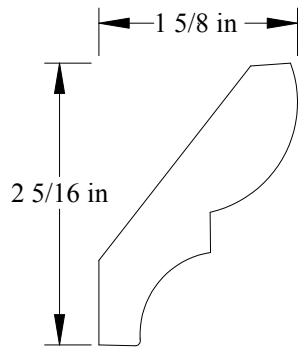
CROWN 32755 2 1/4" X 2 3/4"



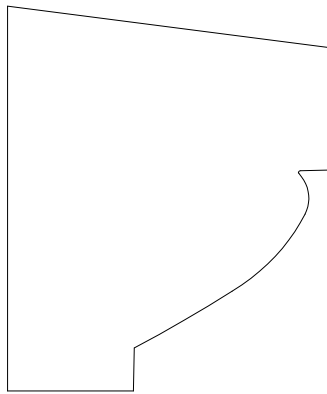
CROWN 32756 3/4" X 2 3/4"



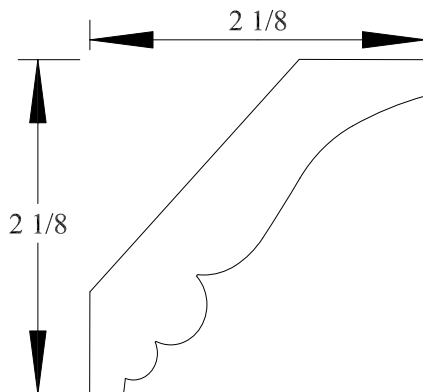
CROWN 32757 11/16" X 2 3/4"

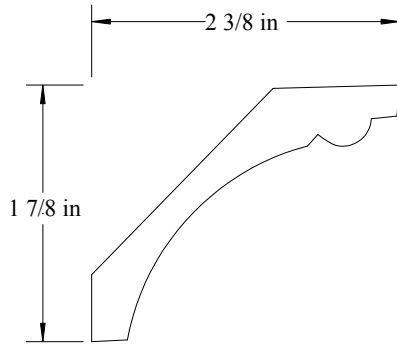


CROWN 3288 11/16" X 2 13/16"

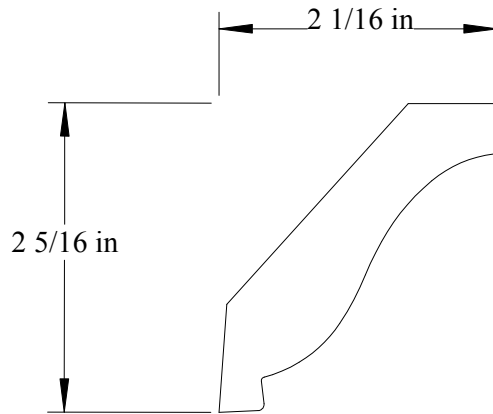


CROWN 33001 3" X 2 1/2"

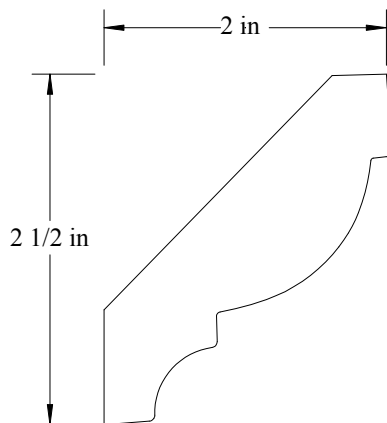




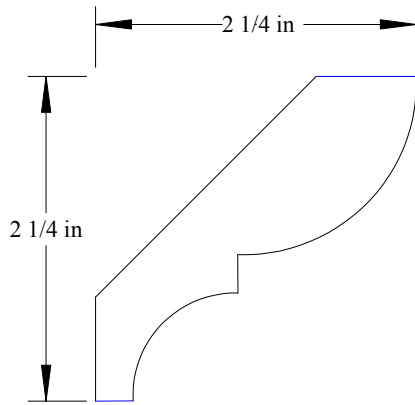
CROWN 33003 $1 \frac{3}{16}$ " X 3"



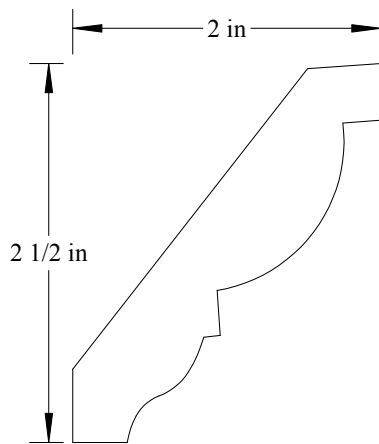
CROWN 3313 $\frac{3}{4}$ " X $3 \frac{1}{8}$ "



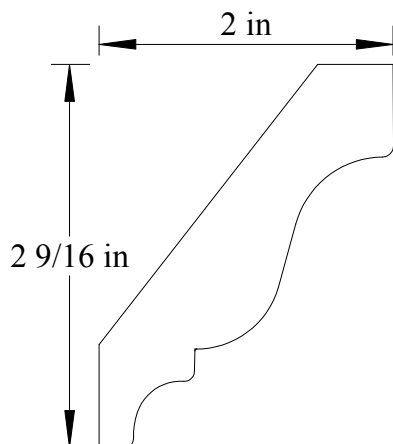
CROWN 33131 $\frac{7}{8}$ " X $3 \frac{1}{8}$ "



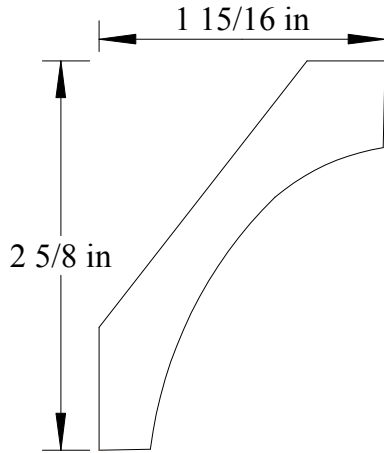
CROWN 3319 7/8" X 3 3/16"



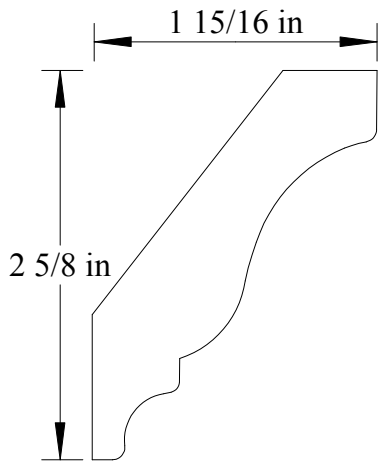
CROWN 33191 11/16" X 3 3/16"



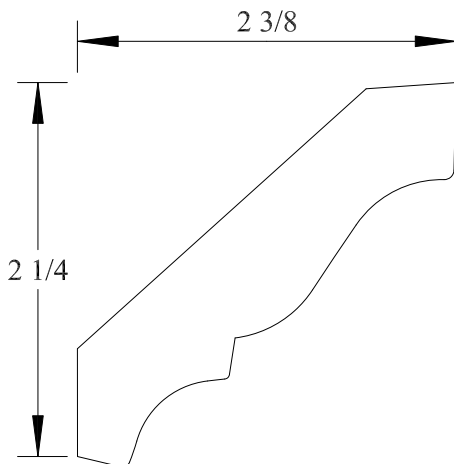
CROWN 33252 3/4" X 3 1/4"



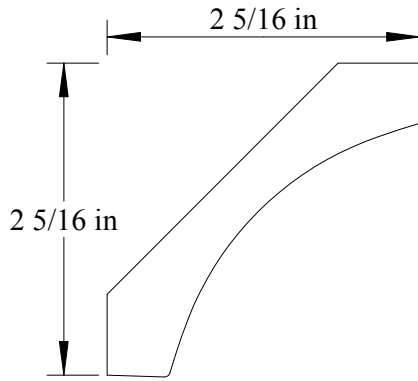
CROWN 33253 3/4" X 3 1/4"



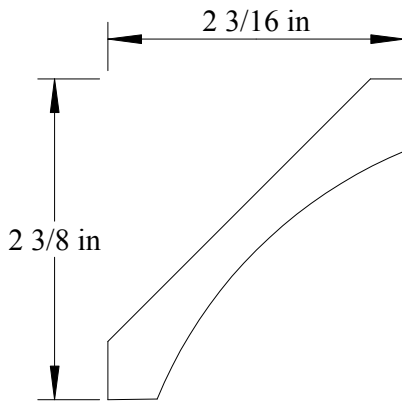
CROWN 33254 3/4" X 3 1/4" (SIMILAR TO WM 51)



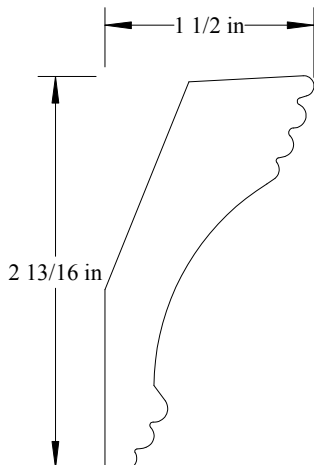
CROWN 33255 3/4" X 3 1/4"



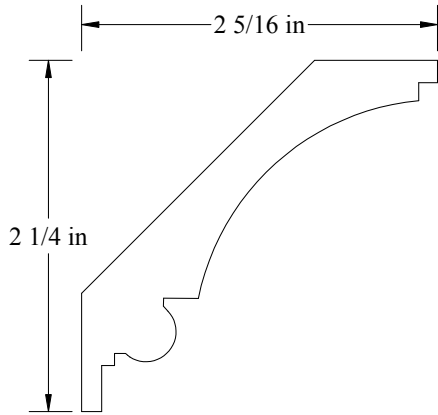
CROWN 33256 $\frac{3}{4}$ " X $3 \frac{1}{4}$ "



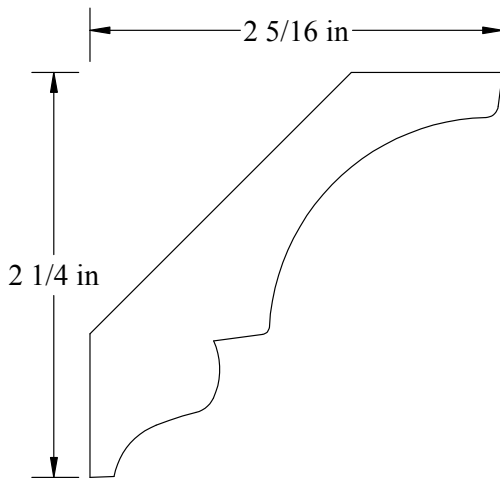
CROWN 33257 $\frac{9}{16}$ " X $3 \frac{1}{4}$ " (SIMILAR TO WM 81)



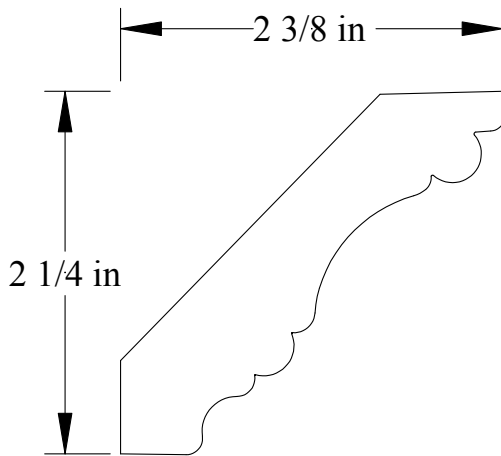
CROWN 33258 $\frac{7}{8}$ " X $3 \frac{1}{8}$ "



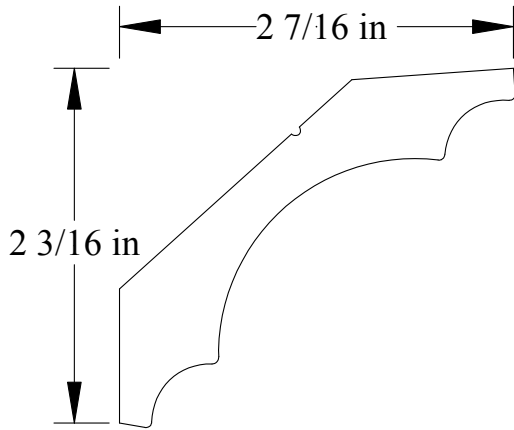
CROWN 332510 1 1/16" X 3 1/4"



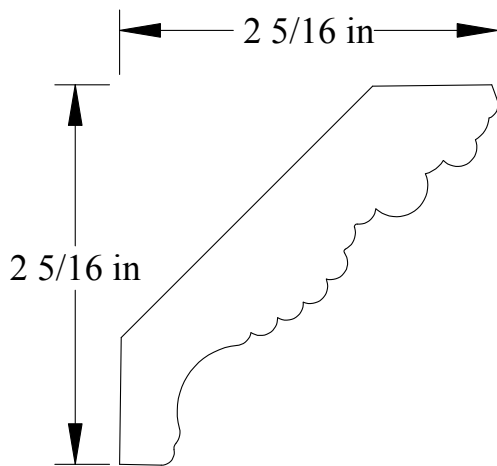
CROWN 332511 3/4" X 3 1/4"



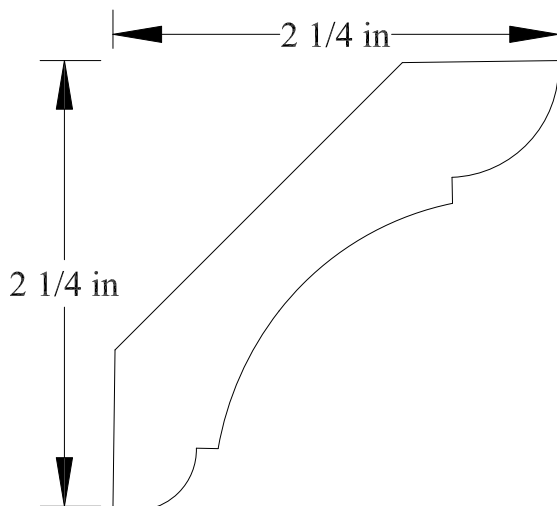
CROWN 332512 3/4" X 3 1/4"



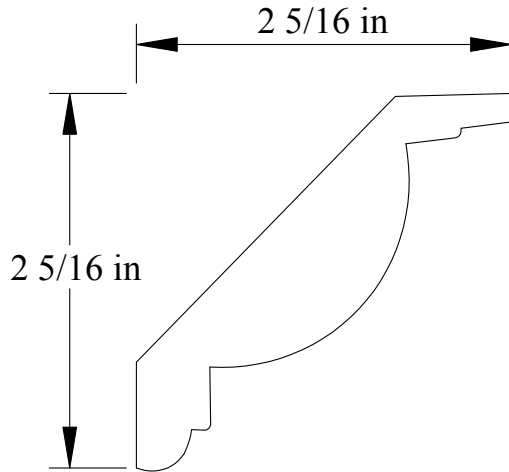
CROWN 332513 3/4" X 3 1/4"



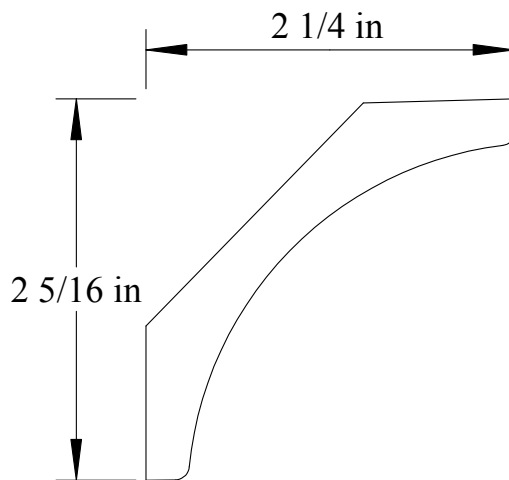
CROWN 332514 3/4" X 3 1/4"



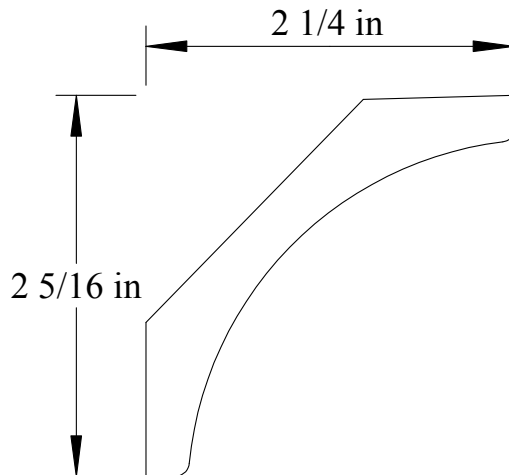
CROWN 332515 3/4" X 3 1/4"



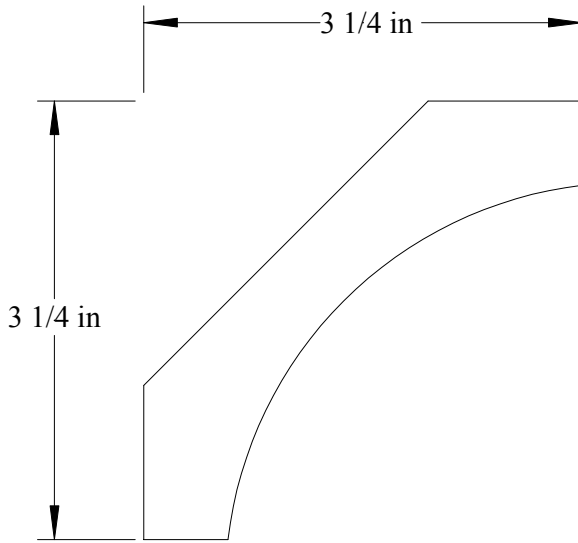
CROWN 332516 3/4" X 3 1/4"



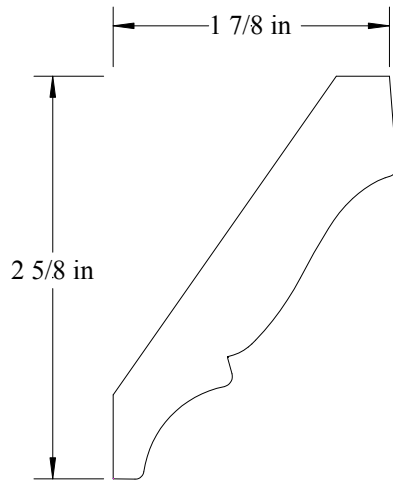
CROWN 332517 13/16" X 3 1/4"



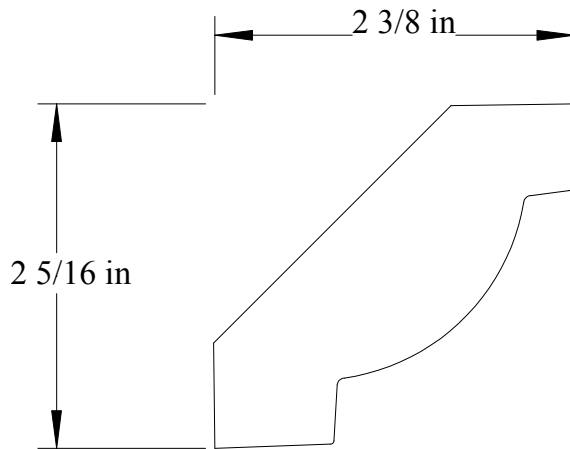
CROWN 332517 13/16" X 3 1/4"



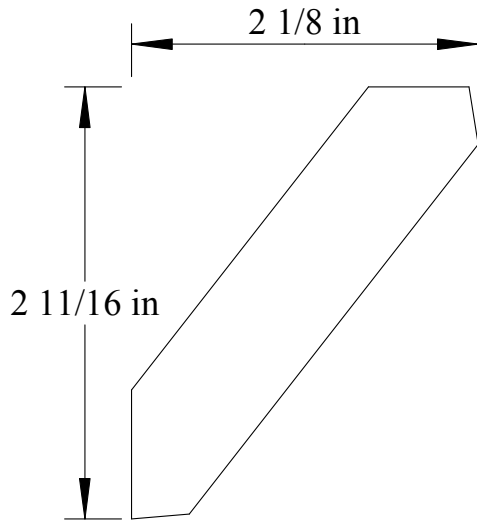
CROWN 332518 1 1/4" X 4 5/8"



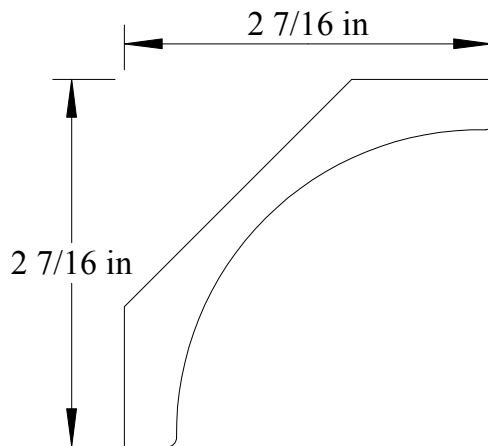
CROWN 332519 11/16" X 3 1/4"



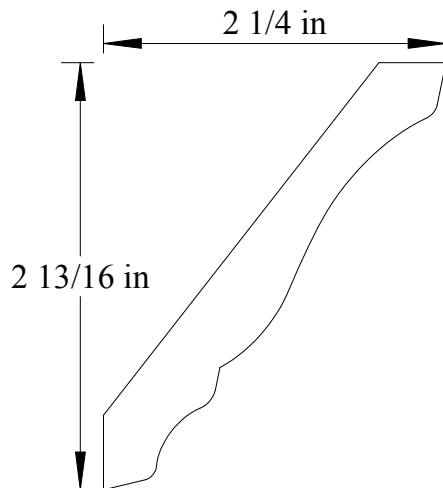
CROWN 3332 1 1/16" X 3 5/16"



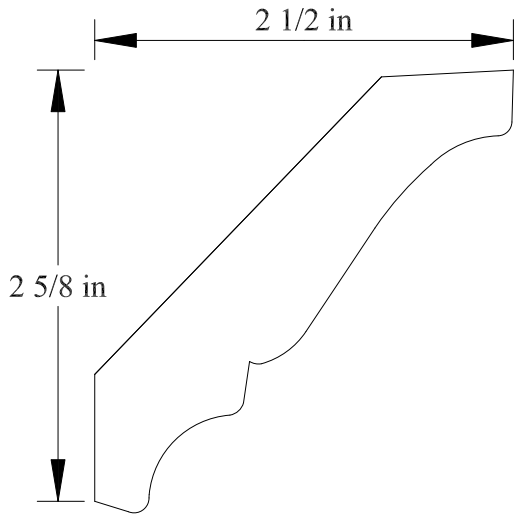
CROWN 3338 $\frac{3}{4}$ X $3 \frac{3}{8}$ "



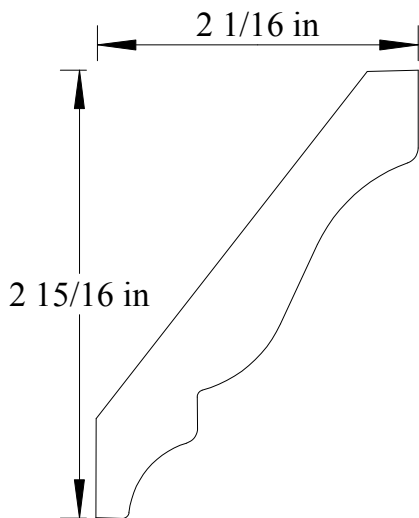
CROWN 3344 $\frac{7}{8}$ " X $3 \frac{7}{16}$ "



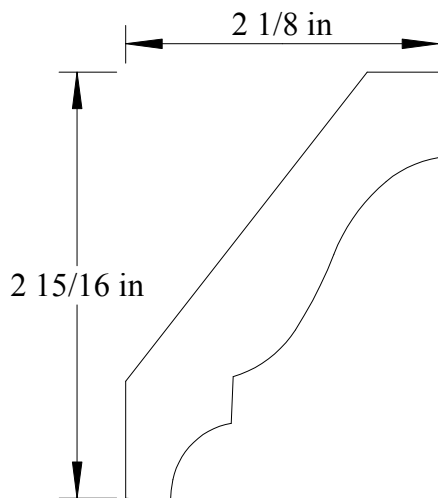
CROWN 33631 $\frac{1}{2}$ " X $3 \frac{5}{8}$ " OLD 3625-1



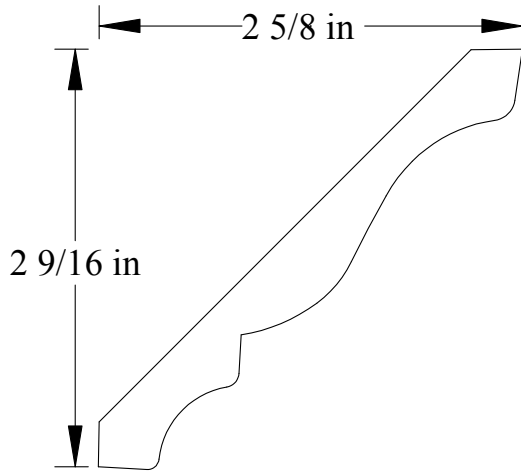
CROWN 33632 3/4" X 3 5/8"



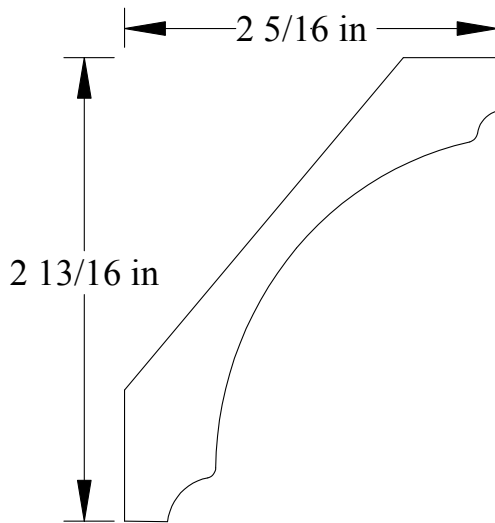
CROWN 33633 9/16" X 3 5/8" OLD 49MDF (SIMILAR TO MDF 49)



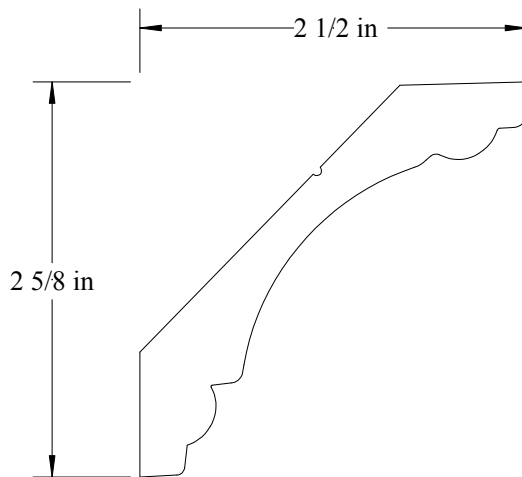
CROWN 33634 3/4" X 3 5/8"



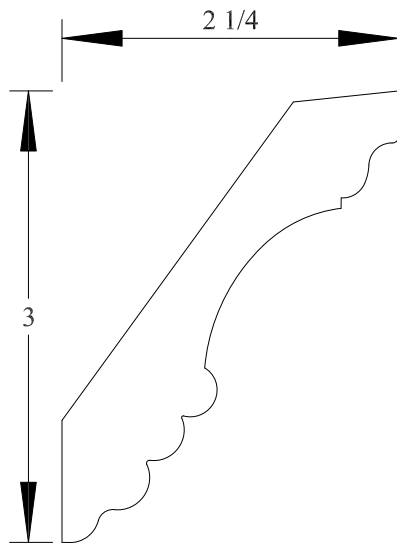
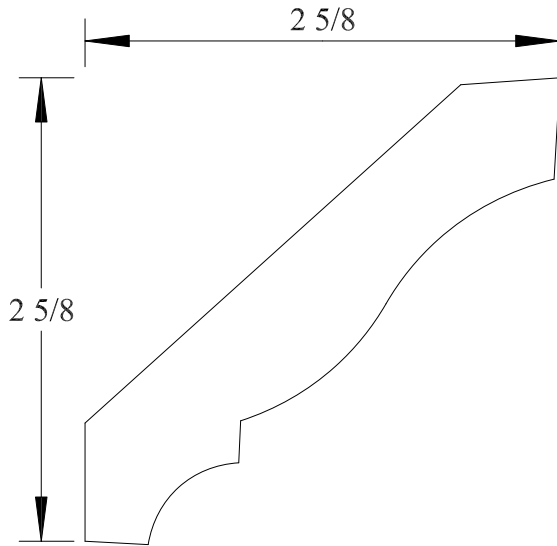
CROWN 33635 $\frac{7}{16}$ " X $3 \frac{5}{8}$ "



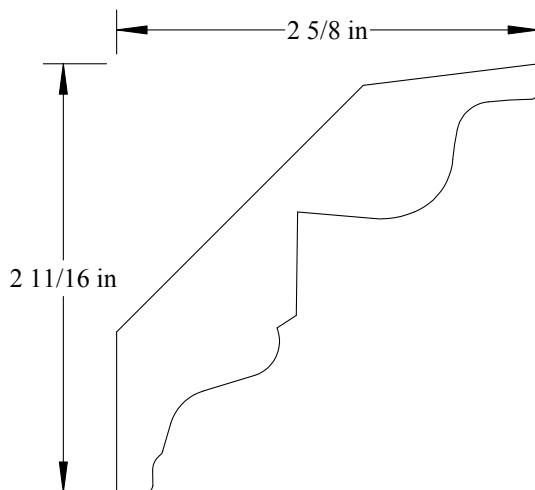
CROWN 33636 $\frac{3}{4}$ " X $3 \frac{5}{8}$ "



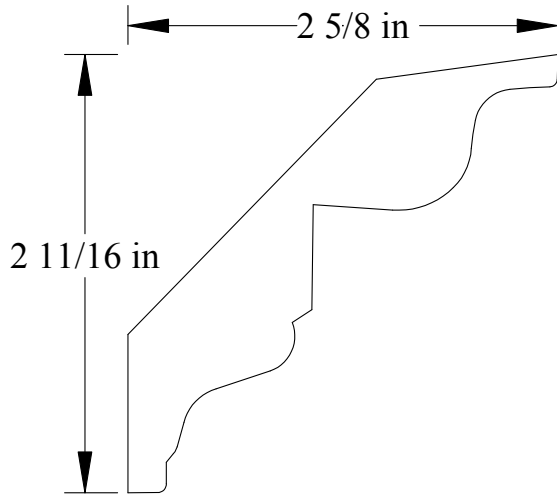
CROWN 33637 $\frac{3}{4}$ " X $3 \frac{5}{8}$ "



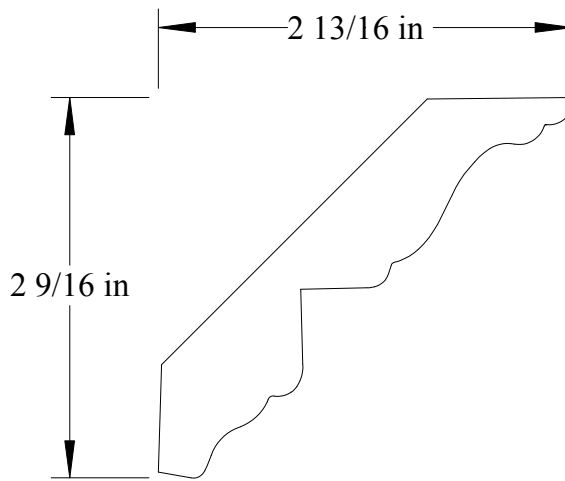
CROWN 33752 $\frac{3}{4}$ " X $3 \frac{3}{4}$ "



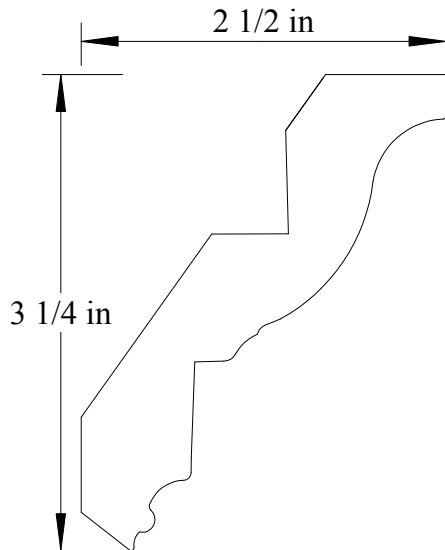
CROWN 33753 $\frac{7}{8}$ " X $3 \frac{3}{4}$ "



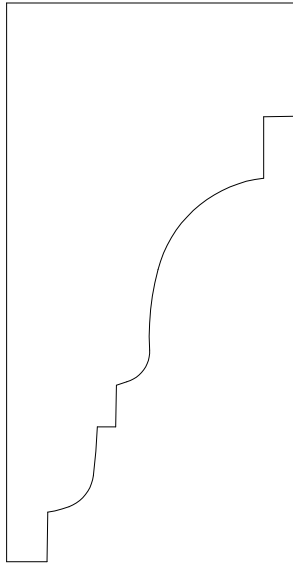
CROWN 33754 $\frac{13}{16}$ " X $3 \frac{3}{4}$ "



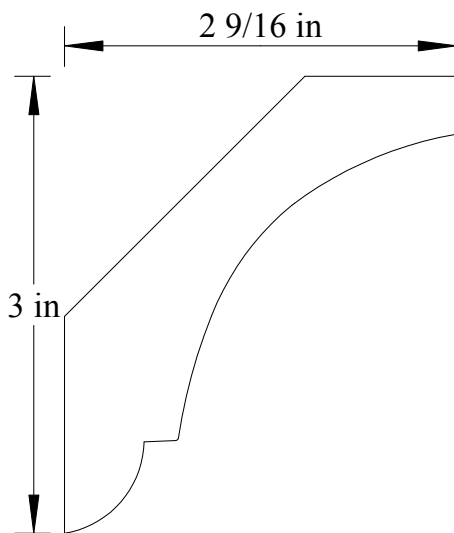
CROWN 33755 $\frac{3}{4}$ " X $3 \frac{3}{4}$ "



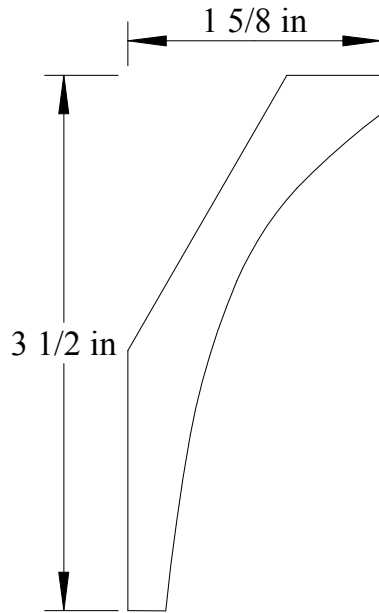
CROWN 3382 $\frac{3}{4}$ " X $3 \frac{7}{8}$ "



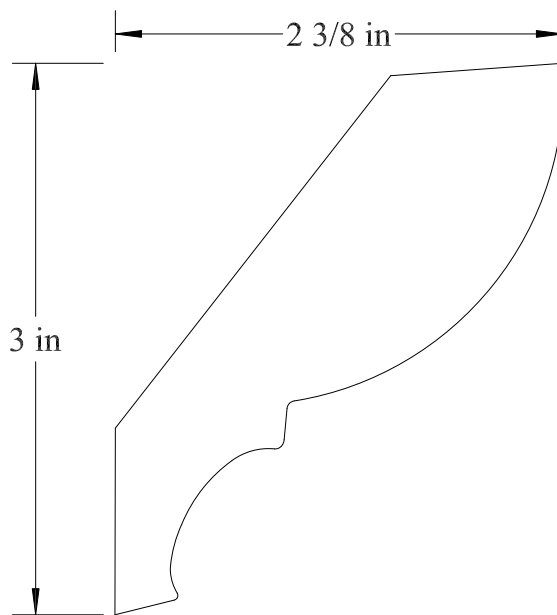
CROWN 33821 1 15/16" X 3 3/4"



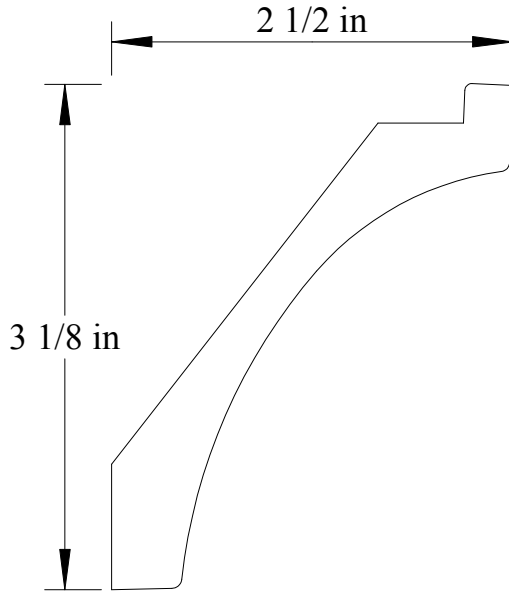
CROWN 3388 1 1/8" X 3 7/8"



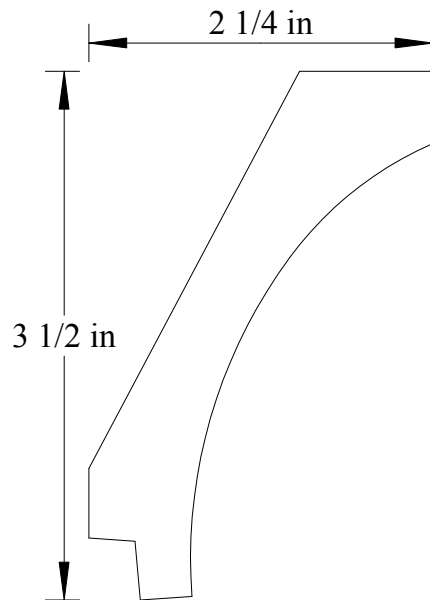
CROWN 33881 $1 \frac{1}{16}$ " X $3 \frac{7}{8}$ "



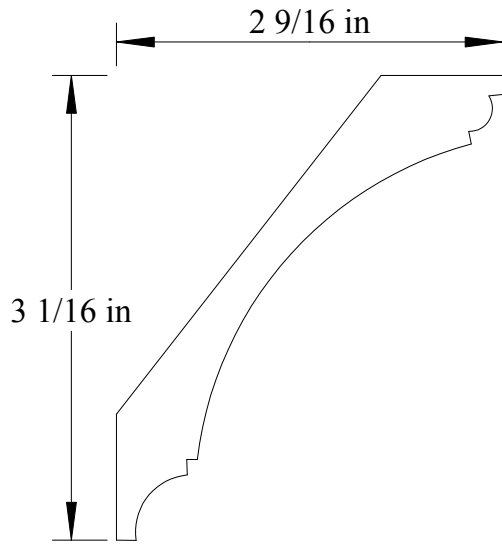
CROWN 33882 $1 \frac{1}{8}$ " X $3 \frac{13}{16}$ "



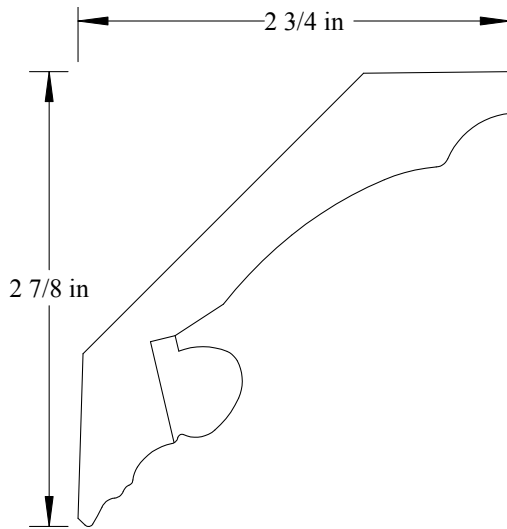
CROWN 3400 13/16" X 4"



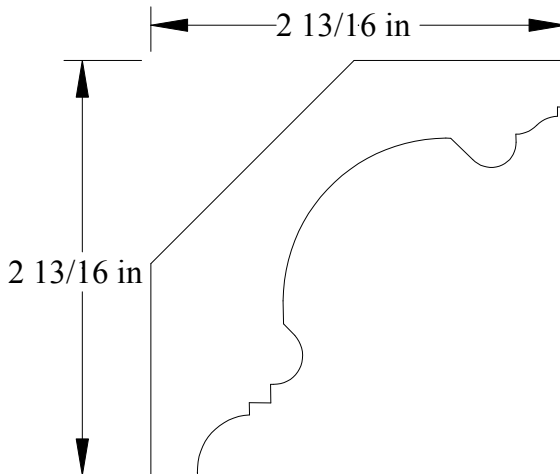
CROWN 34001 1" X 4"



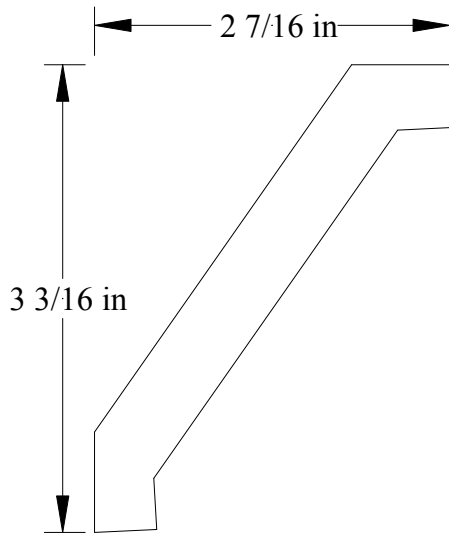
CROWN 34002 $\frac{3}{4}$ " X 4"



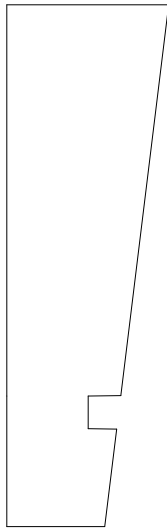
CROWN 34003 $\frac{13}{16}$ " X 4" WITH INSERT



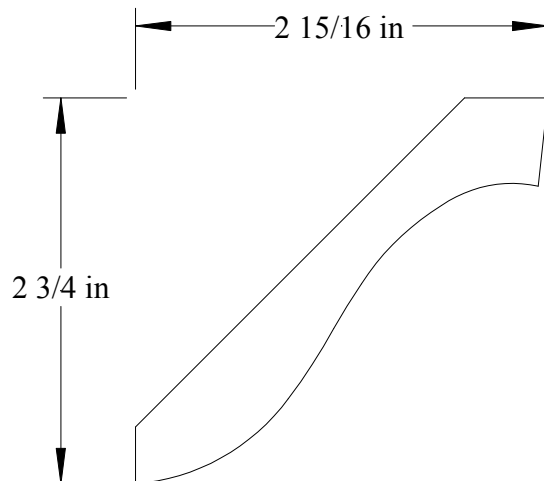
CROWN 34005 $1 \frac{1}{4}$ " X 4"



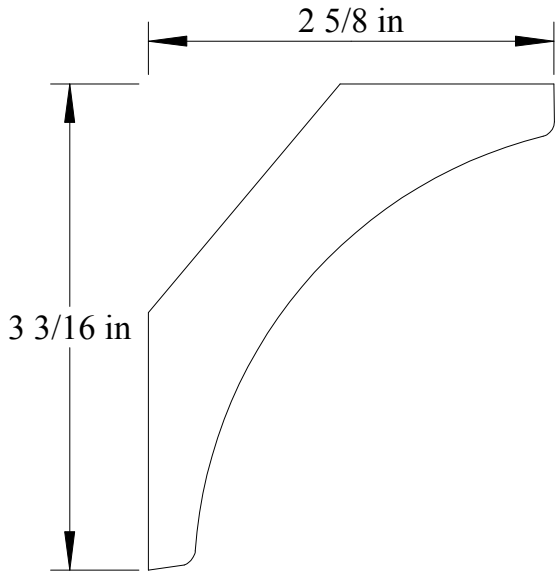
CROWN 34006 $1 \frac{3}{16}$ " X 4"



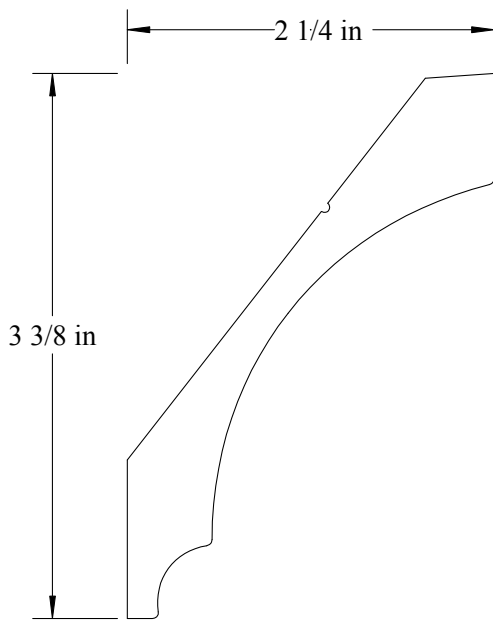
CROWN 34007 $1 \frac{1}{4}$ " X 4"



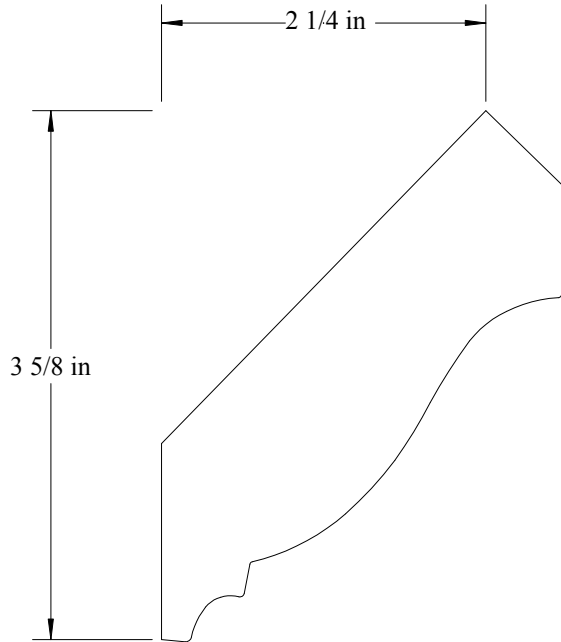
CROWN 34008 $1 \frac{3}{16}$ " X 4"



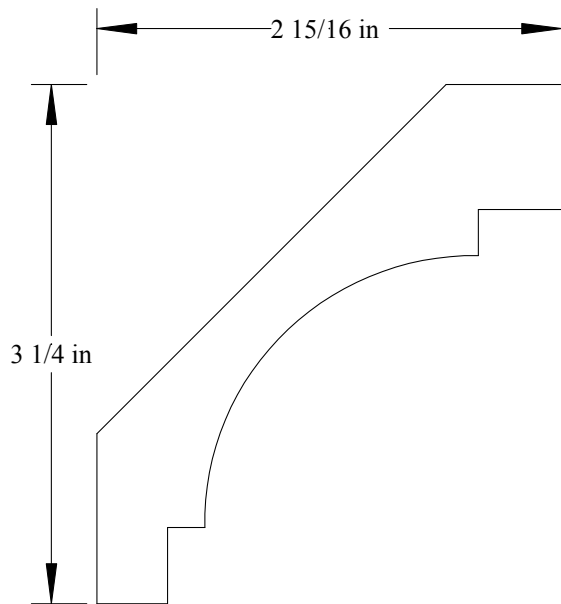
CROWN 3413 $1 \frac{1}{4}$ " X $4 \frac{1}{8}$ "



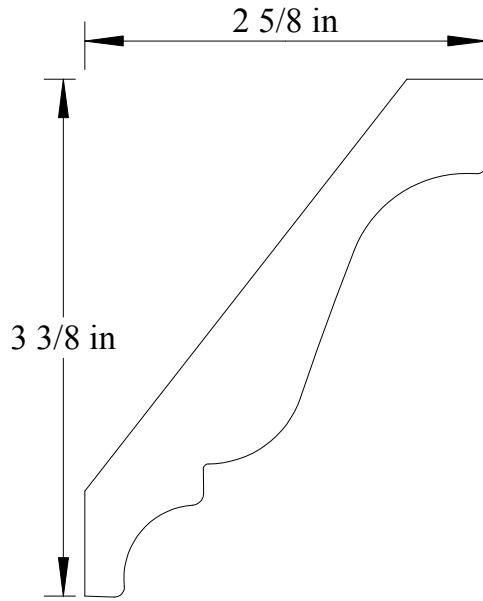
CROWN 34132 $\frac{3}{4}$ " X $4 \frac{1}{8}$ "



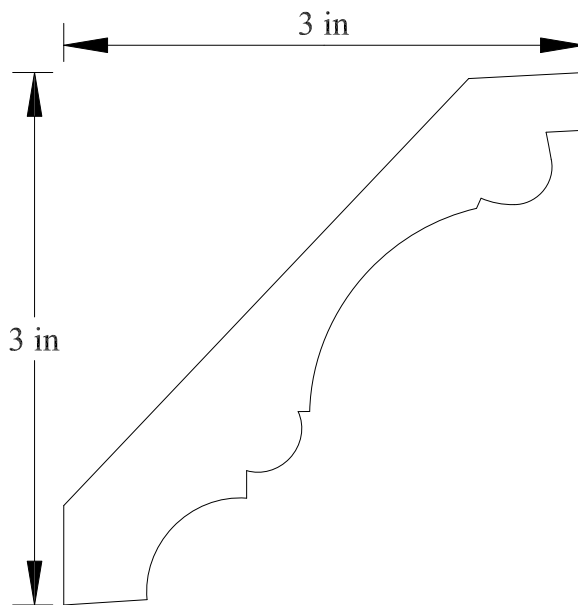
CROWN 34133 1 1/4" X 4"



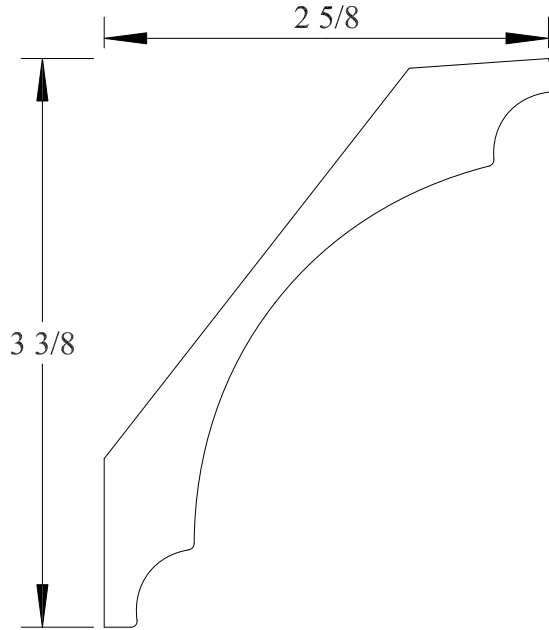
CROWN 3419 1 1/16" X 4 3/8"



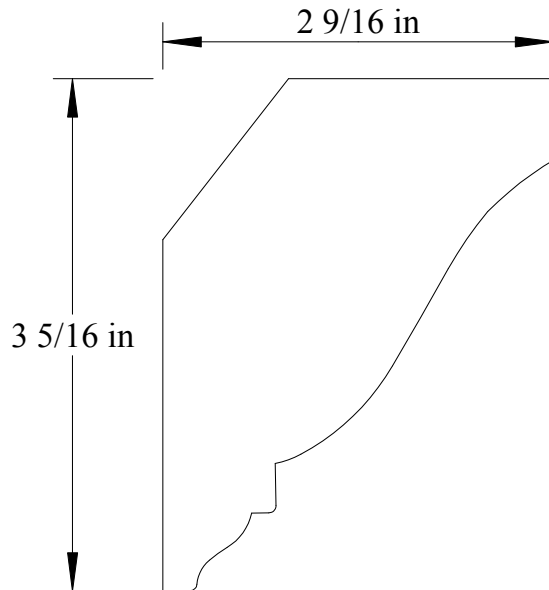
CROWN 34252 $\frac{3}{4}$ " X $4 \frac{1}{4}$ "



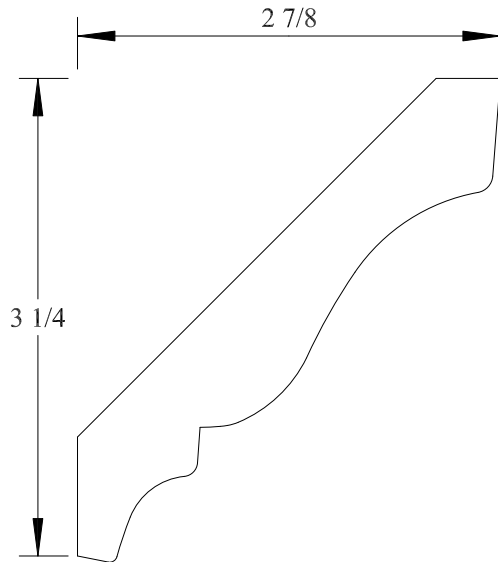
CROWN 34253 $\frac{3}{4}$ " X $4 \frac{1}{4}$ "



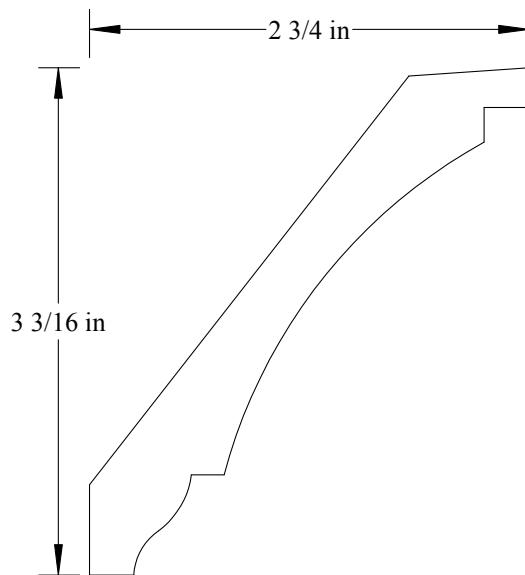
CROWN 34255 $\frac{3}{4}$ " X $4 \frac{1}{4}$ "



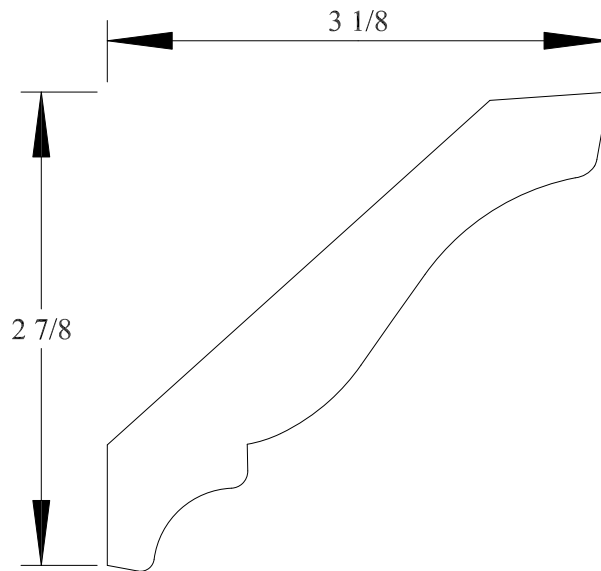
CROWN 34256 $1 \frac{11}{16}$ " X $4 \frac{1}{4}$ "



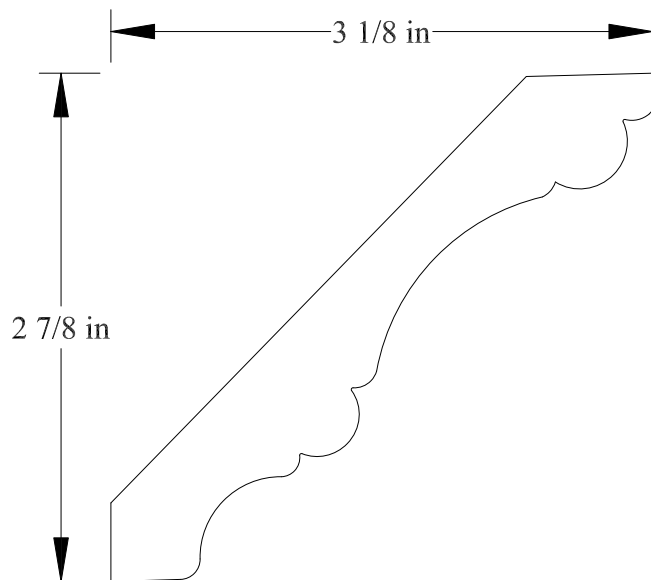
CROWN 34257 $3/4$ " X $4 \frac{1}{4}$ "



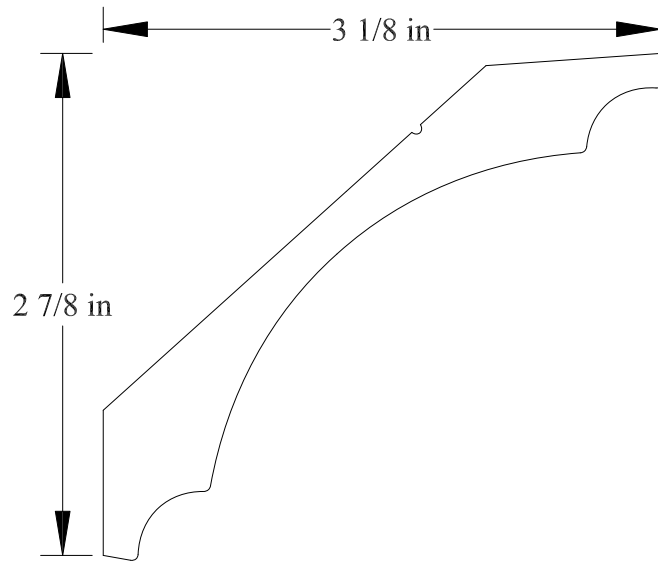
CROWN 34258 $3/4$ " X $4 \frac{3}{16}$ "



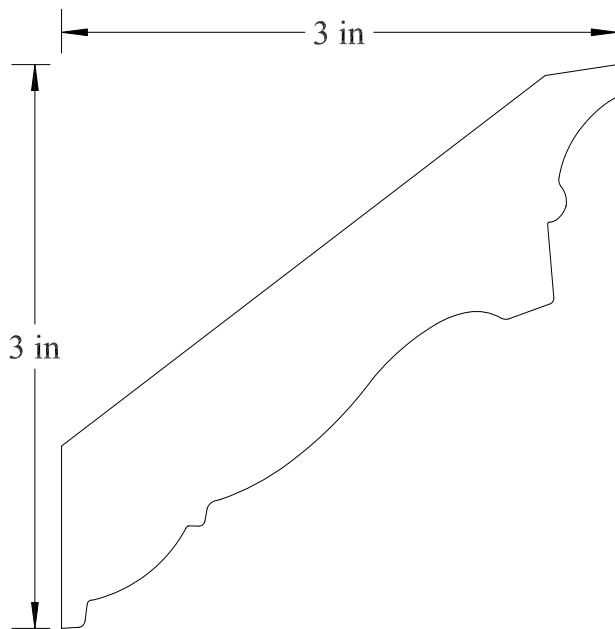
CROWN 34259 $\frac{3}{4}$ " X $4 \frac{1}{4}$ "



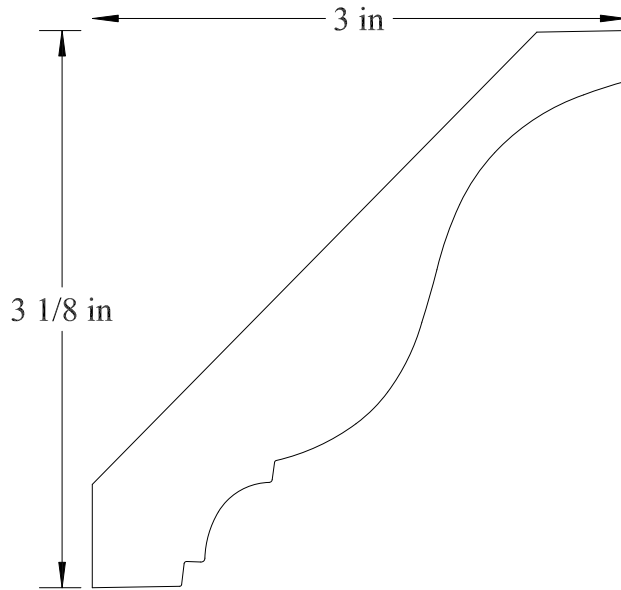
CROWN 342510 $\frac{3}{4}$ " X $4 \frac{1}{4}$ "



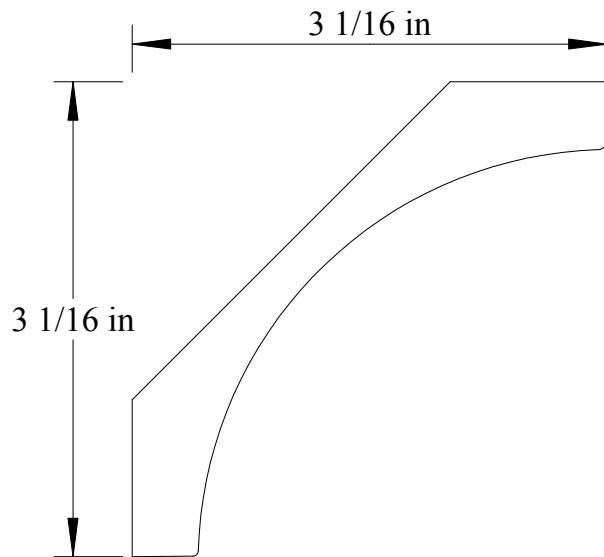
CROWN 342511 3/4" X 4 1/4"



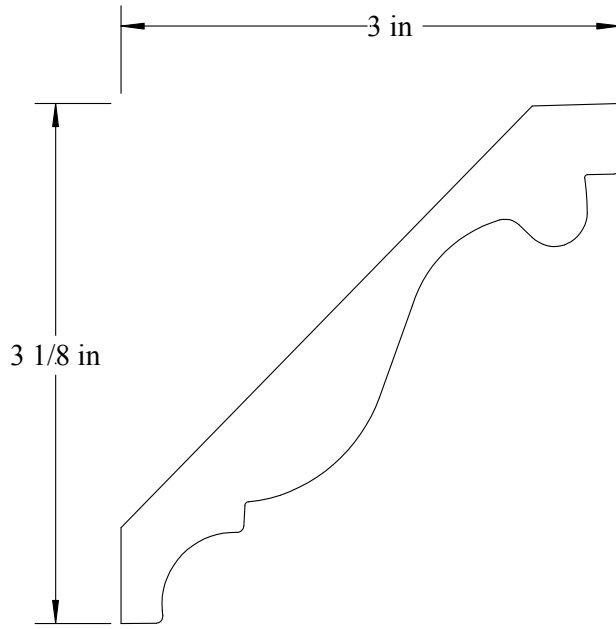
CROWN 342512 1" X 4 1/4"



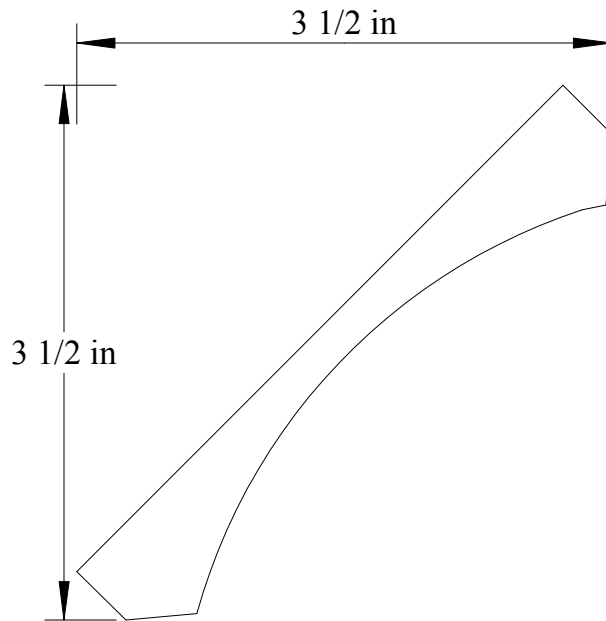
CROWN 342513 13/16" X 4 1/4"



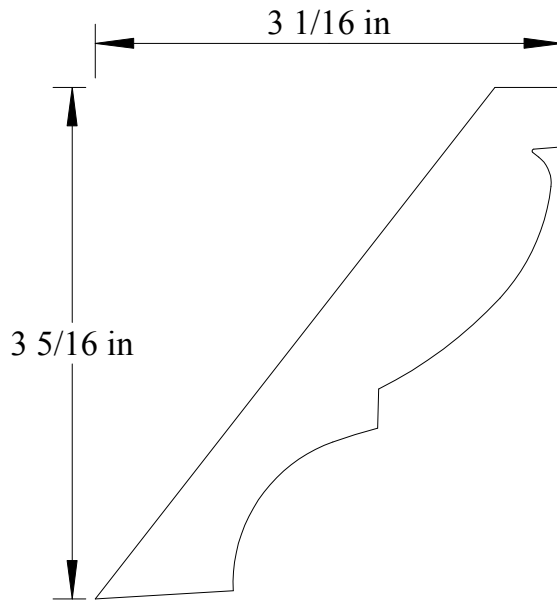
CROWN 3438 1" X 4 3/8"



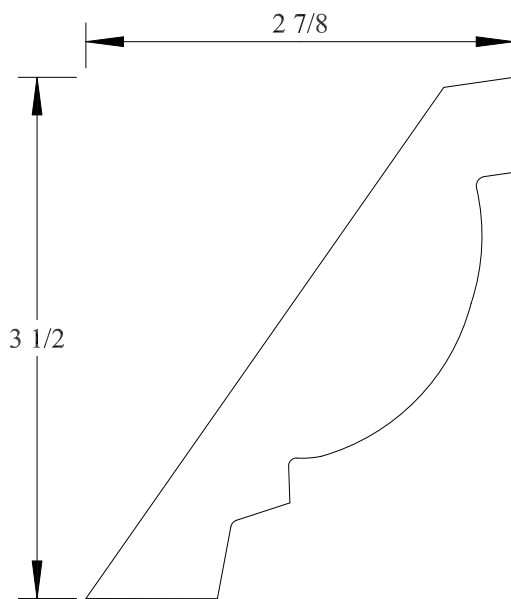
CROWN 34381 3/4" X 4 3/8"



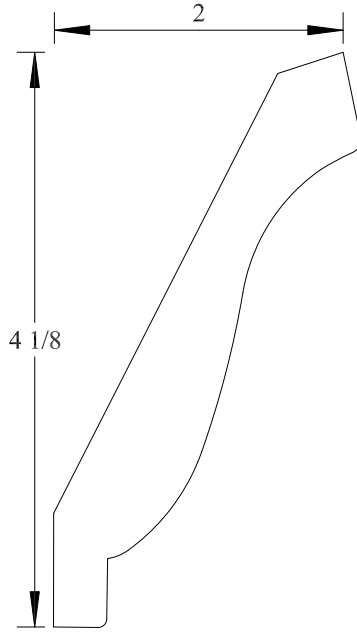
CROWN 34502 3/4" X 4 1/2" OLD 450-1



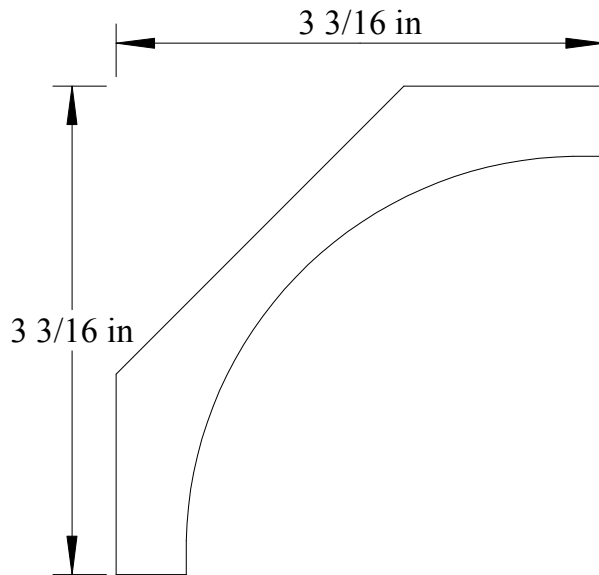
CROWN 34503 $\frac{7}{8}$ " X $4 \frac{1}{2}$ "



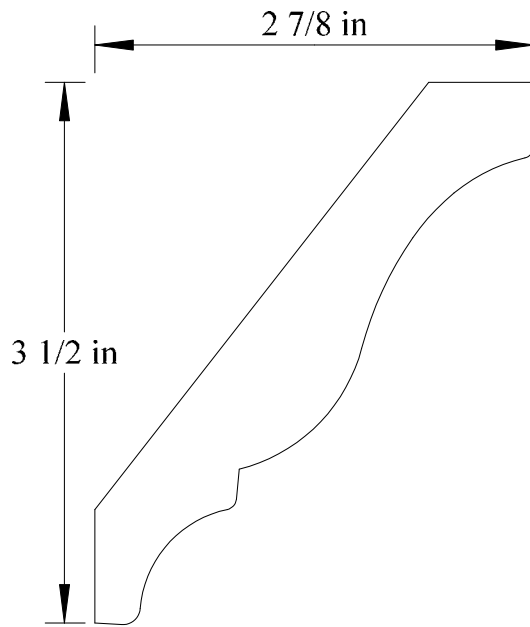
CROWN 34504 $1 \frac{1}{16}$ " X $4 \frac{1}{2}$ "



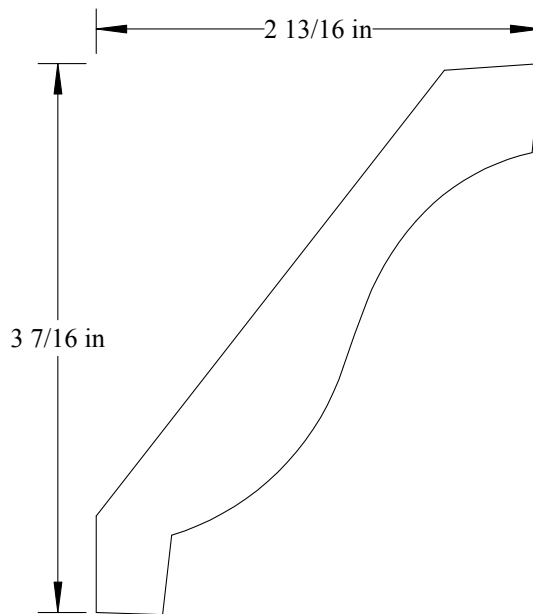
CROWN 34505 3/4" X 4 9/16"



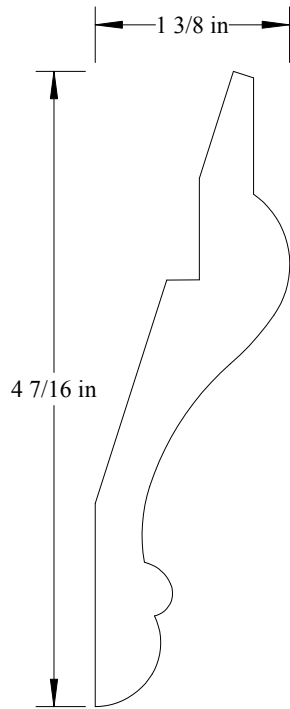
CROWN 34506 1 1/4" X 4 1/2"



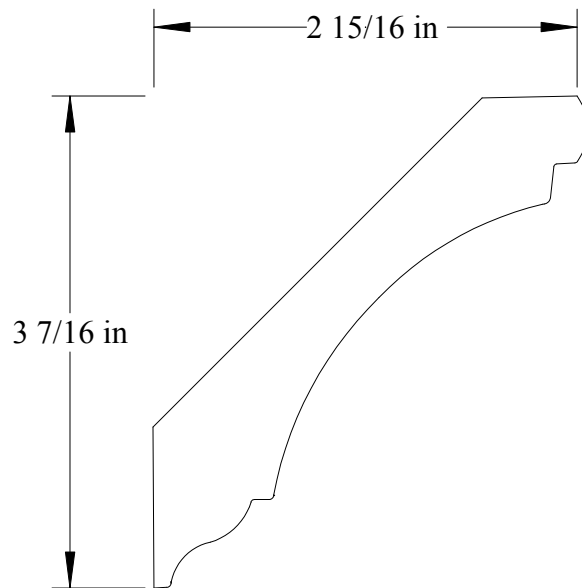
CROWN 34507 $1 \frac{3}{16}$ " X $4 \frac{9}{16}$ "



CROWN 34508 $\frac{3}{4}$ " X $4 \frac{7}{16}$ "



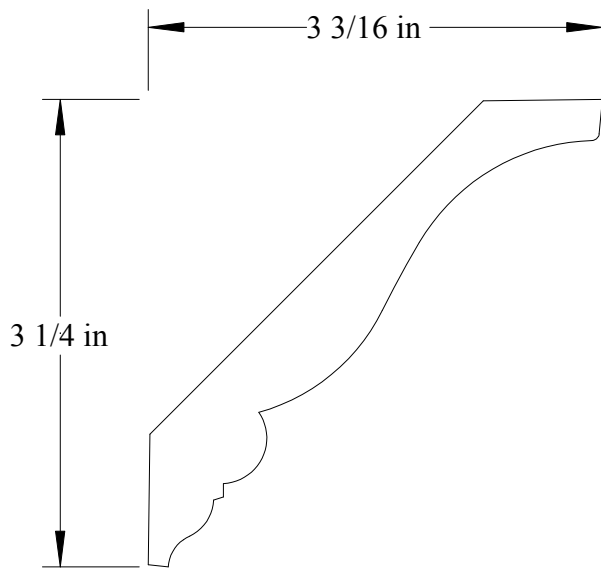
CROWN 34509 $1 \frac{3}{16}$ " X $4 \frac{1}{2}$ "



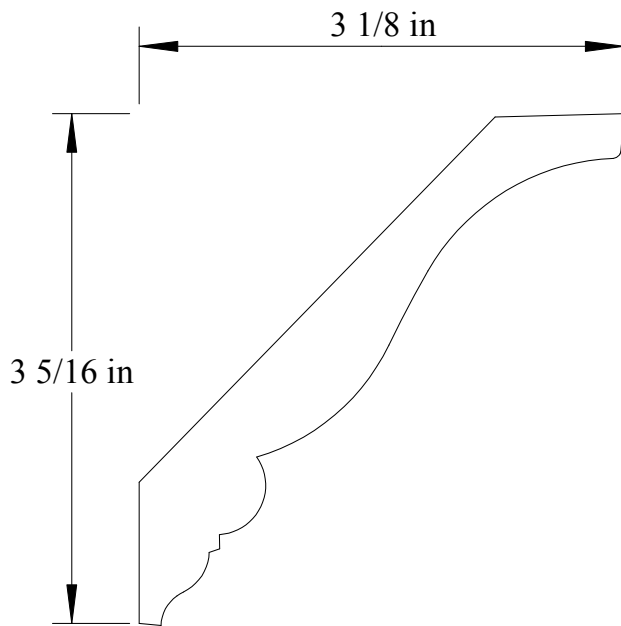
CROWN 345010 $1 \frac{5}{16}$ " X $4 \frac{1}{2}$ "



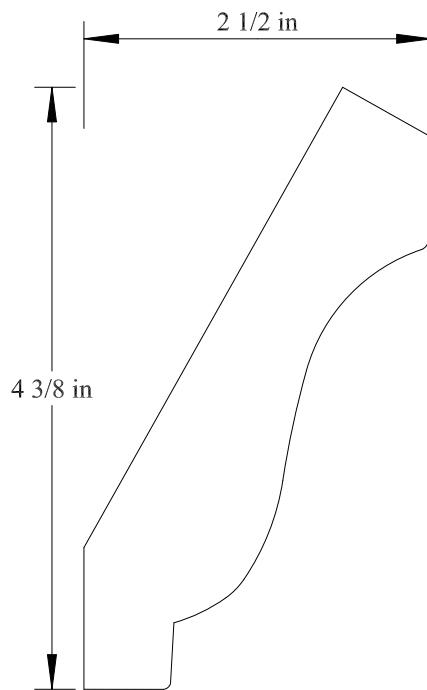
CROWN 3457 $\frac{7}{8}$ " X $4 \frac{9}{16}$ "



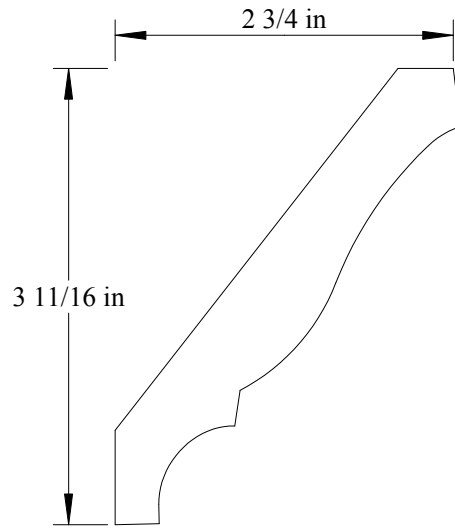
CROWN 34571 $\frac{3}{4}$ " X $4 \frac{9}{16}$ "



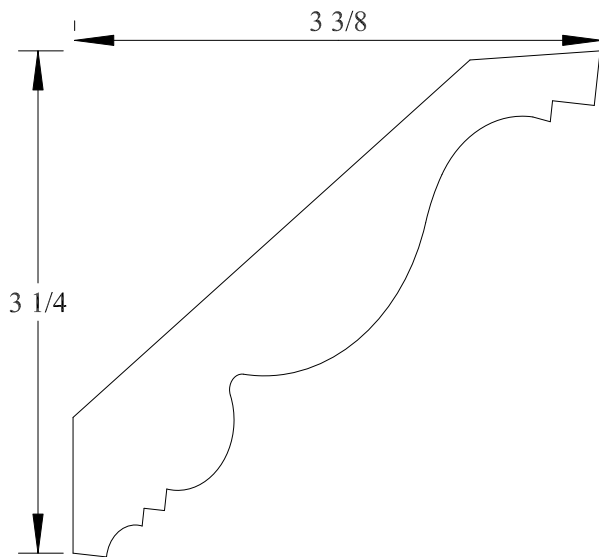
CROWN 34571 $3 \frac{3}{4}$ " X $4 \frac{9}{16}$ "



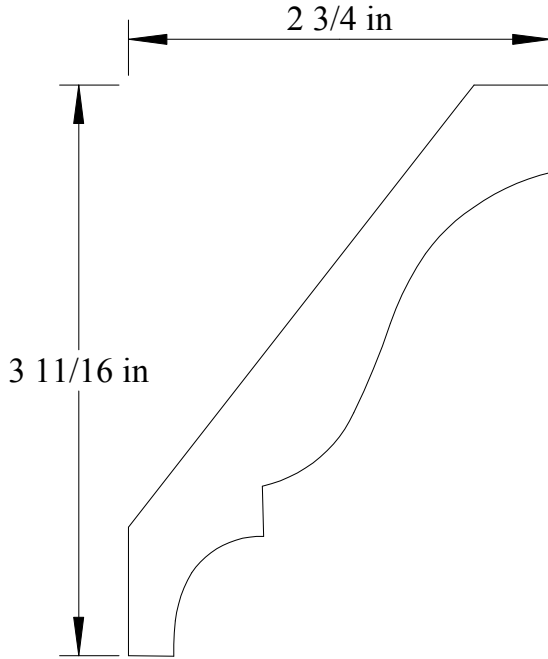
CROWN 34631 $1 \frac{1}{8}$ " X $4 \frac{5}{8}$ "



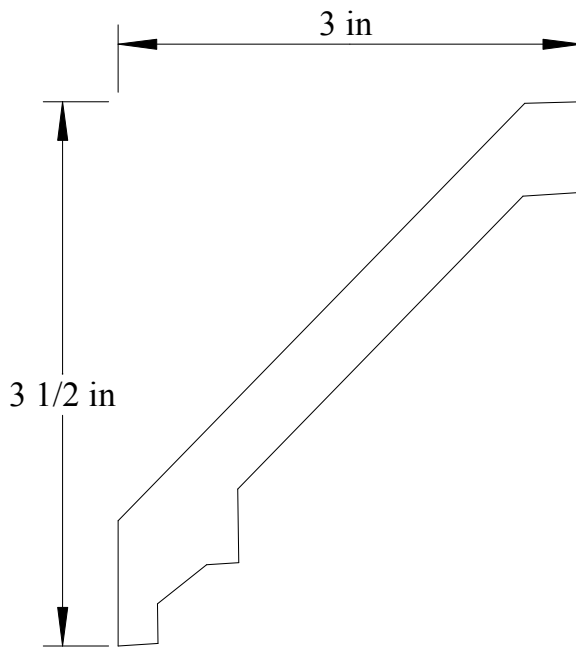
CROWN 34632 $\frac{3}{4}$ " X $4 \frac{5}{8}$ "



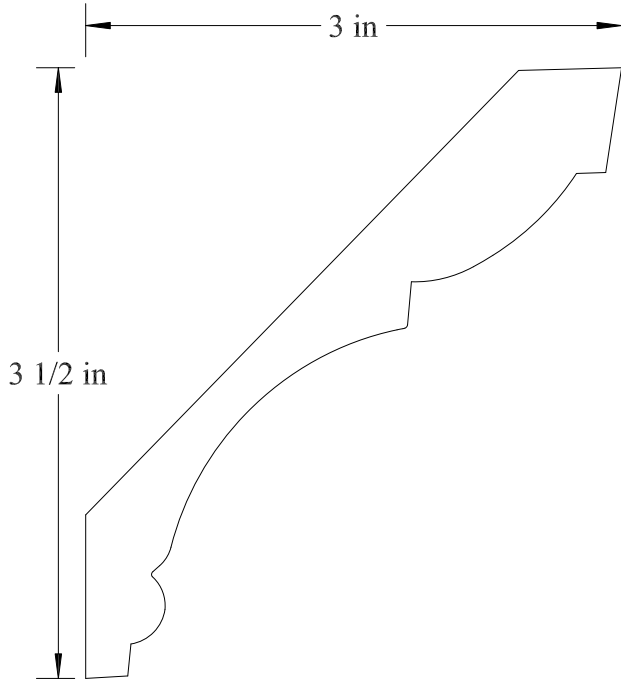
CROWN 34633 $\frac{7}{8}$ " X $4 \frac{5}{8}$ "



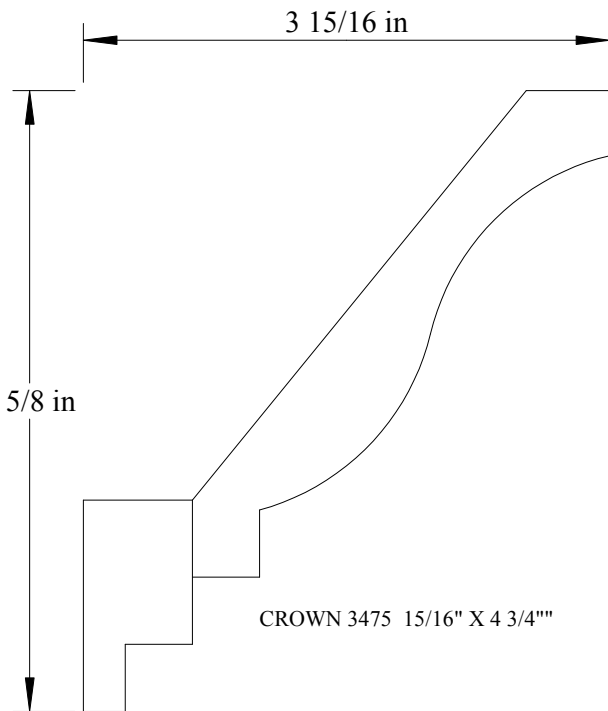
CROWN 34634 3/4" X 4 5/8"



CROWN 34635 3/4" X 4 5/8"

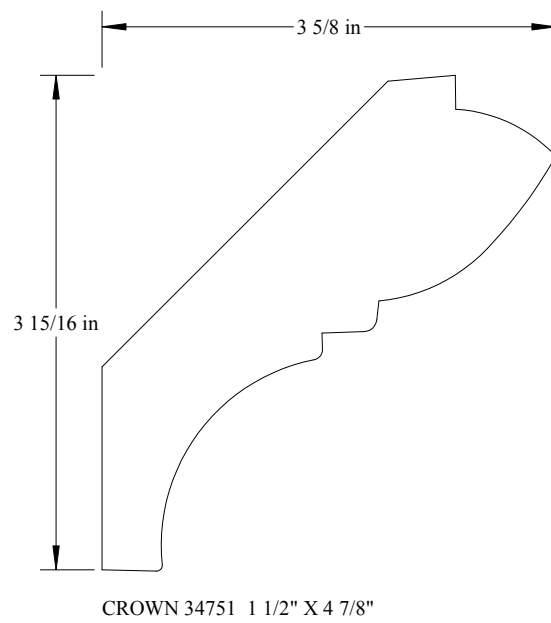
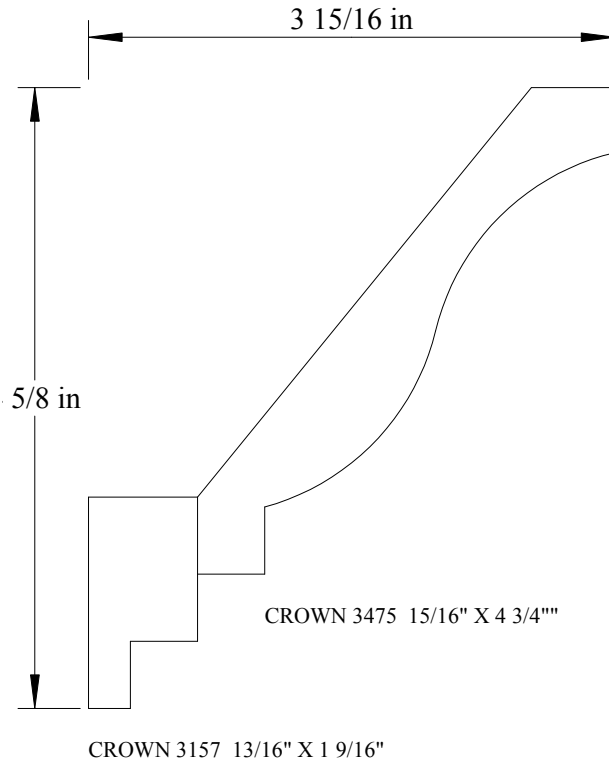


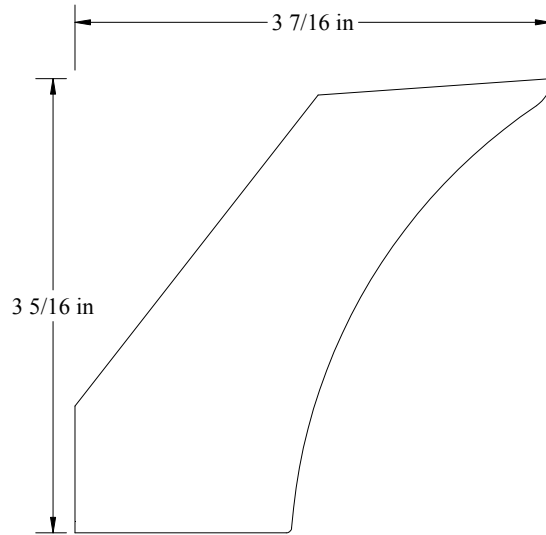
CROWN 3463 13/16" X 4 5/8"



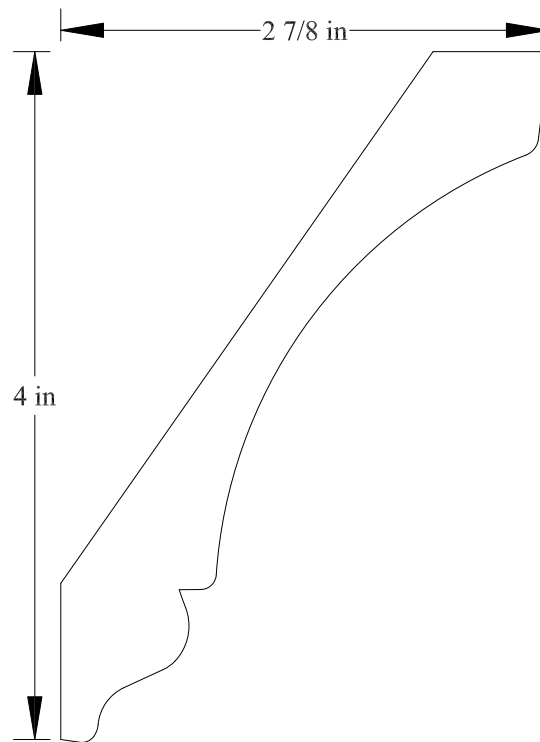
CROWN 3475 15/16" X 4 3/4"

CROWN 3157 13/16" X 1 9/16"

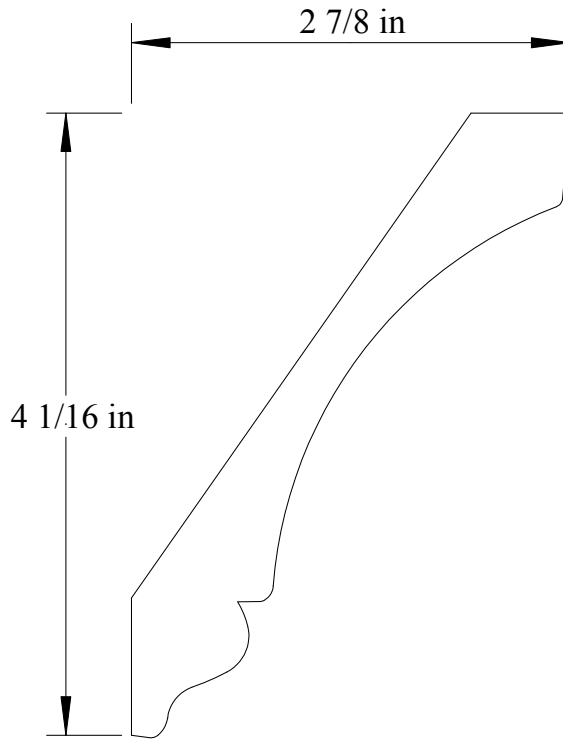




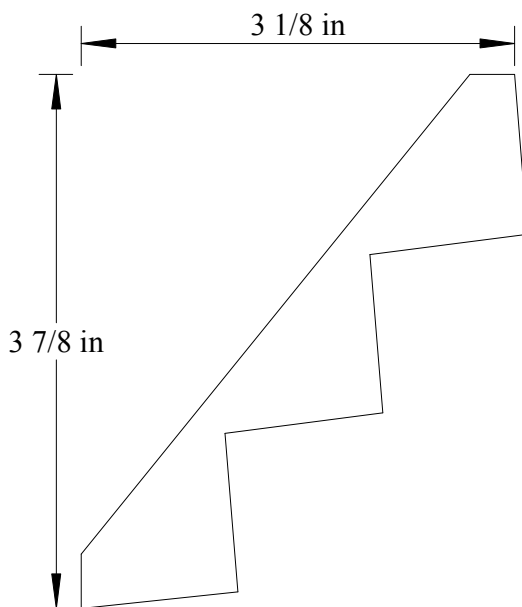
CROWN 34752 $1 \frac{3}{4}$ " X $4 \frac{3}{4}$ "



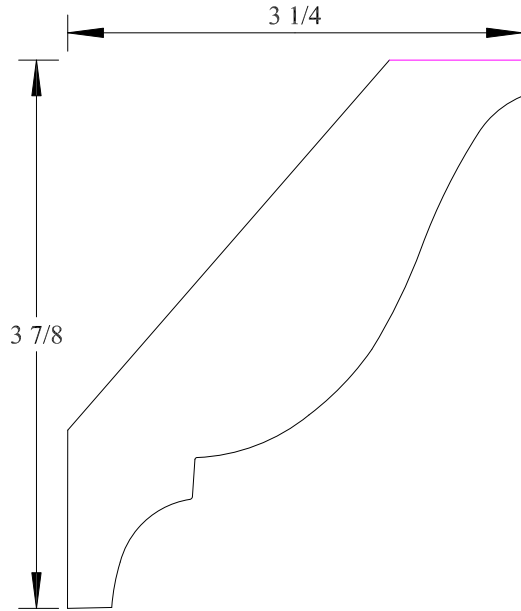
CROWN 3494 $1 \frac{3}{16}$ " X $4 \frac{15}{16}$ "



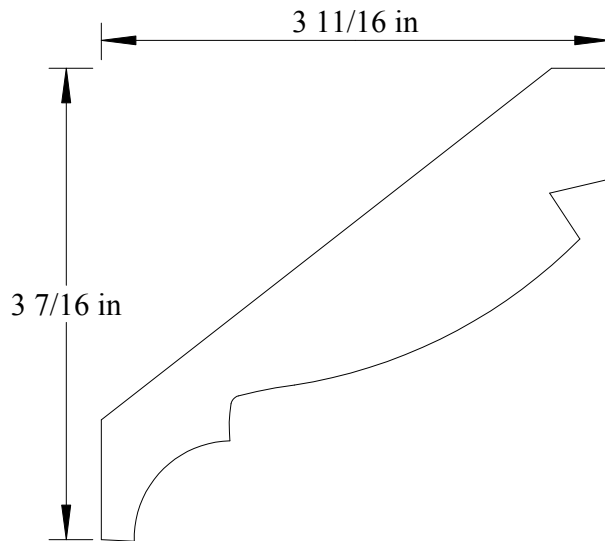
CROWN 34941 $1 \frac{3}{16}$ " X $4 \frac{15}{16}$ "



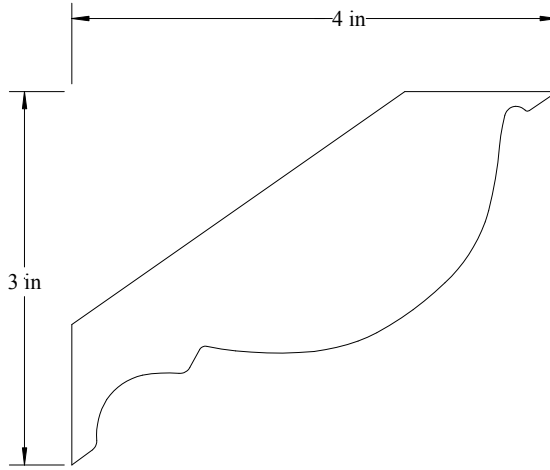
CROWN 3500 $1 \frac{1}{2}$ " X 5" OLD 500



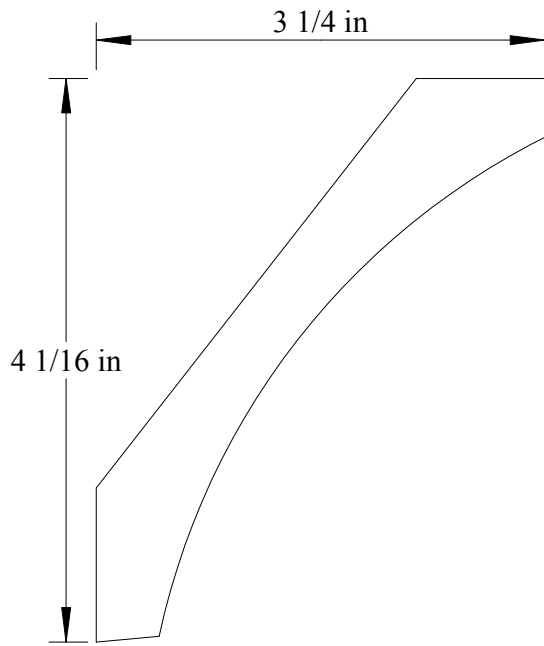
CROWN 35001 1 1/4" X 5"



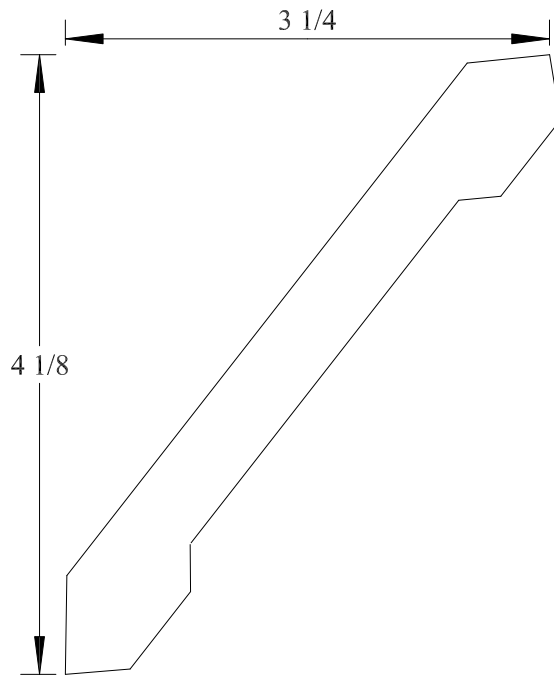
CROWN 35002 1 1/8" X 5"



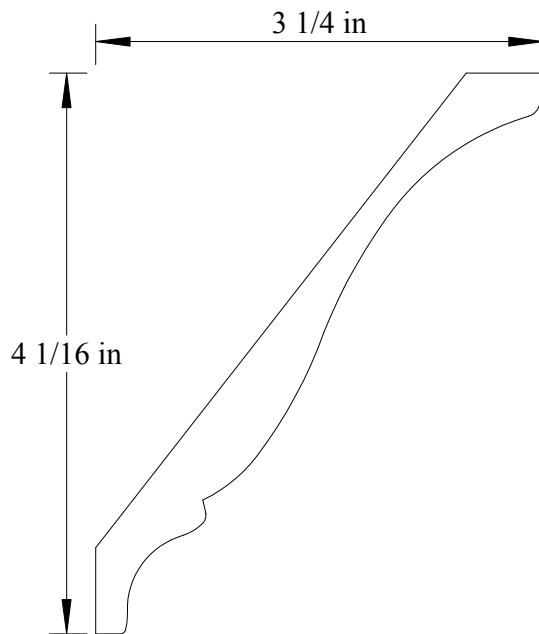
CROWN 35003 1 1/2" X 5"



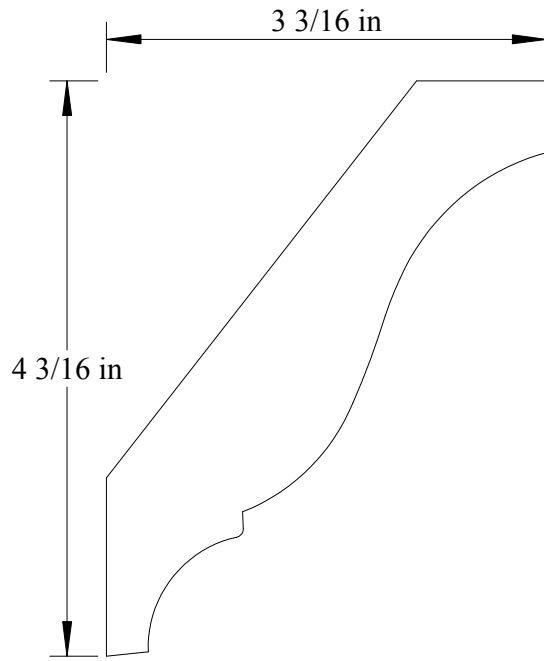
CROWN 3513 1" X 5 1/8"



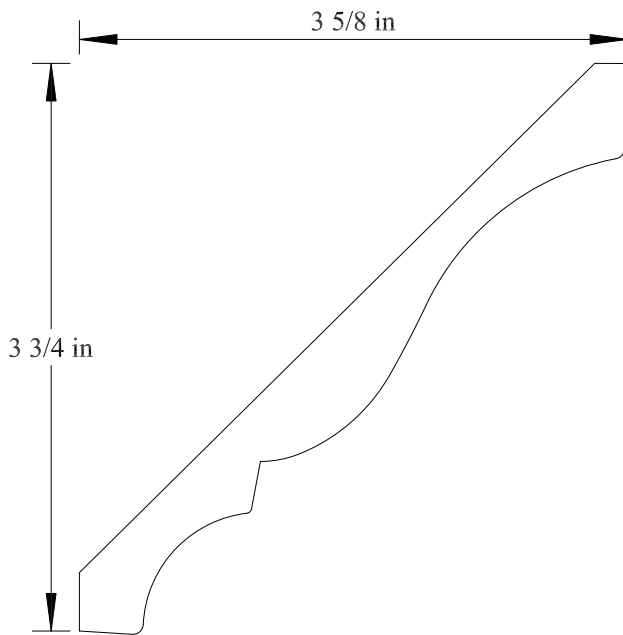
CROWN 35253 3/4" X 5 1/4"



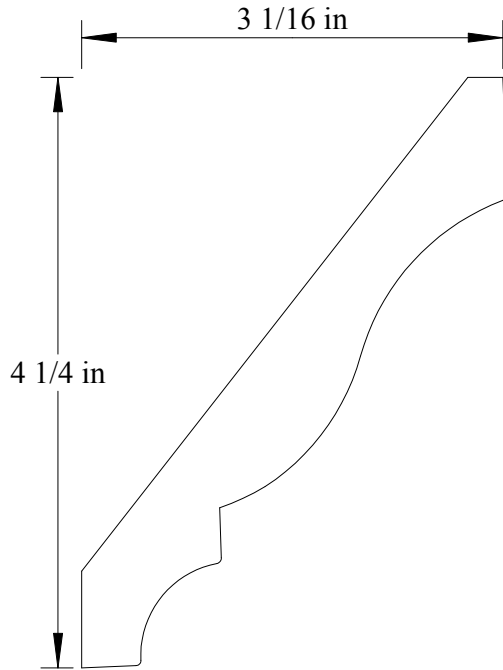
CROWN 35254 9/16" X 5 1/4" (SIMILAR TO MDF 45L)



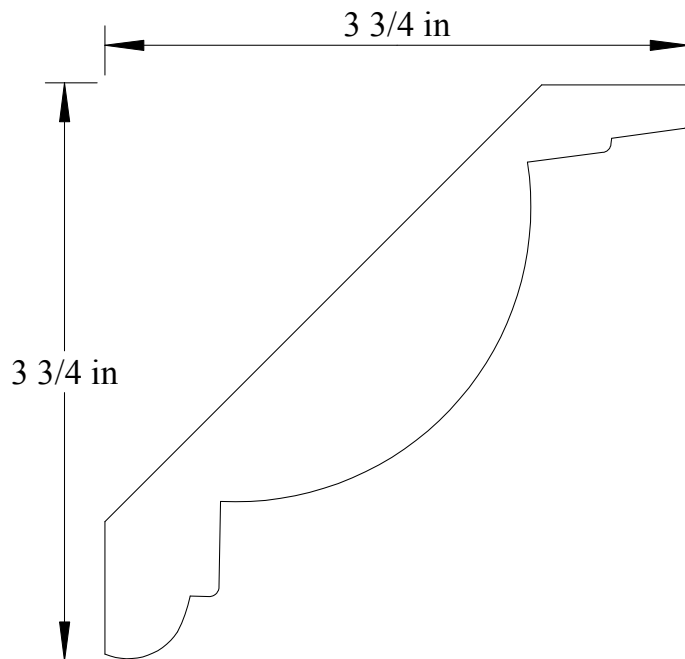
CROWN 35255 $1 \frac{1}{8}$ " X $5 \frac{1}{4}$ "



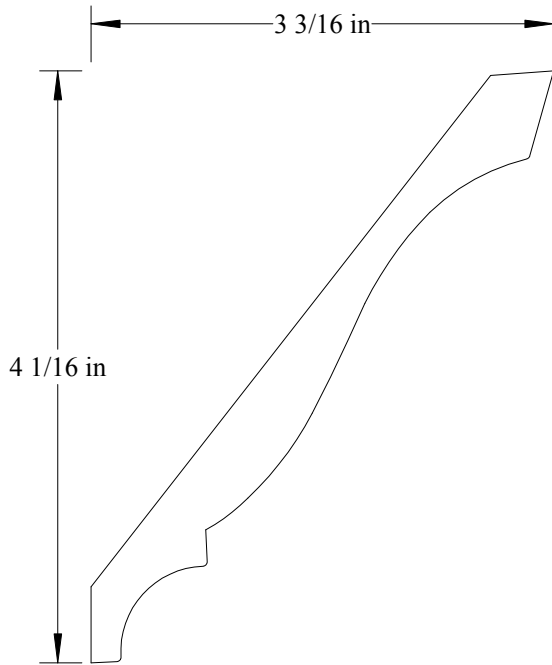
CROWN 35256 $\frac{9}{16}$ " X $5 \frac{1}{4}$ "
(Similar to MDF 45M)



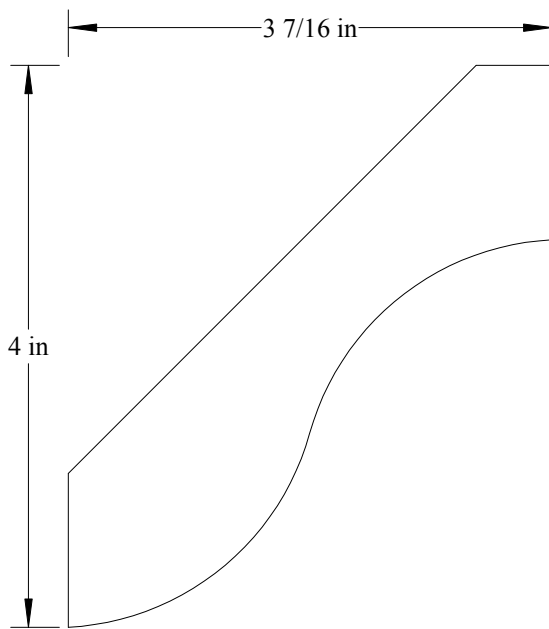
CROWN 35259 $\frac{3}{4}$ " X $5 \frac{1}{4}$ "



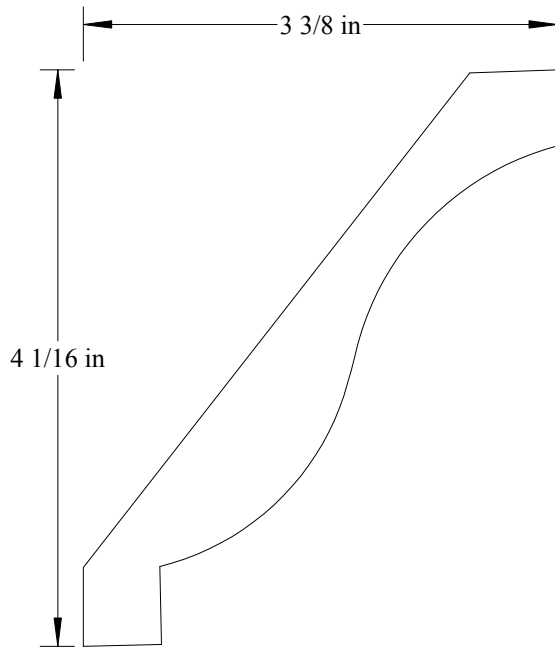
CROWN 352510 $1 \frac{1}{16}$ " X $5 \frac{1}{4}$ "



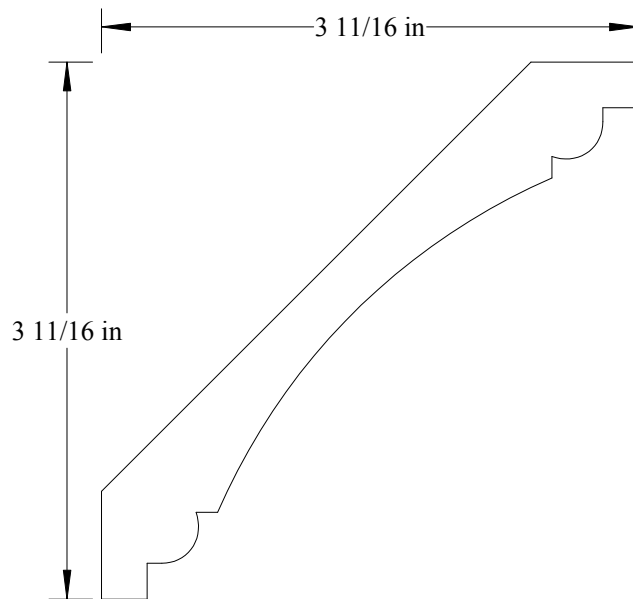
CROWN 352511 $9/16$ " X $5 \frac{3}{16}$ "



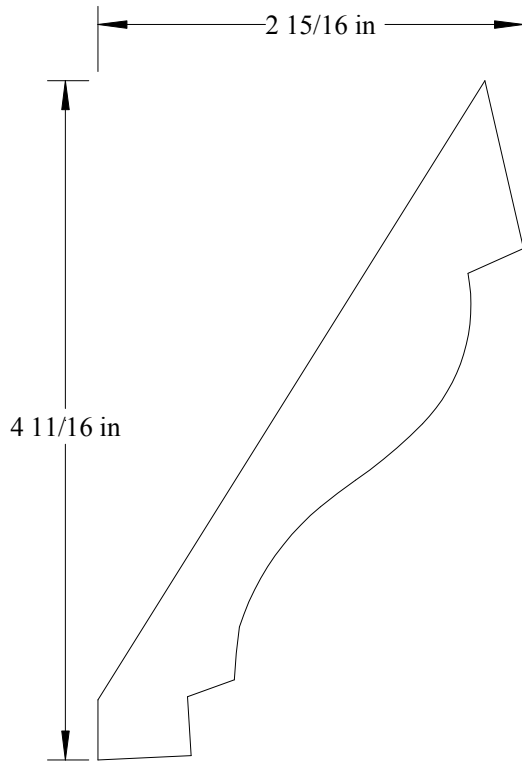
CROWN 352512 $1 \frac{1}{4}$ " X $5 \frac{1}{4}$ "



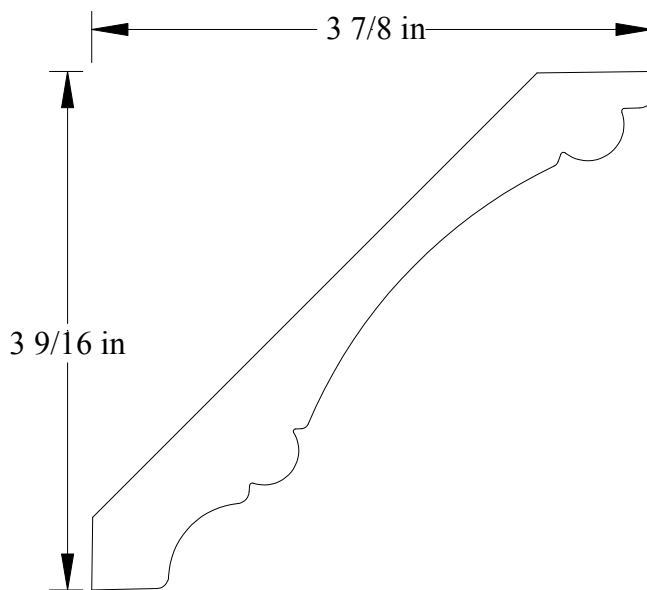
CROWN 352513 $1 \frac{3}{16}$ " X $5 \frac{1}{4}$ "



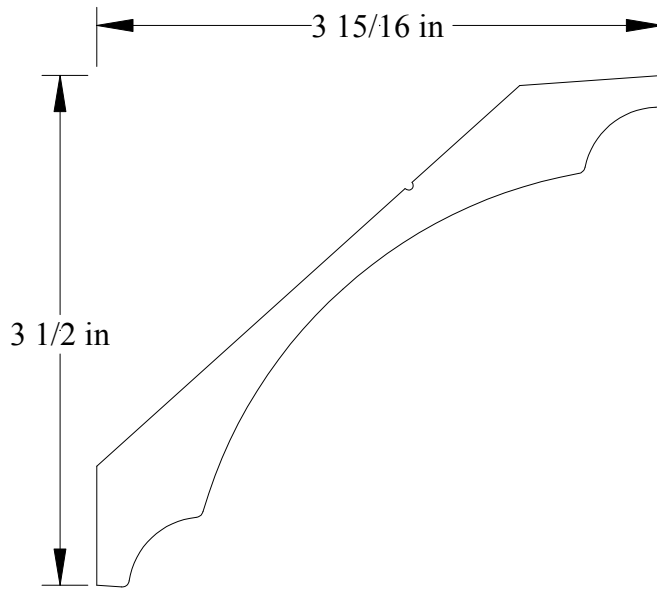
CROWN 352514 $\frac{3}{4}$ " X $5 \frac{1}{4}$ "



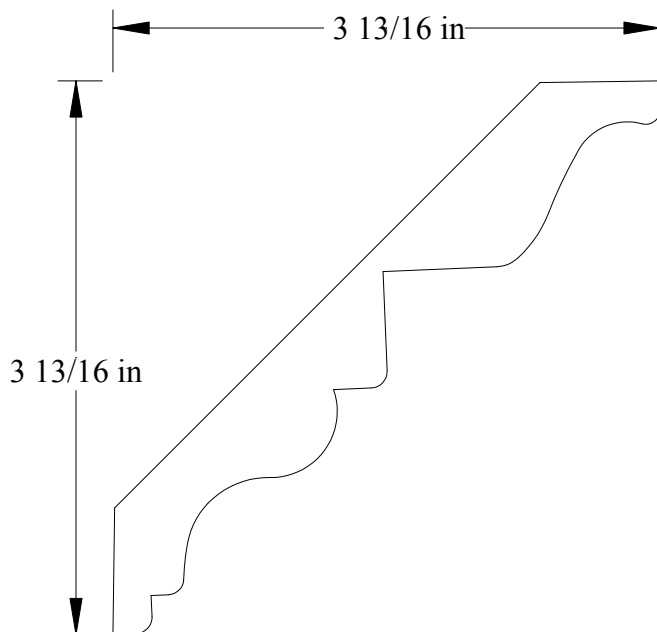
CROWN 352515 $1 \frac{15}{16}$ " X $5 \frac{3}{8}$ "



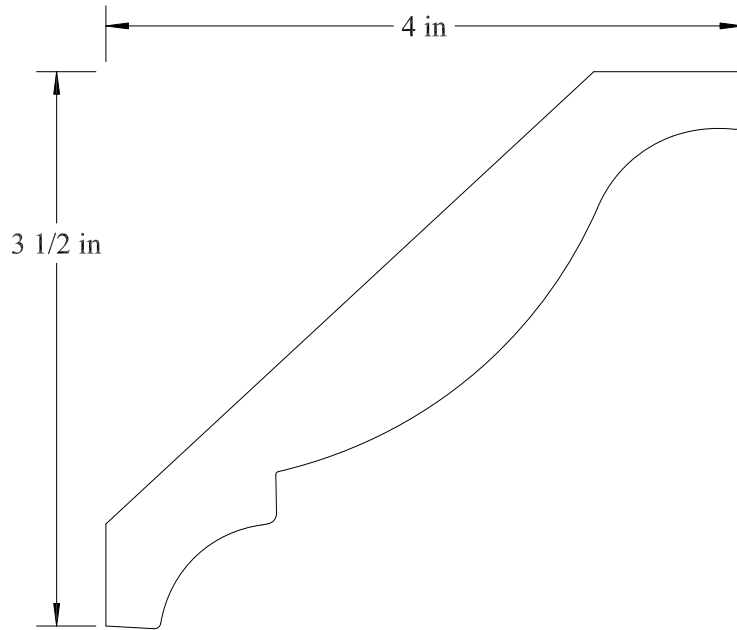
CROWN 352517 $\frac{3}{4}$ " X $5 \frac{1}{4}$ "



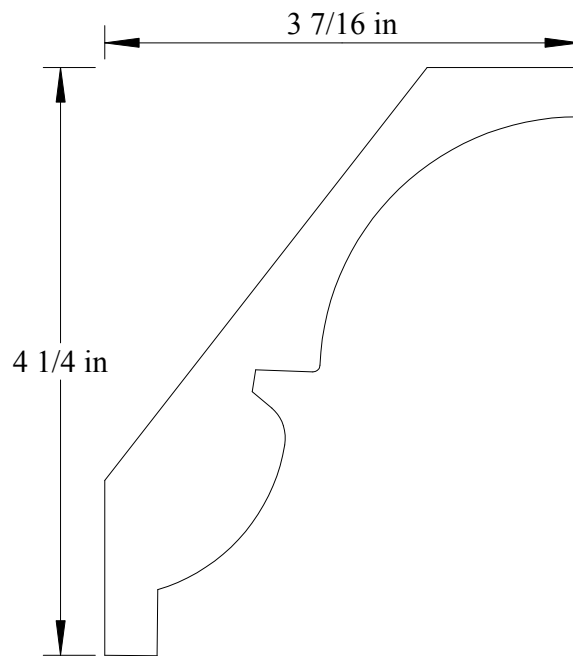
CROWN 352518 3/4" X 5 1/4"



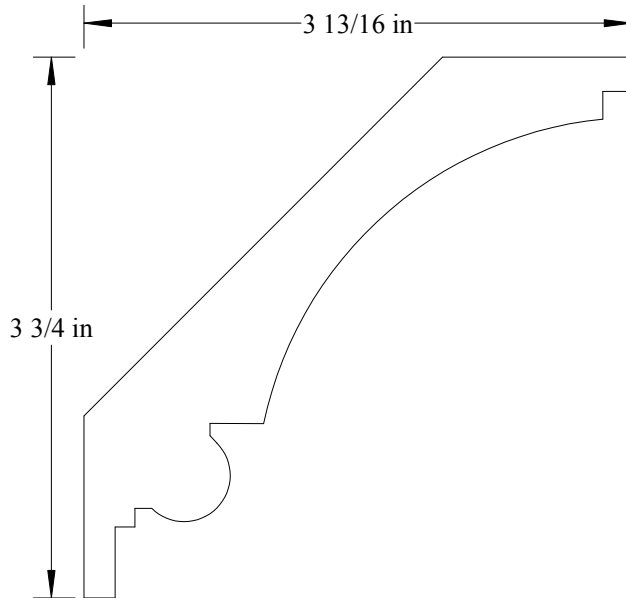
CROWN 352519 3/4" X 5 3/8"



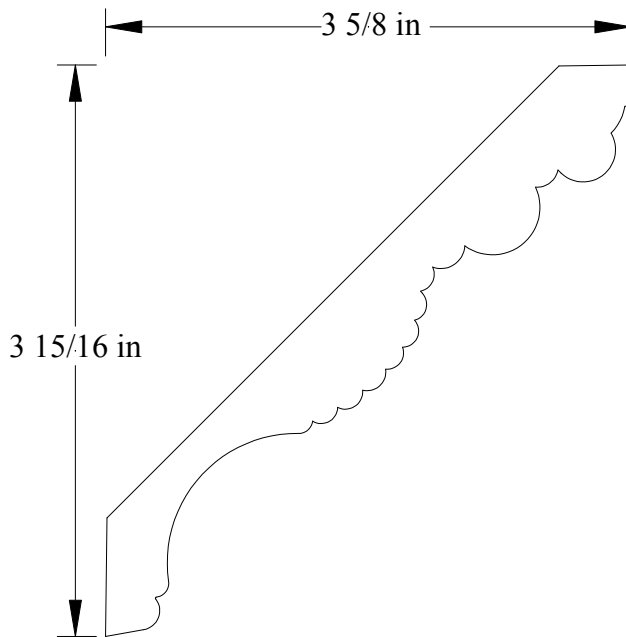
CROWN 352520 7/8" X 5 1/4"



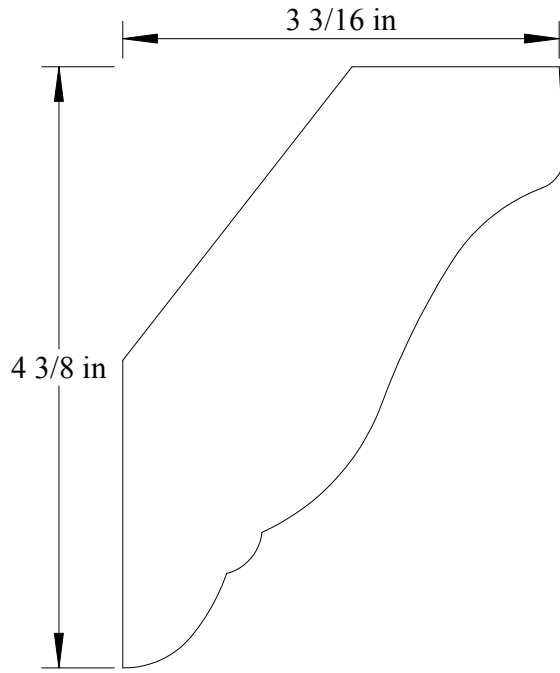
CROWN 3532 1 1/16" X 5 1/2"



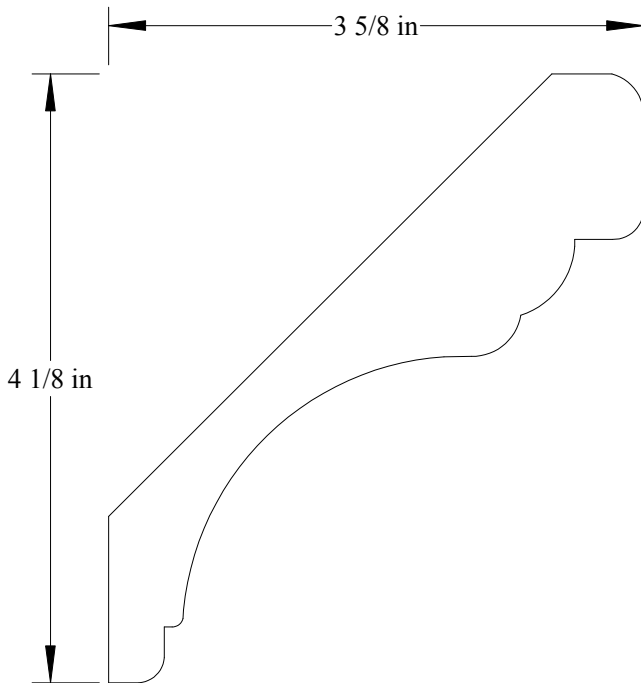
CROWN 35321 1 1/8" X 5 5/16"



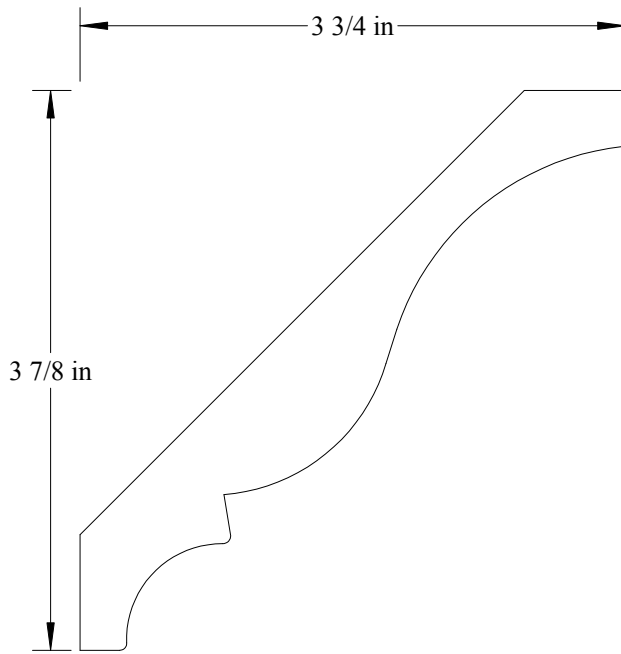
CROWN 35322 3/4" X 5 5/16"



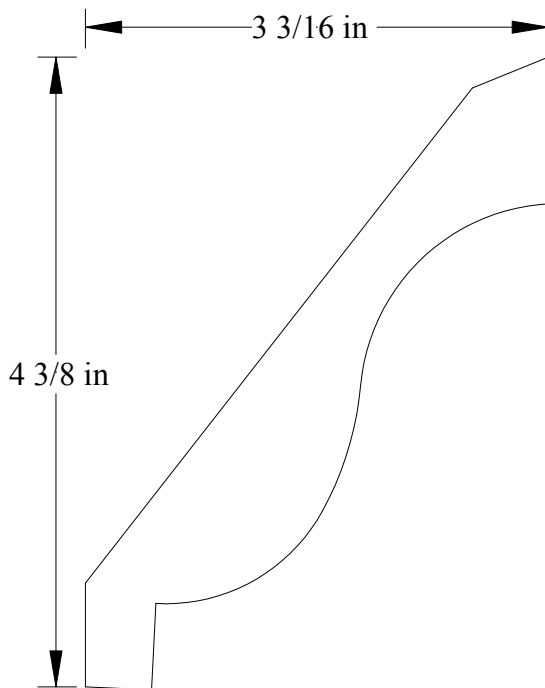
CROWN 3538 $1 \frac{3}{4}$ " X $5 \frac{3}{8}$ "



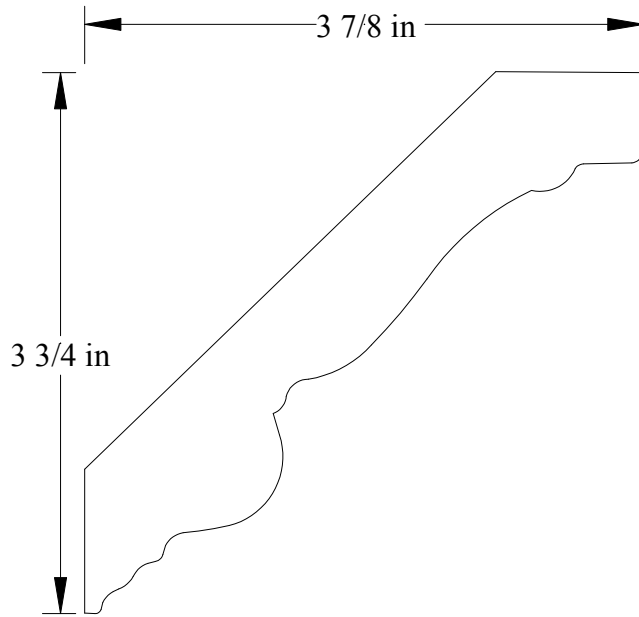
CROWN 35381 $1 \frac{1}{8}$ " X $5 \frac{3}{8}$ "



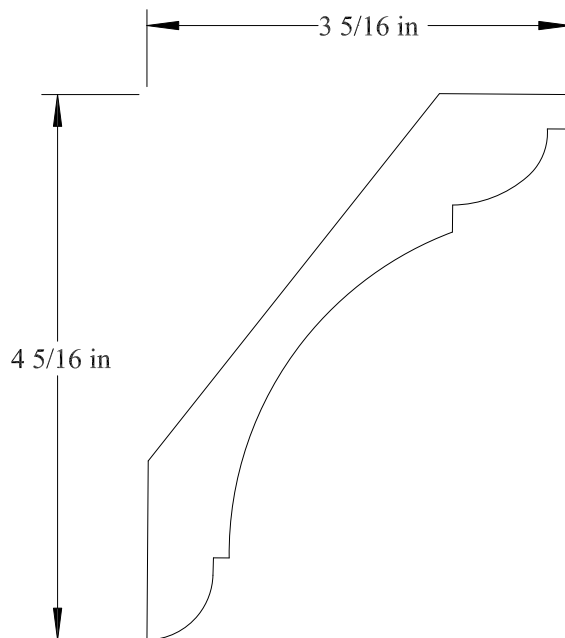
CROWN 35382 13/16" X 5 3/8"



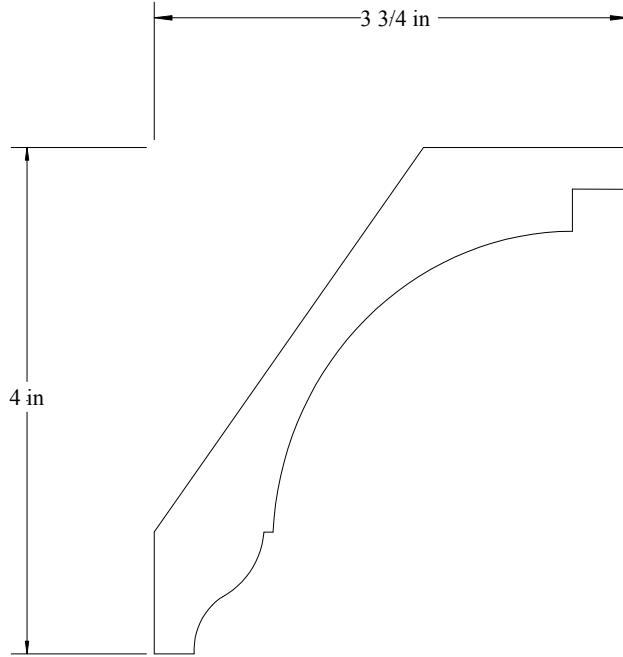
CROWN 35383 1" X 5 3/8"



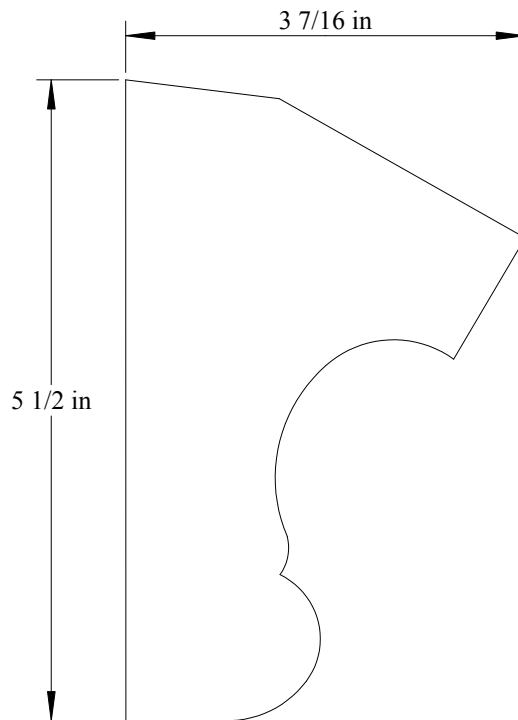
CROWN 35384 $1 \frac{1}{8}$ " X $5 \frac{3}{8}$ "



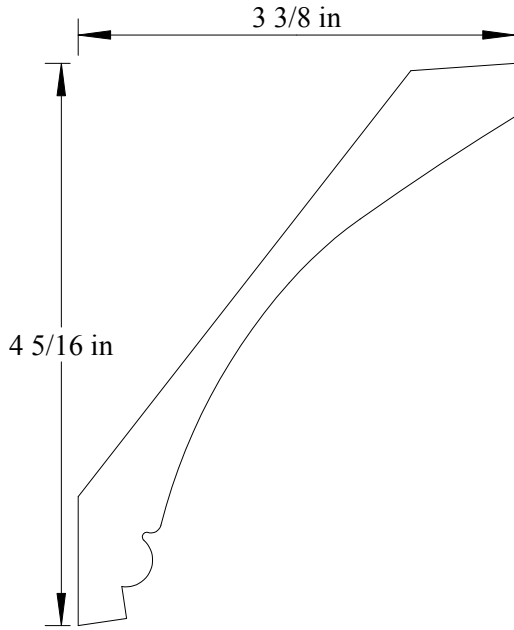
CROWN 35385 $1 \frac{1}{16}$ " X $5 \frac{7}{16}$ "



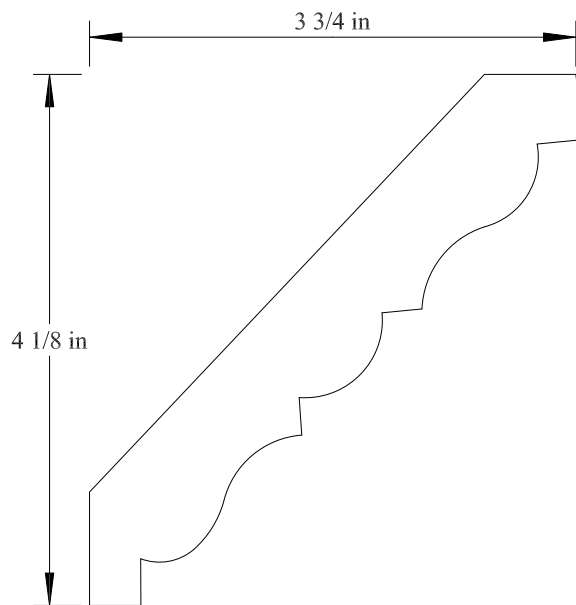
CROWN 3544 1 1/2" X 5 7/16"



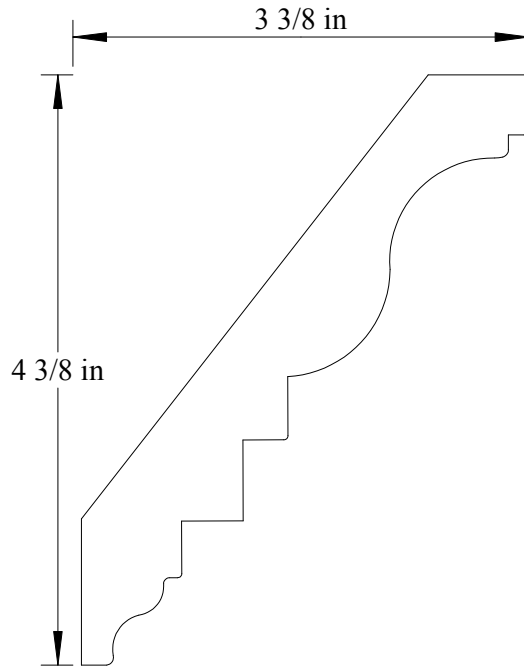
CROWN 3550 3 3/8" X 5 1/2"



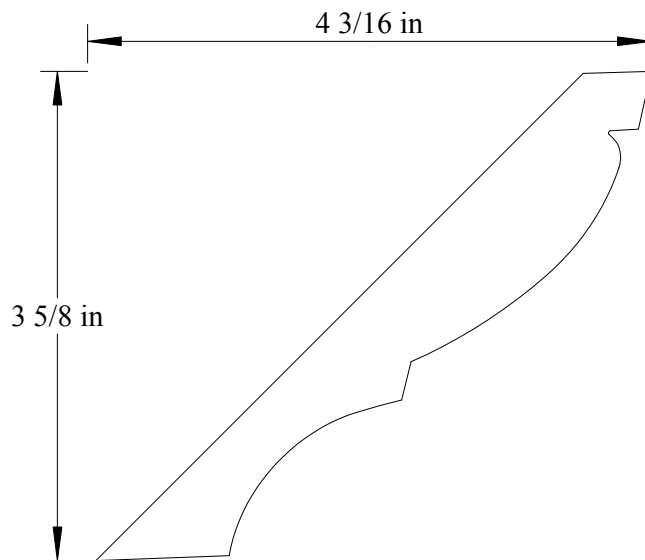
CROWN 35502 7/8" X 5 1/2" OLD 550-1



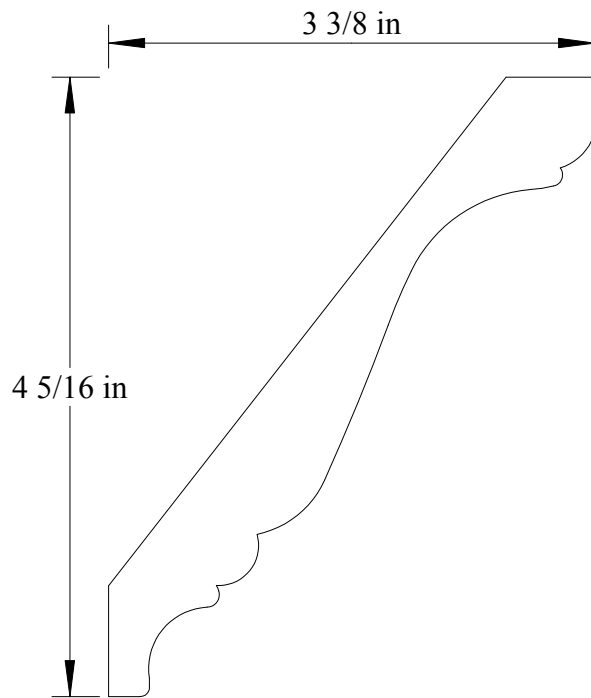
CROWN 35503 1 1/16" X 5 1/2"



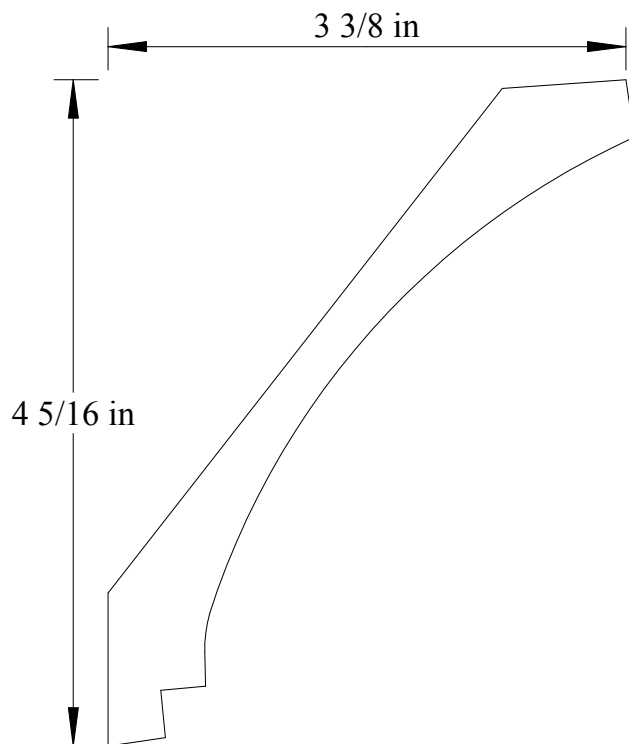
CROWN 35504 $\frac{3}{4}$ " X $5 \frac{1}{2}$ " (DENTIL)



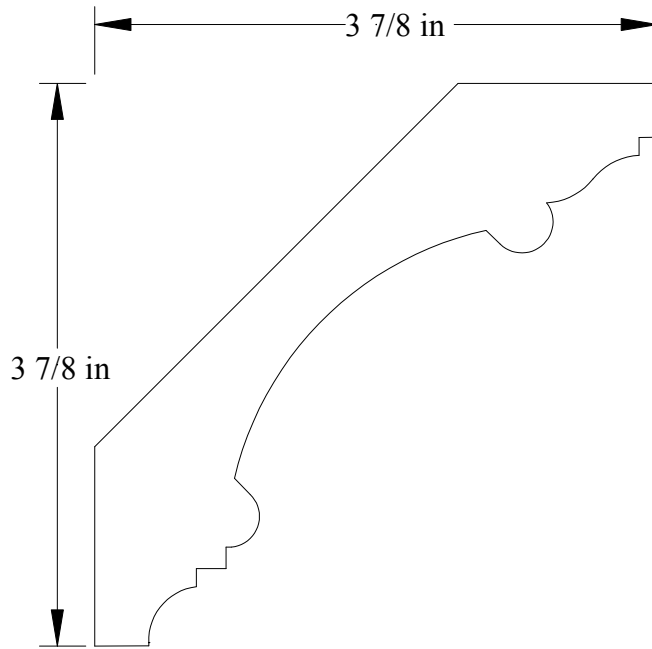
CROWN 35505 $\frac{7}{8}$ " X $5 \frac{1}{2}$ "



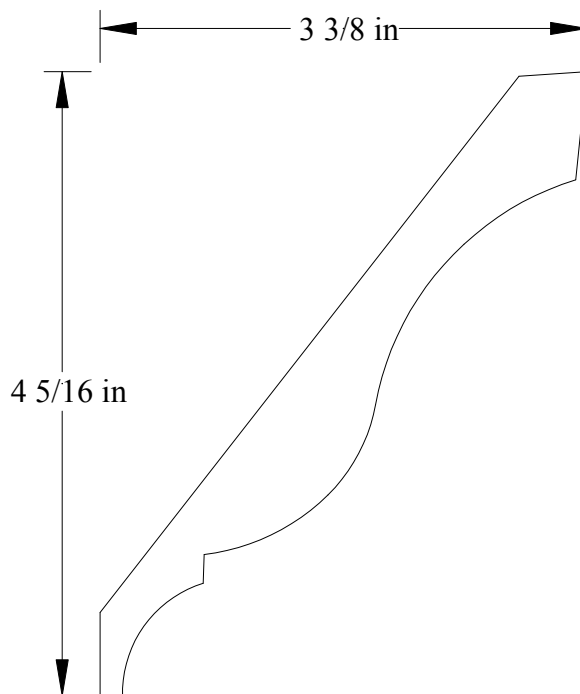
CROWN 35506 $\frac{3}{4}$ " X $5 \frac{1}{2}$ "



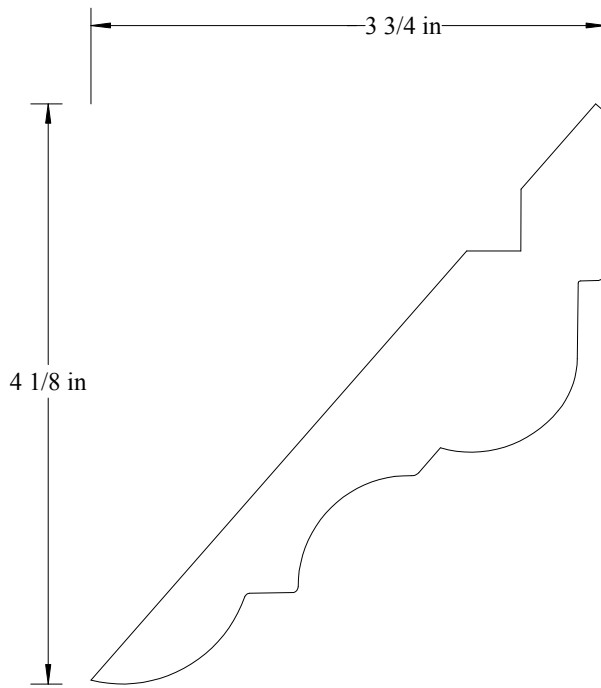
CROWN 35509 $\frac{7}{8}$ " X $5 \frac{1}{2}$ "



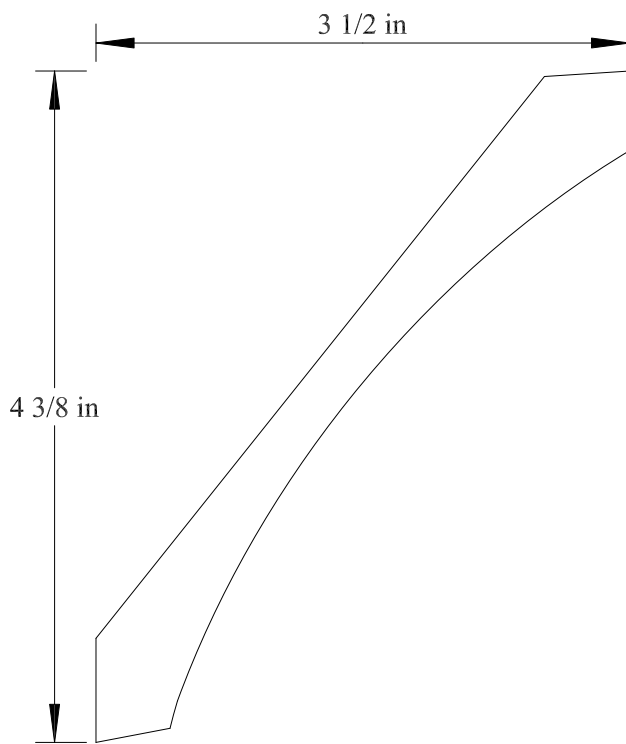
CROWN 355010 1 1/4" X 5 1/2"



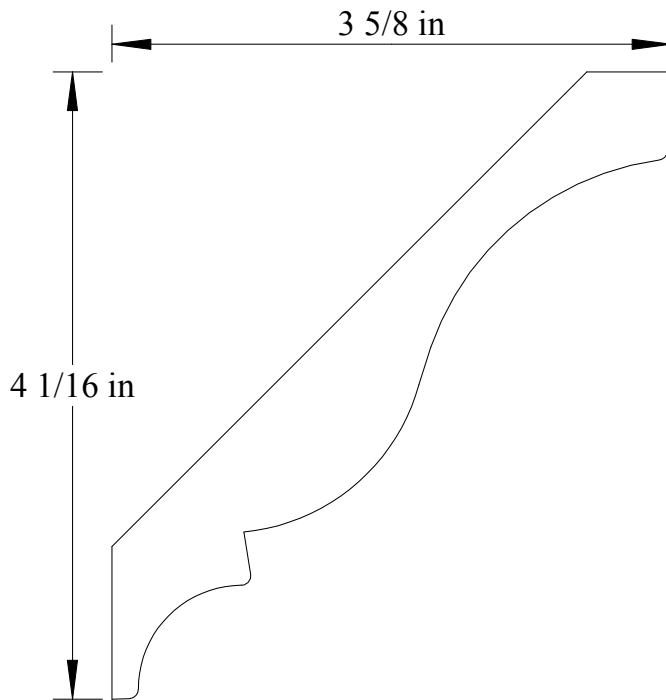
CROWN 355011 3/4" X 5 1/2"



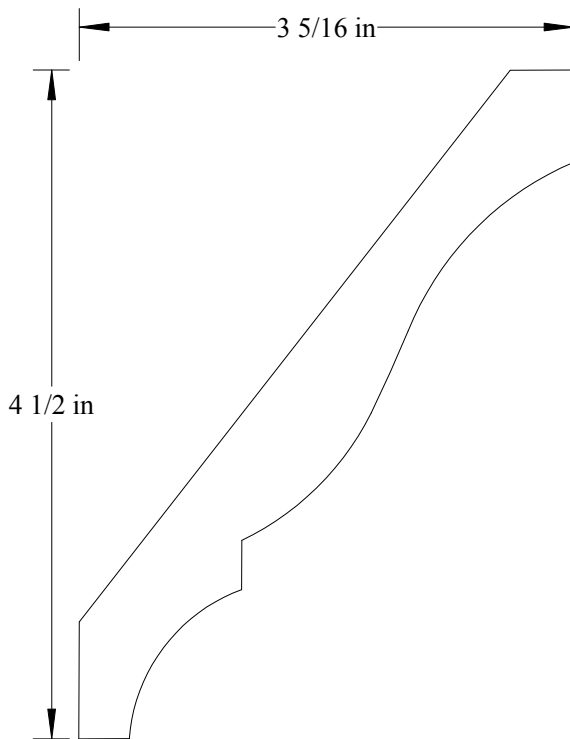
CROWN 355012 1 1/4" X 5 1/2"



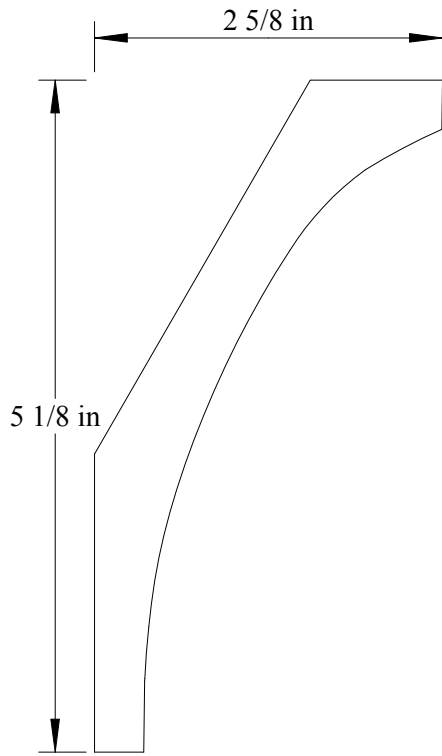
CROWN 3563 3/4" X 5 5/8"



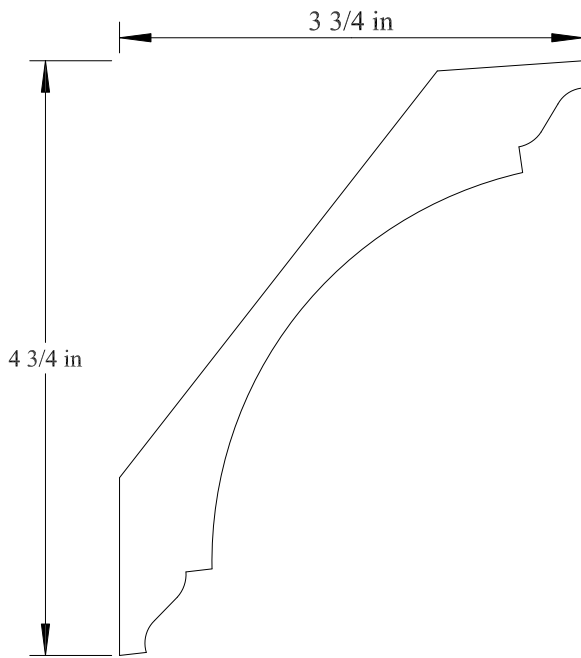
CROWN 35631 $1 \frac{3}{16}$ " X $5 \frac{3}{8}$ "



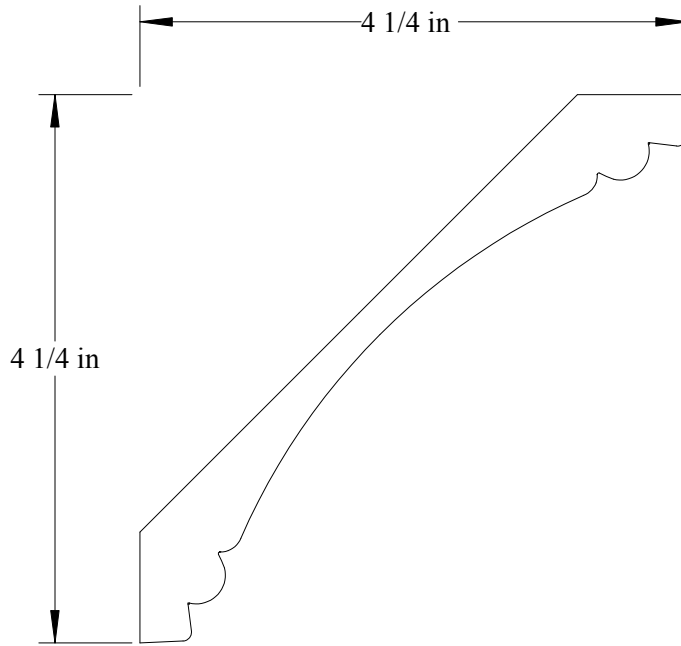
CROWN 35632 $\frac{3}{4}$ " X $5 \frac{5}{8}$ "



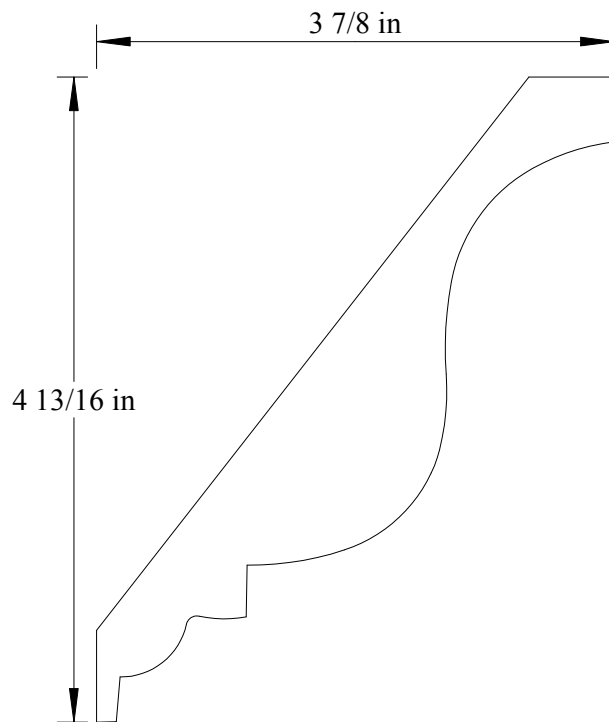
CROWN 3575 $1 \frac{7}{16}$ " X $5 \frac{3}{4}$ "



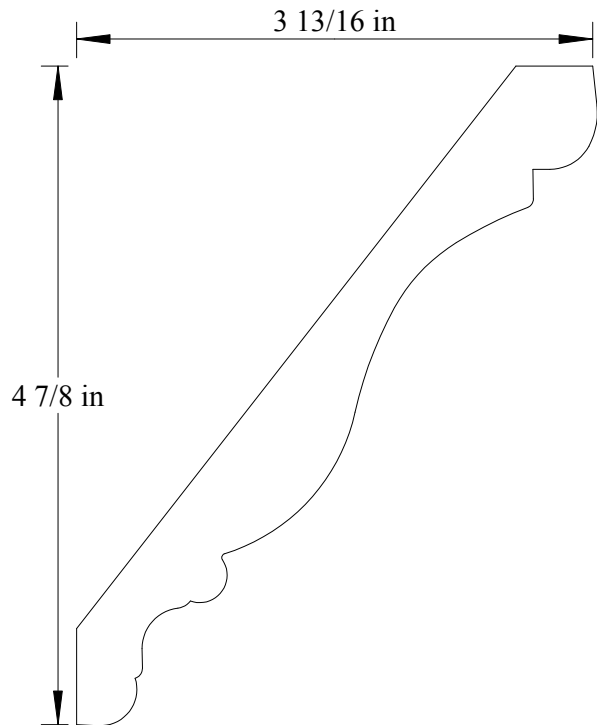
CROWN 3600 1" X 6"



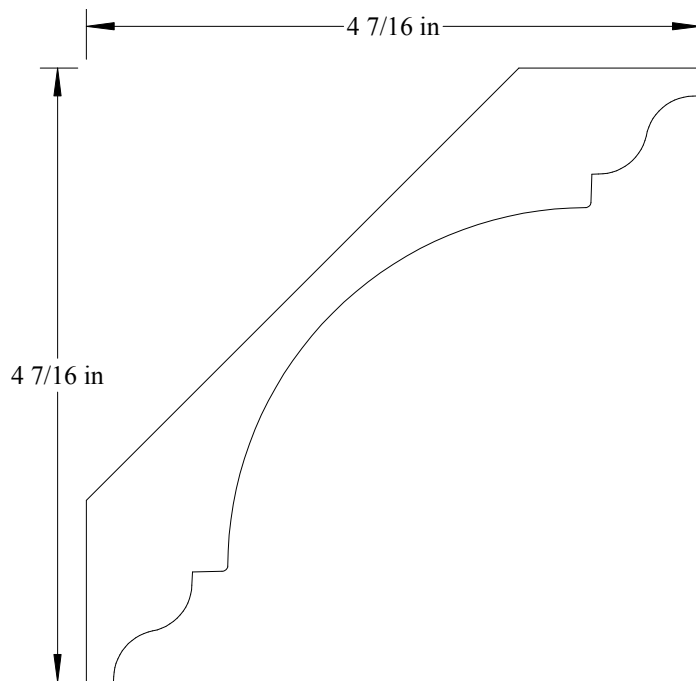
CROWN 36001 7/8" X 6"



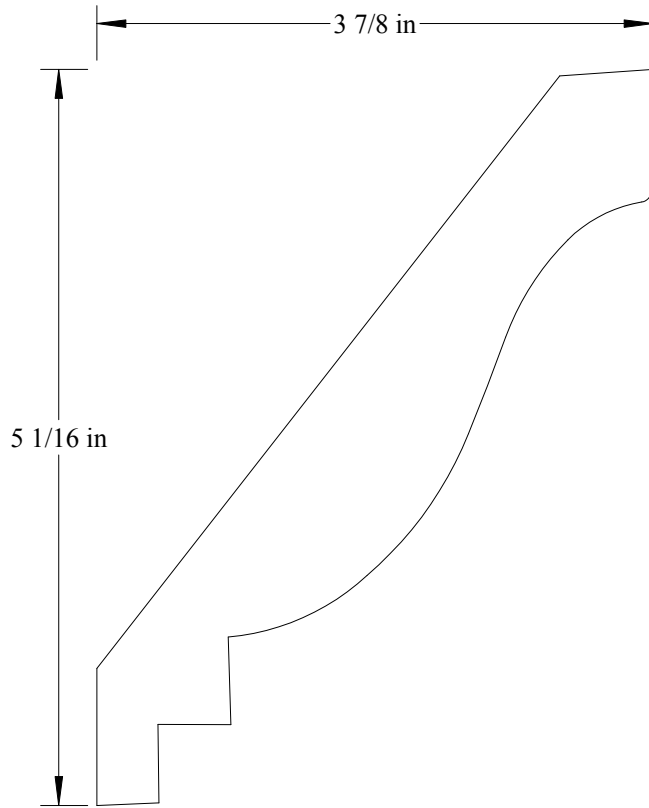
CROWN 36131 1 1/4" X 6 1/8"



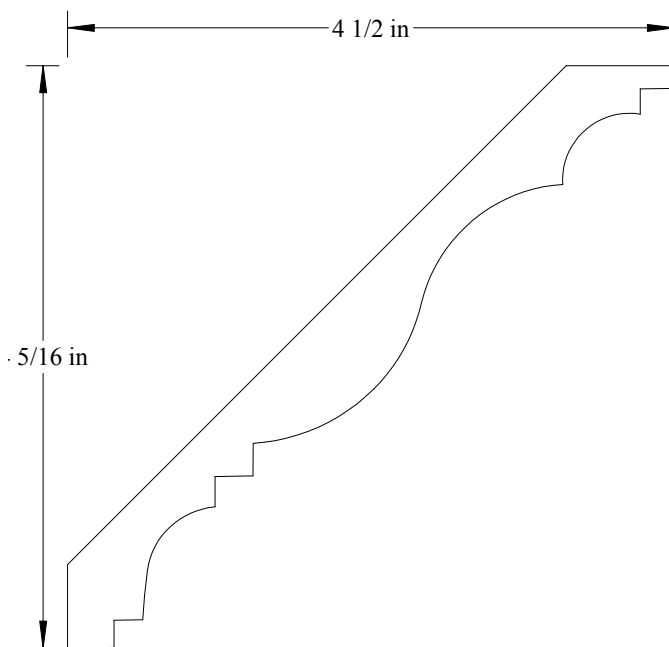
CROWN 36252 $3 \frac{3}{4}$ " X $6 \frac{1}{4}$ " OLD 625



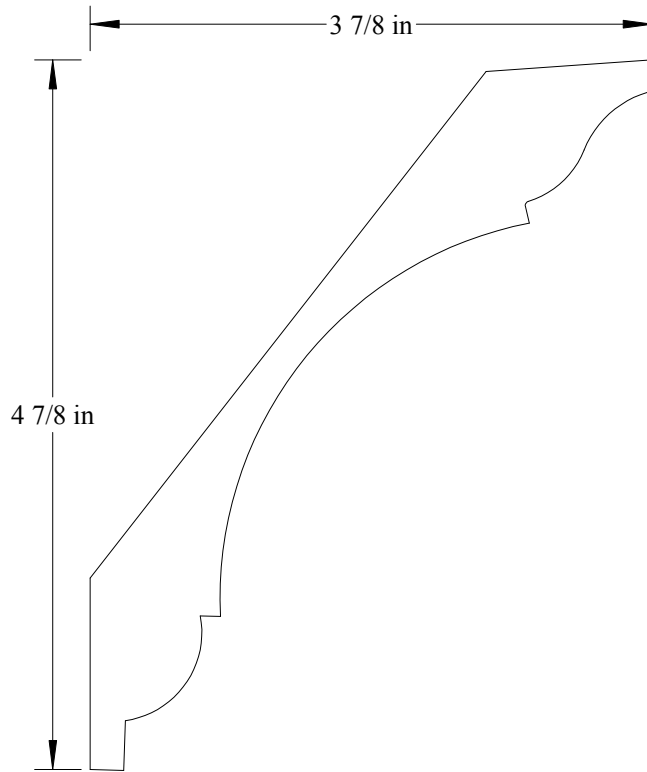
CROWN 36253 $1 \frac{1}{16}$ " X $6 \frac{1}{4}$ "



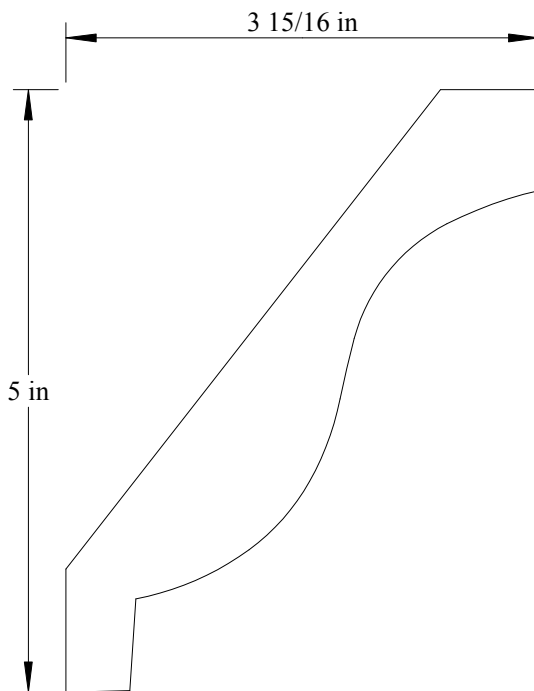
CROWN 36254 1 1/8" X 6 3/8"



CROWN 36255 1 1/16" X 6 1/4"



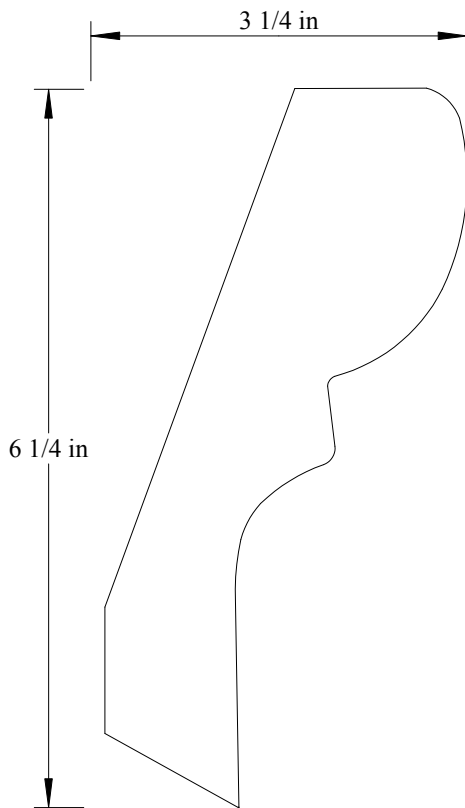
CROWN 36256 1" X 6 1/4"



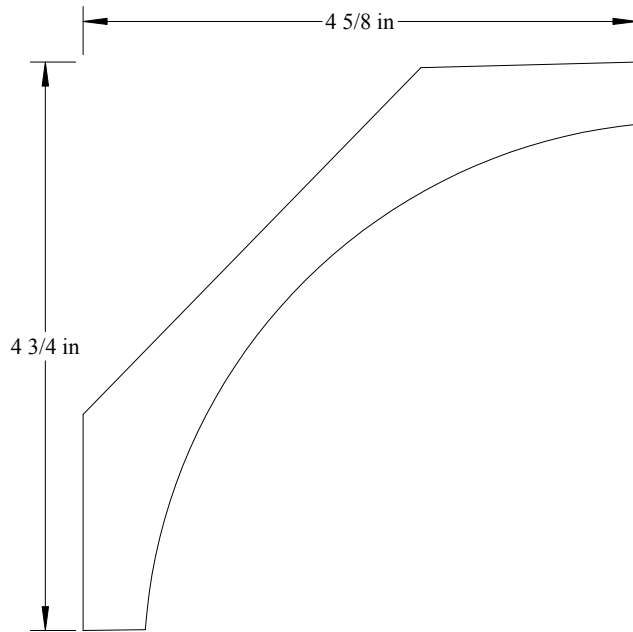
CROWN 3638 1 3/16" X 6 3/8"



CROWN 3650 1 1/8" X 6 1/2"



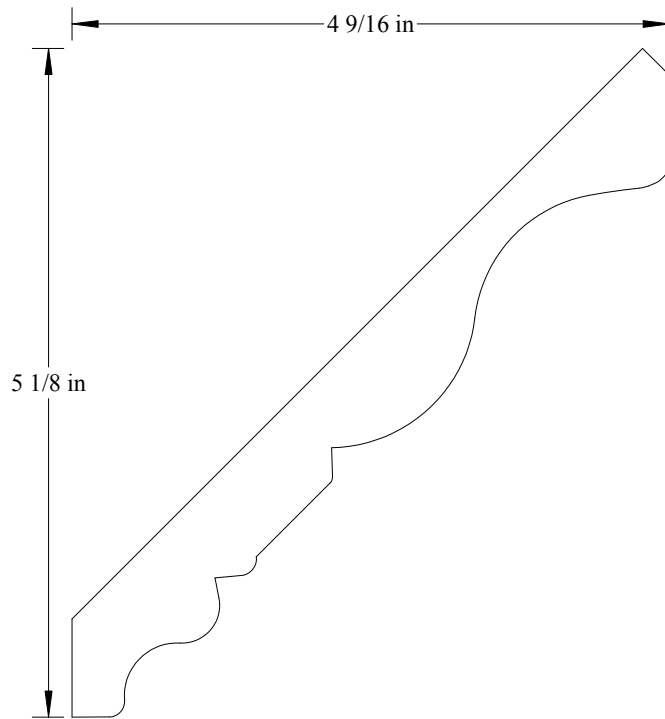
CROWN 36501 1 13/16" X 6 1/2"



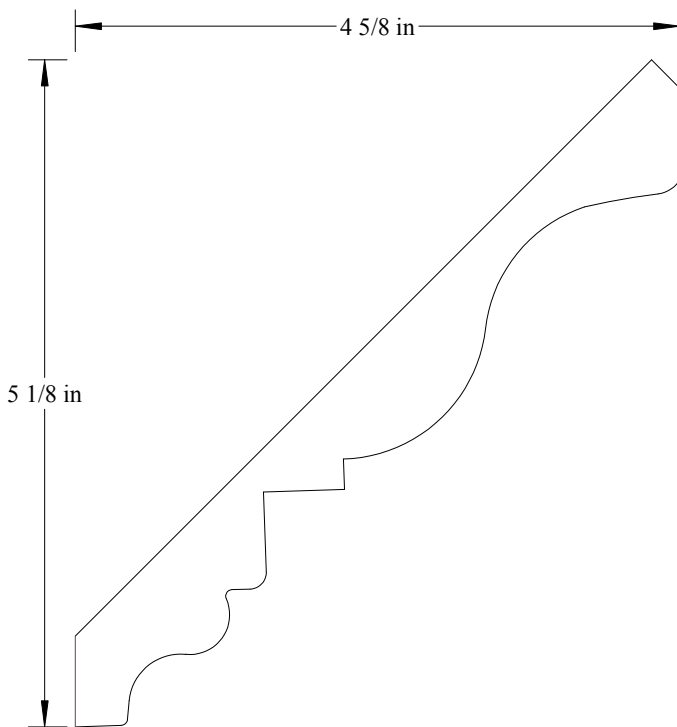
CROWN 3663 $1 \frac{11}{16}$ " X $6 \frac{5}{8}$ "



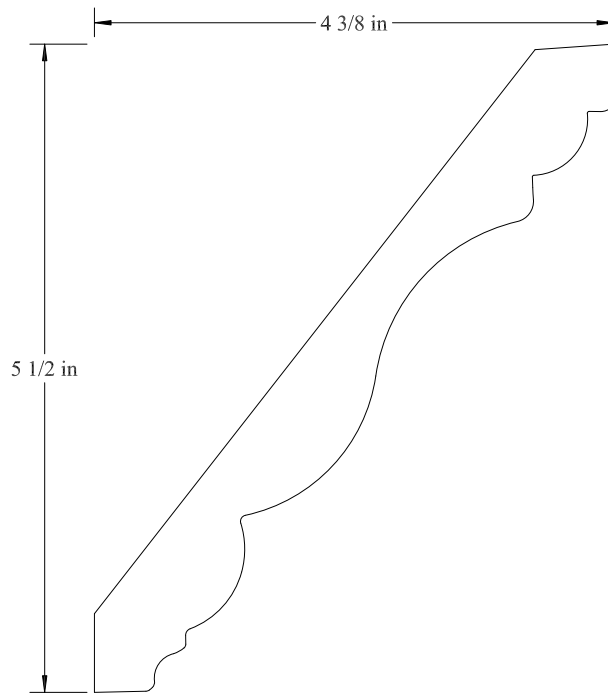
CROWN 3675 1" X $6 \frac{13}{16}$ "



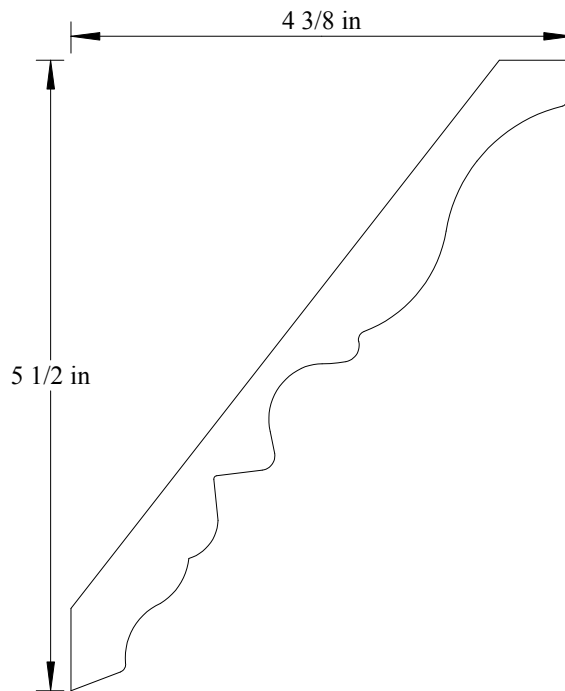
CROWN 36751 $1 \frac{3}{16}$ " X $6 \frac{3}{4}$ "



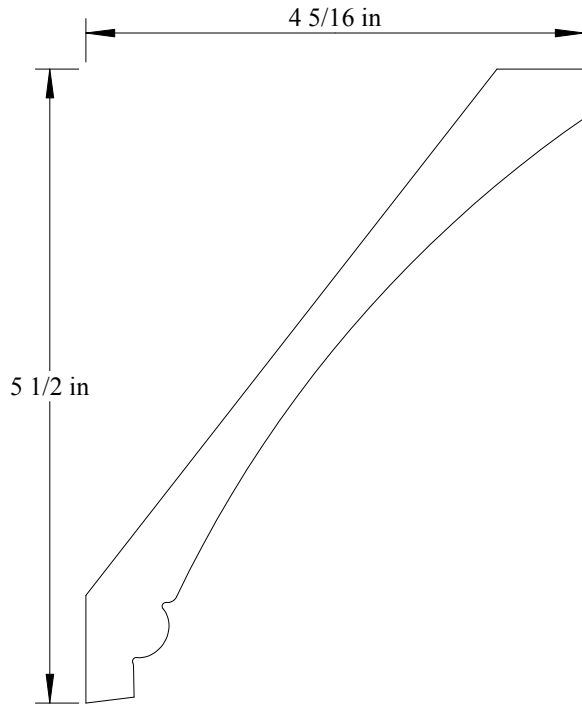
CROWN 36752 $1 \frac{3}{16}$ " X $6 \frac{3}{4}$ "



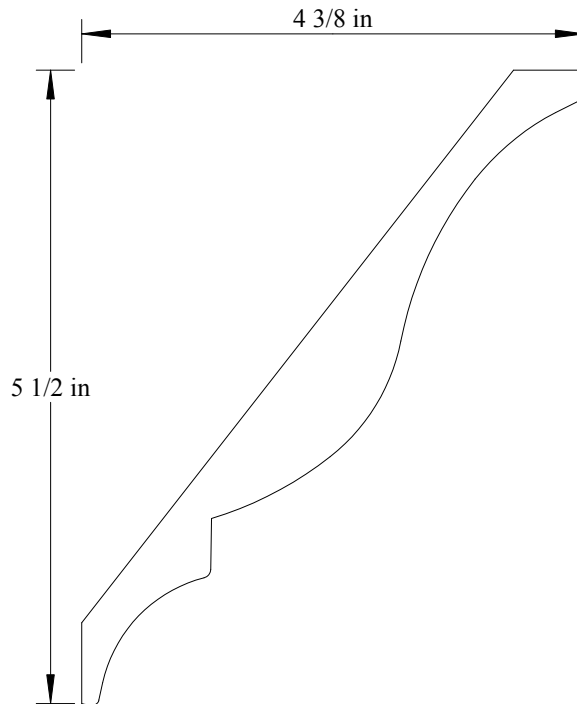
CROWN 37001 13/16" X 7" OLD 700-1



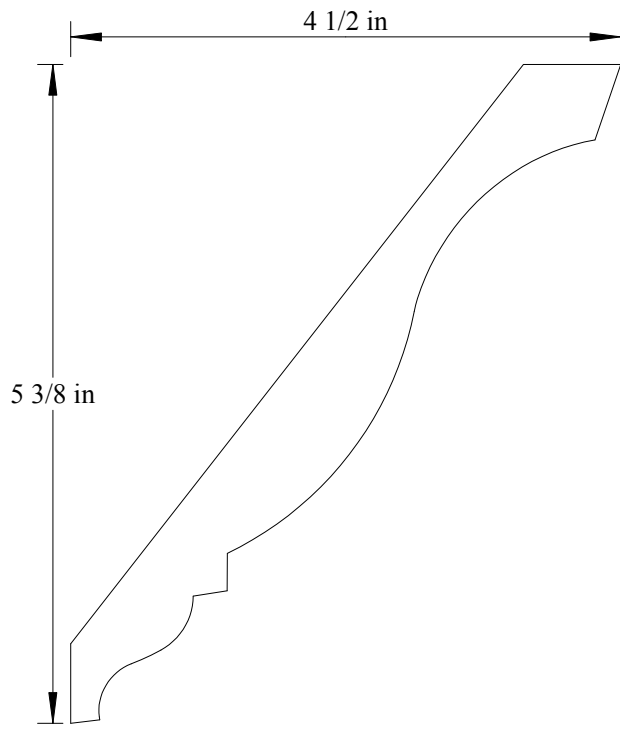
CROWN 37002 11/16" X 7"



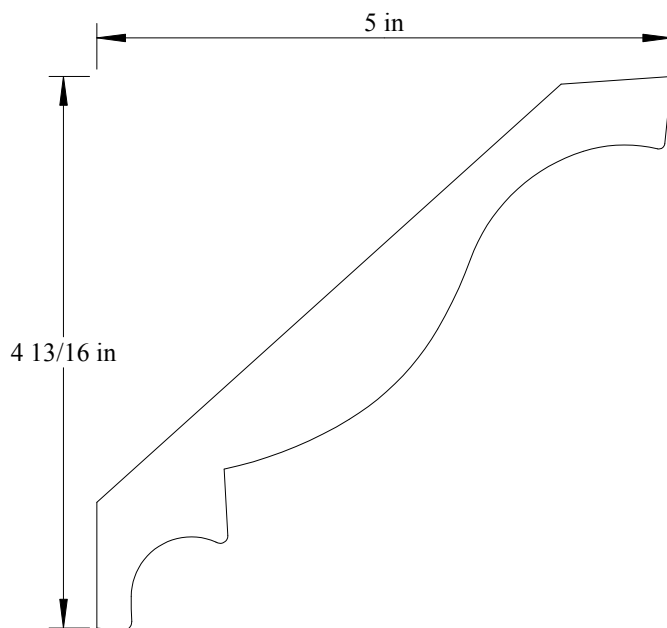
CROWN 37003 7/8" X 7"



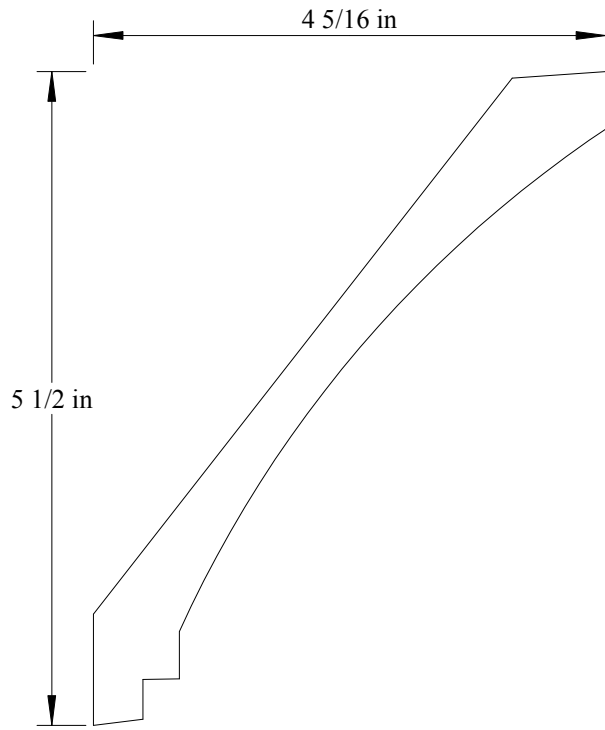
CROWN 37004 7/8" X 7"



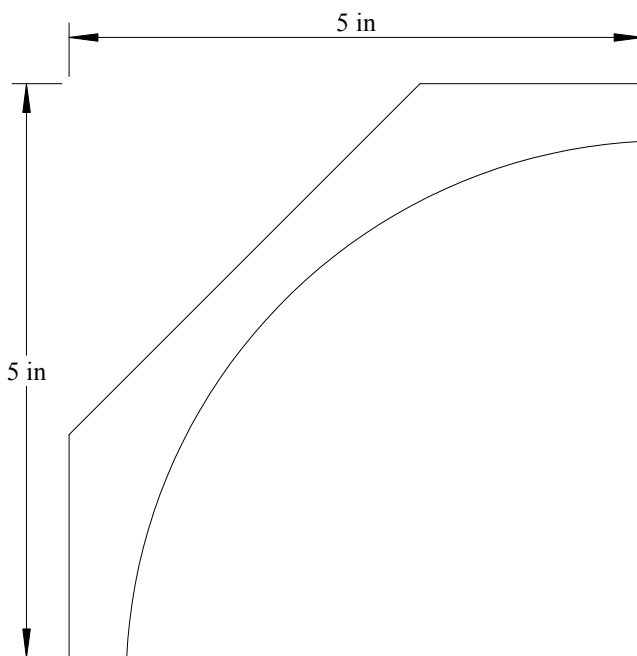
CROWN 37005 7/8" X 7"



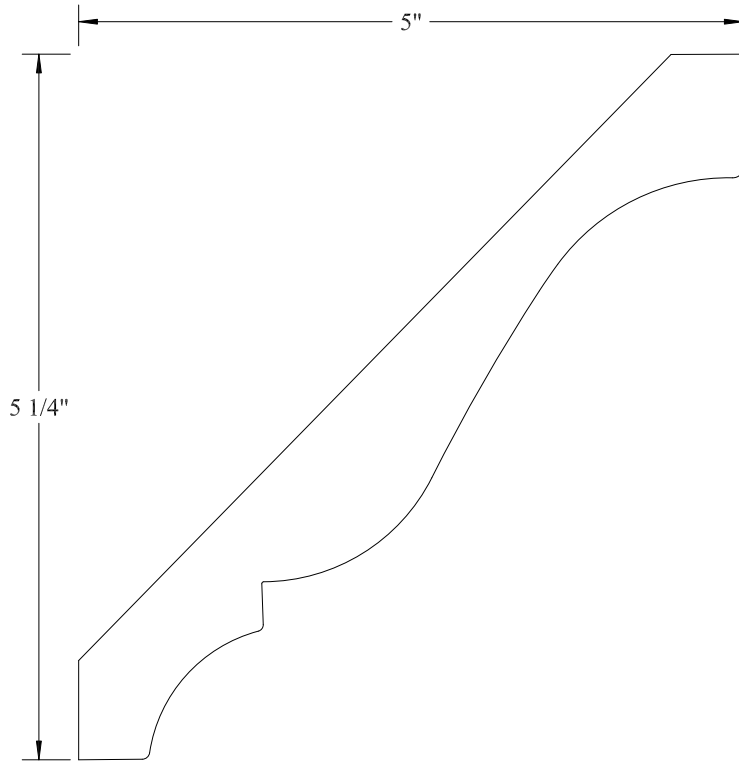
CROWN 37006 1" X 7"



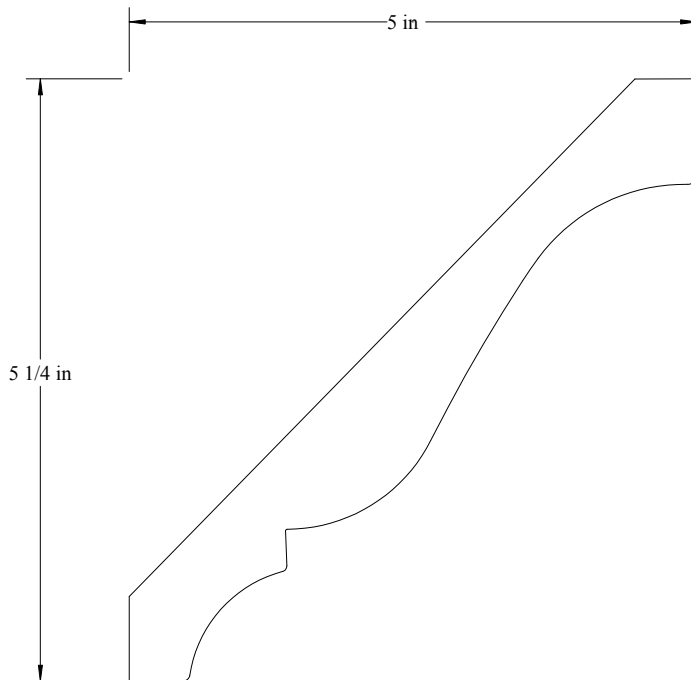
CROWN 37007 $1 \frac{5}{16}$ " X 7"



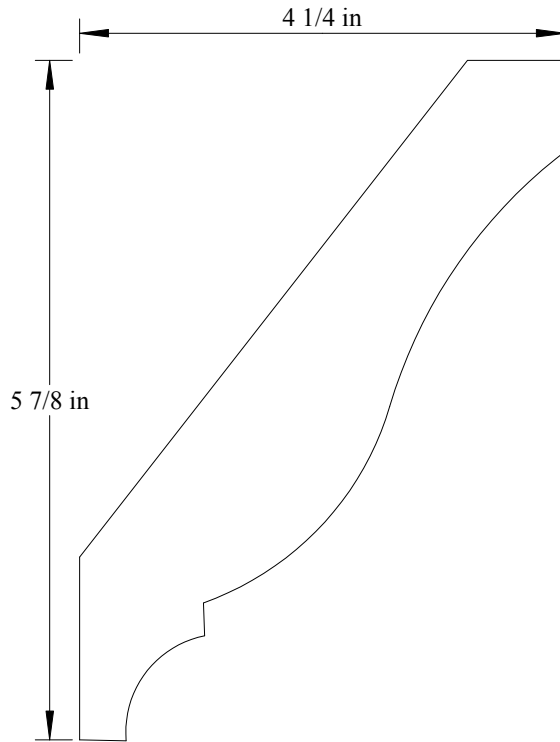
CROWN 3706 $1 \frac{3}{4}$ " X $7 \frac{1}{16}$ "



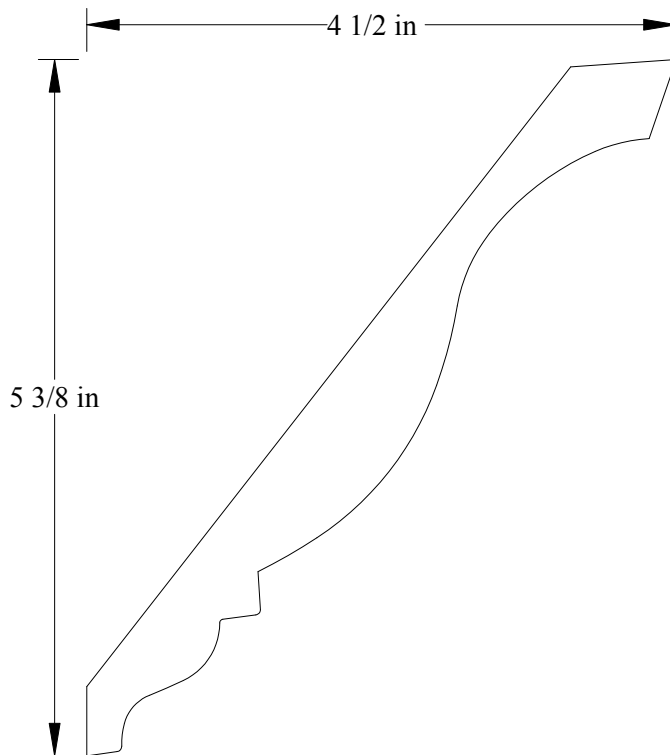
CROWN 3725 1" X 7 1/4"



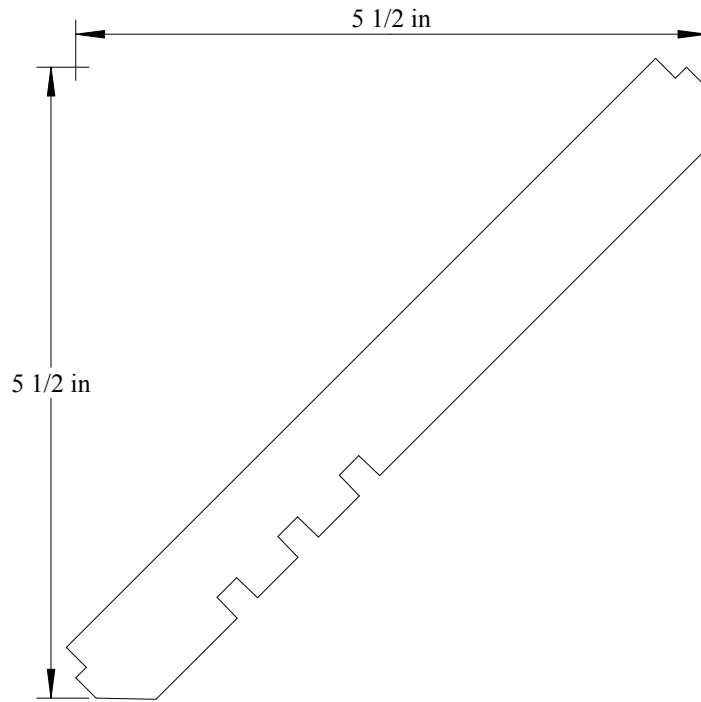
CROWN 3725 1" X 7 1/4"



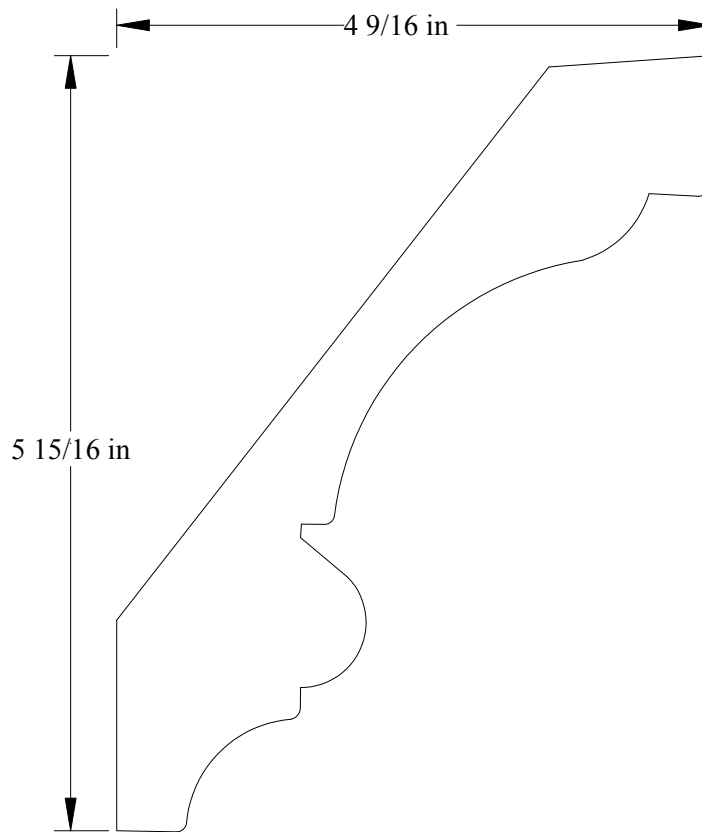
CROWN 37251 1 1/2" X 7 1/4"



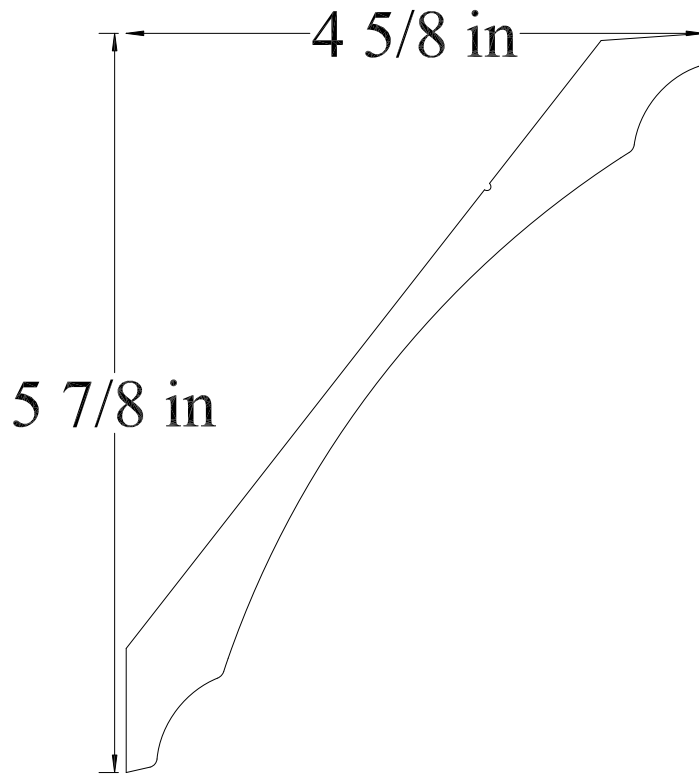
CROWN 37252 13/16" X 7"



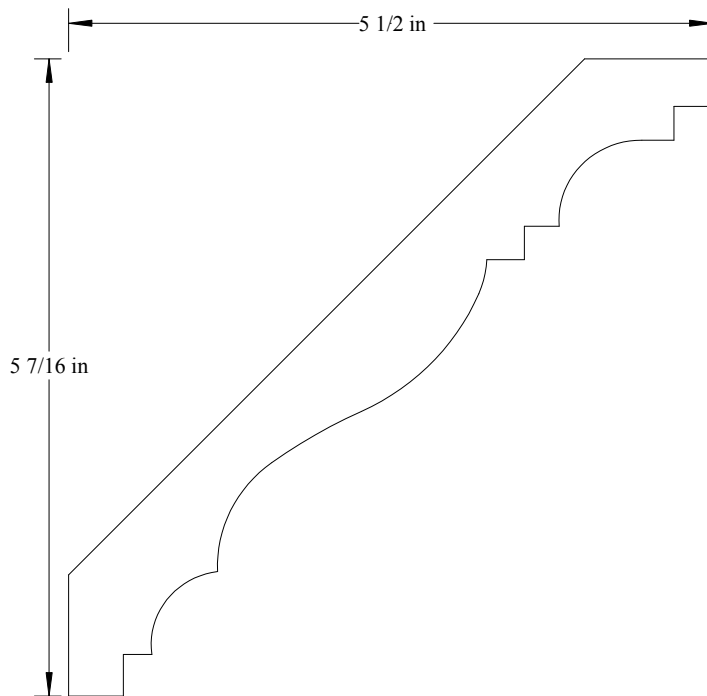
CROWN 3750 7/8" X 7 1/2"



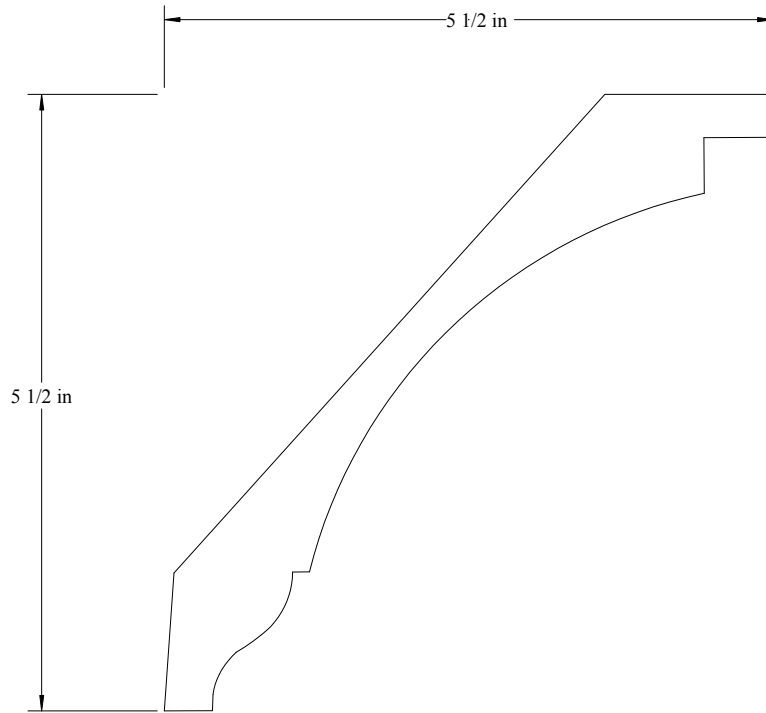
CROWN 37501 1 13/16" X 7 1/2"



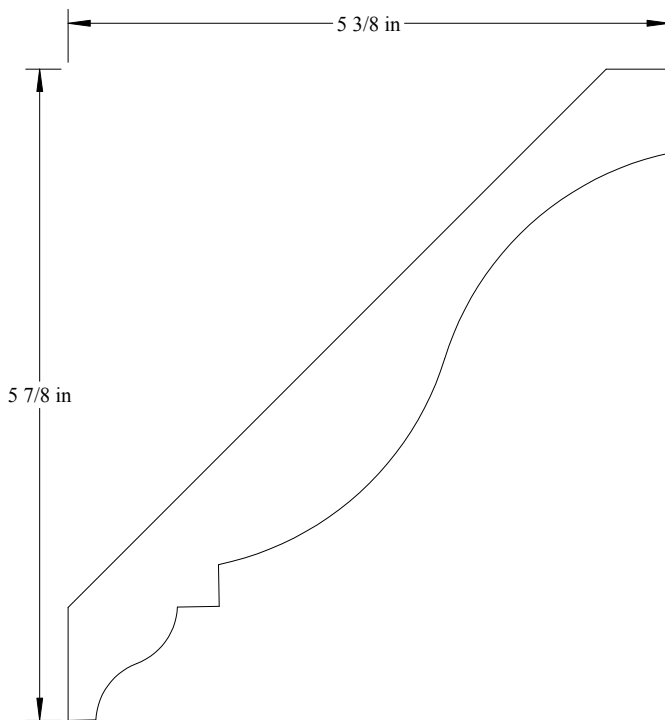
CROWN 37502 $\frac{3}{4}$ " X $7\text{-}1/2$ "



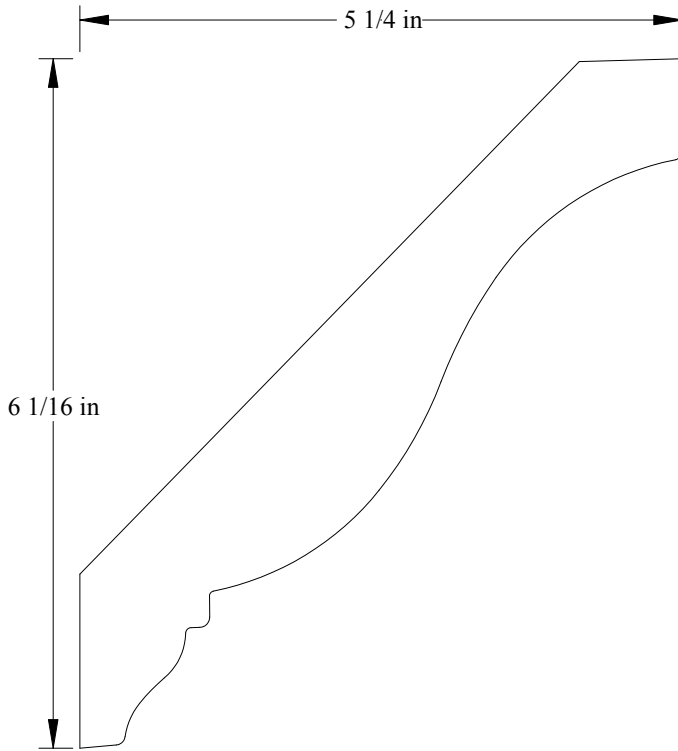
CROWN 3775 $1 \frac{1}{16}$ " X $7 \frac{3}{4}$ "



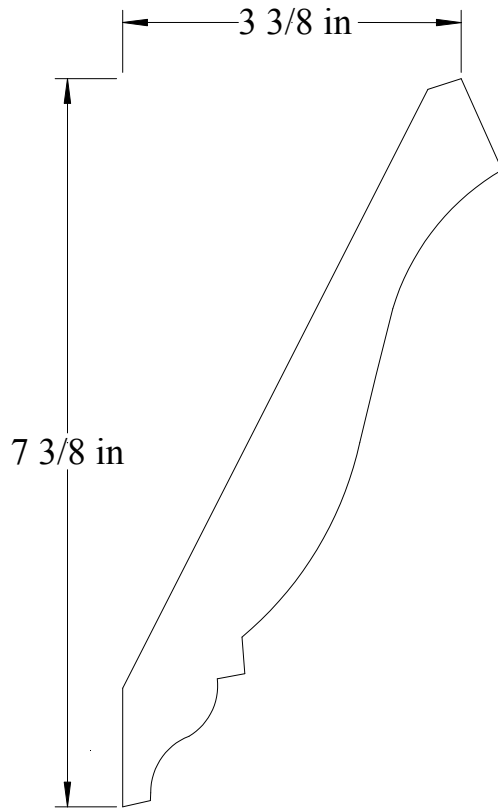
CROWN 37751 1 3/8" X 7 3/4"



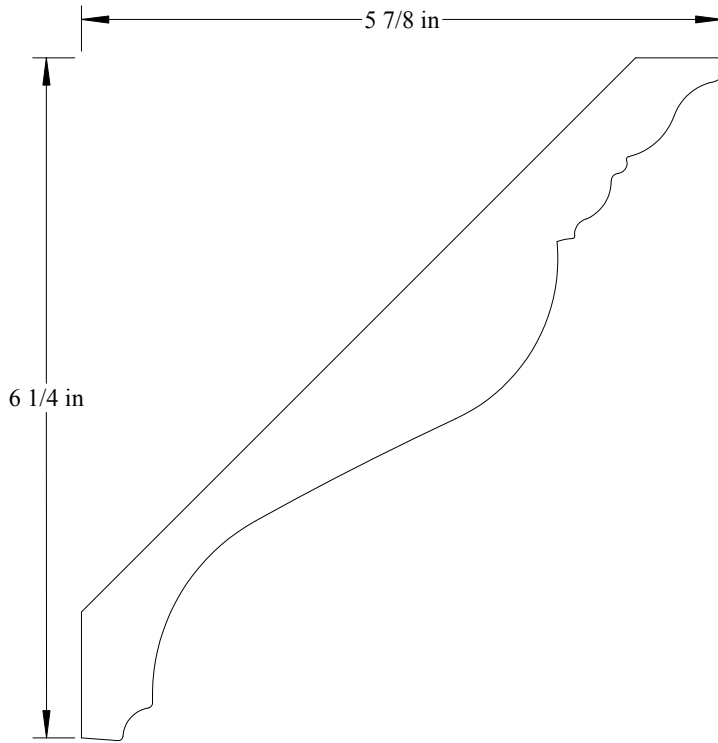
CROWN 3794 1 1/8" X 7 15/16"



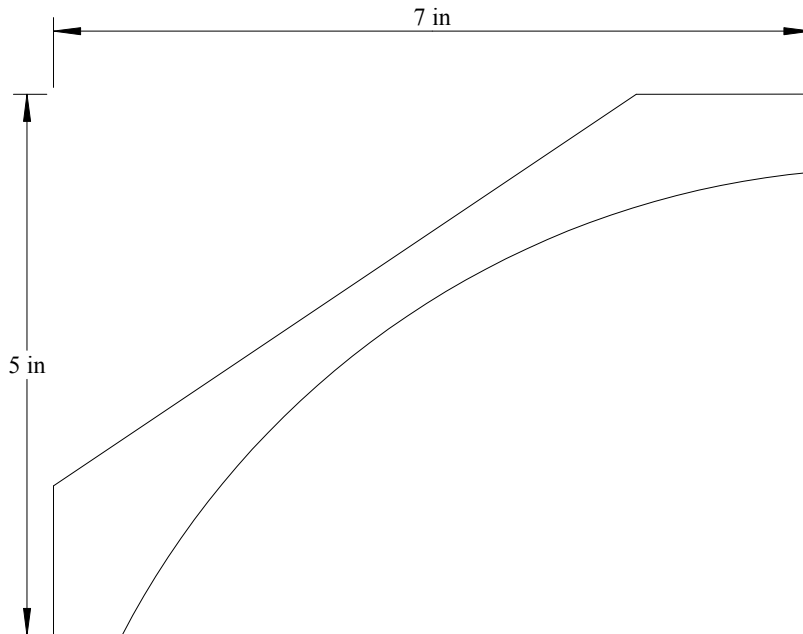
CROWN 38001 1 3/8" X 8"



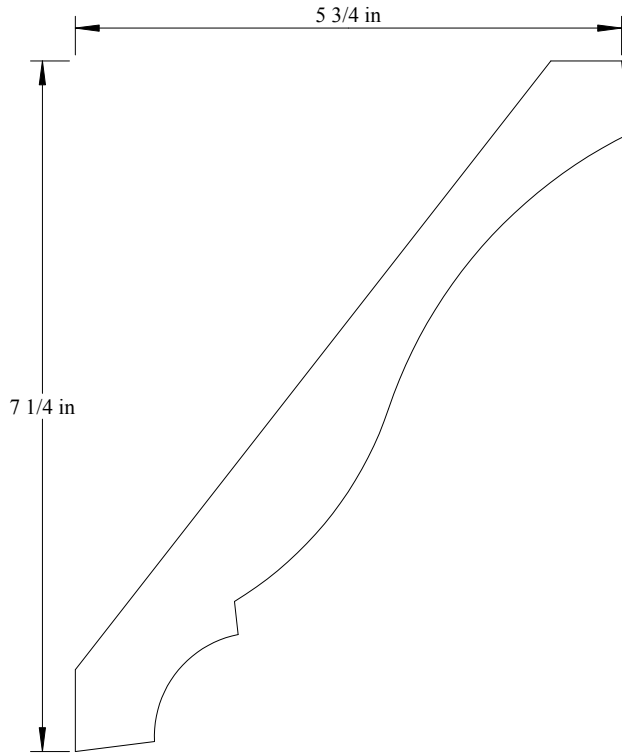
CROWN 3813 1 1/8" X 8 1/8"



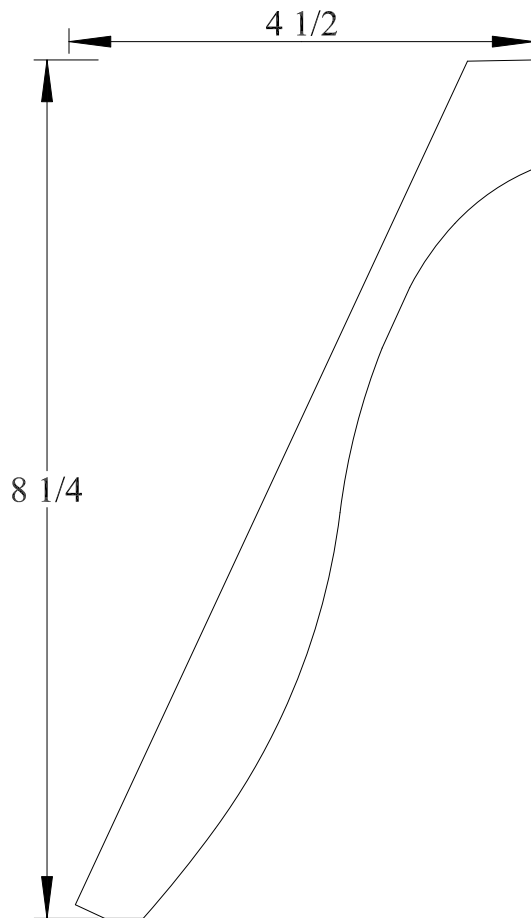
CROWN 3850 1 1/4 X 8 1/2 OLD 850-1



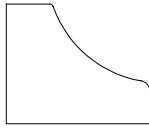
CROWN 3863 1 1/2" X 8 5/8"



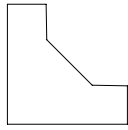
CROWN 3925 $1 \frac{1}{8}$ " X $9 \frac{1}{4}$ " OLD CRN-1



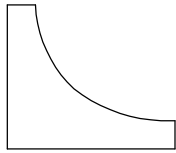
CROWN 39251 1 " X $9 \frac{3}{16}$ "



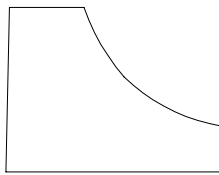
COVE 30635 5/8" X 3/4"



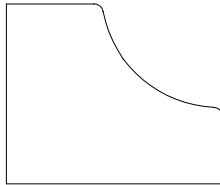
COVE 30636 5/8" X 5/8"



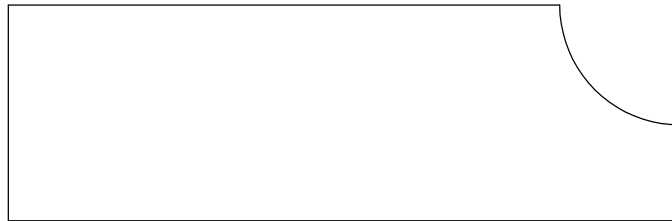
COVE 30881 3/4" X 7/8"



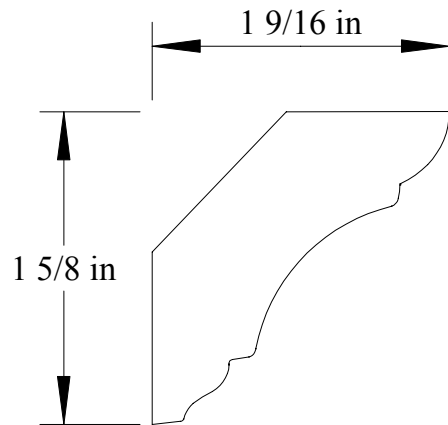
COVE 31135 27/32" X 1 1/8"



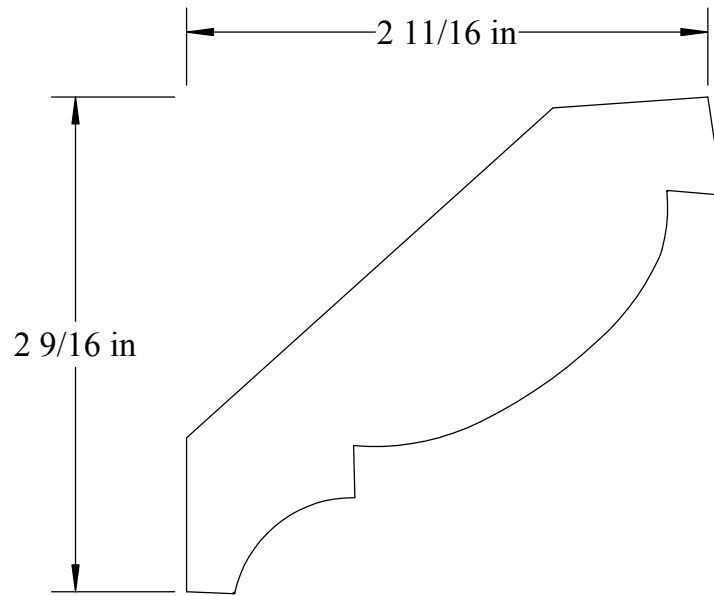
COVE 31136 15/16" X 1 1/8"



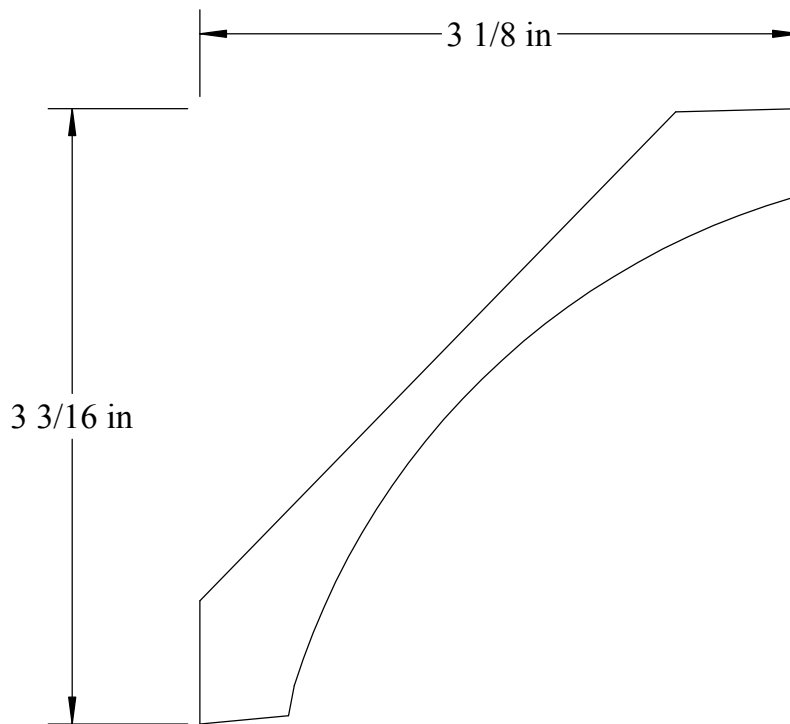
COVE 33501 1 1/8" X 3 1/2"



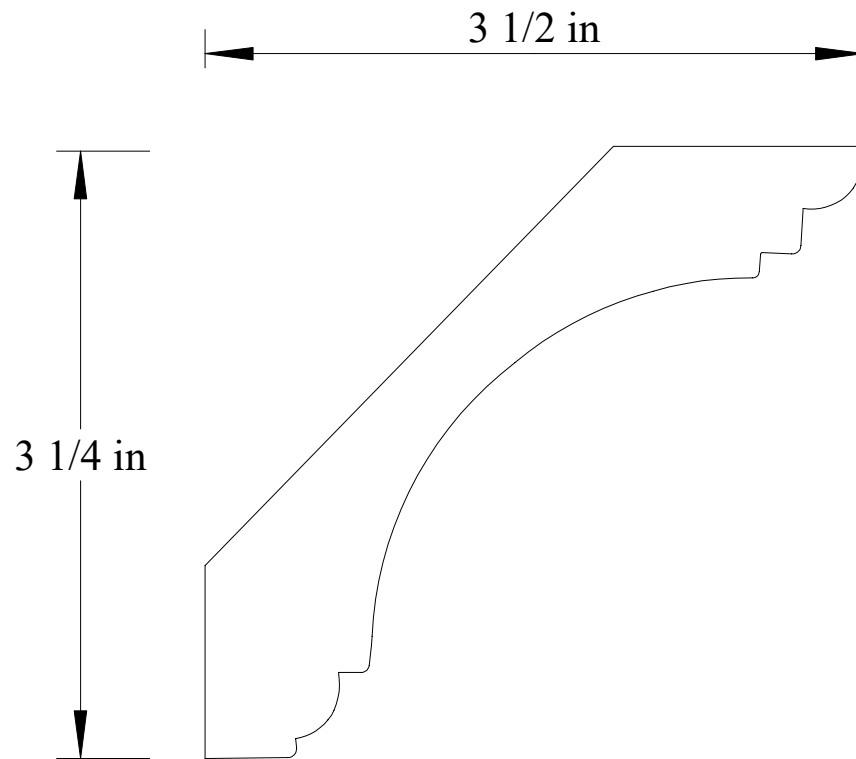
CROWN 322513 3/4" X 2 1/4"



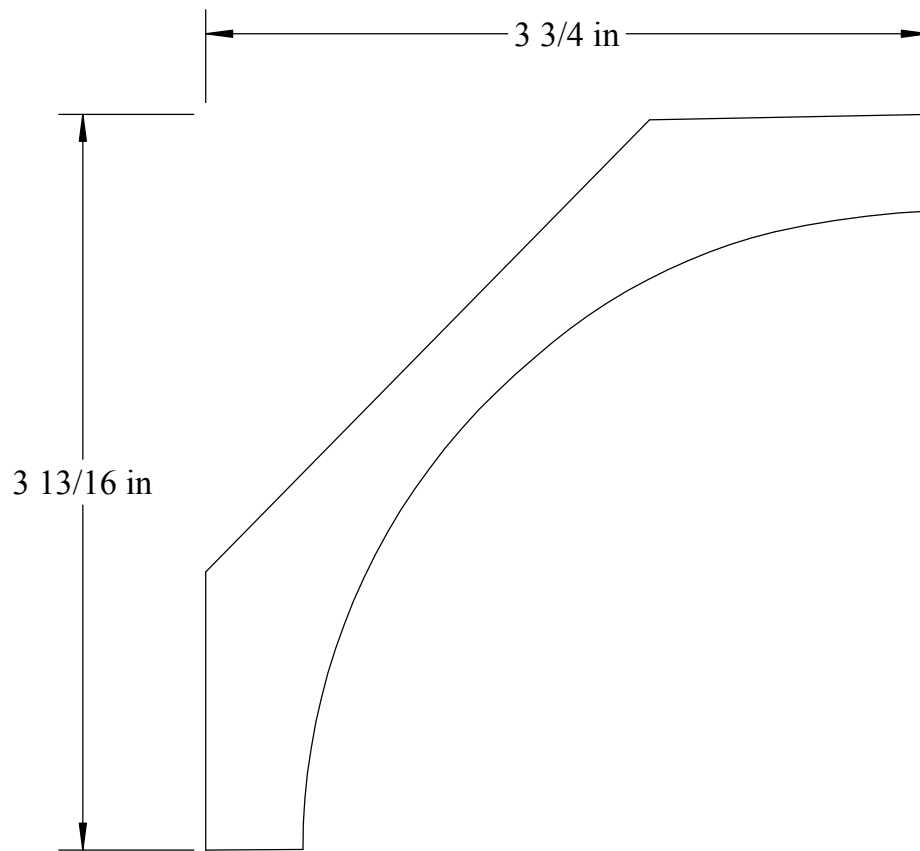
CROWN 33756 $1 \frac{1}{16}$ " X $3 \frac{3}{4}$ "



CROWN 345011 $\frac{3}{4}$ " X $4 \frac{1}{2}$ "



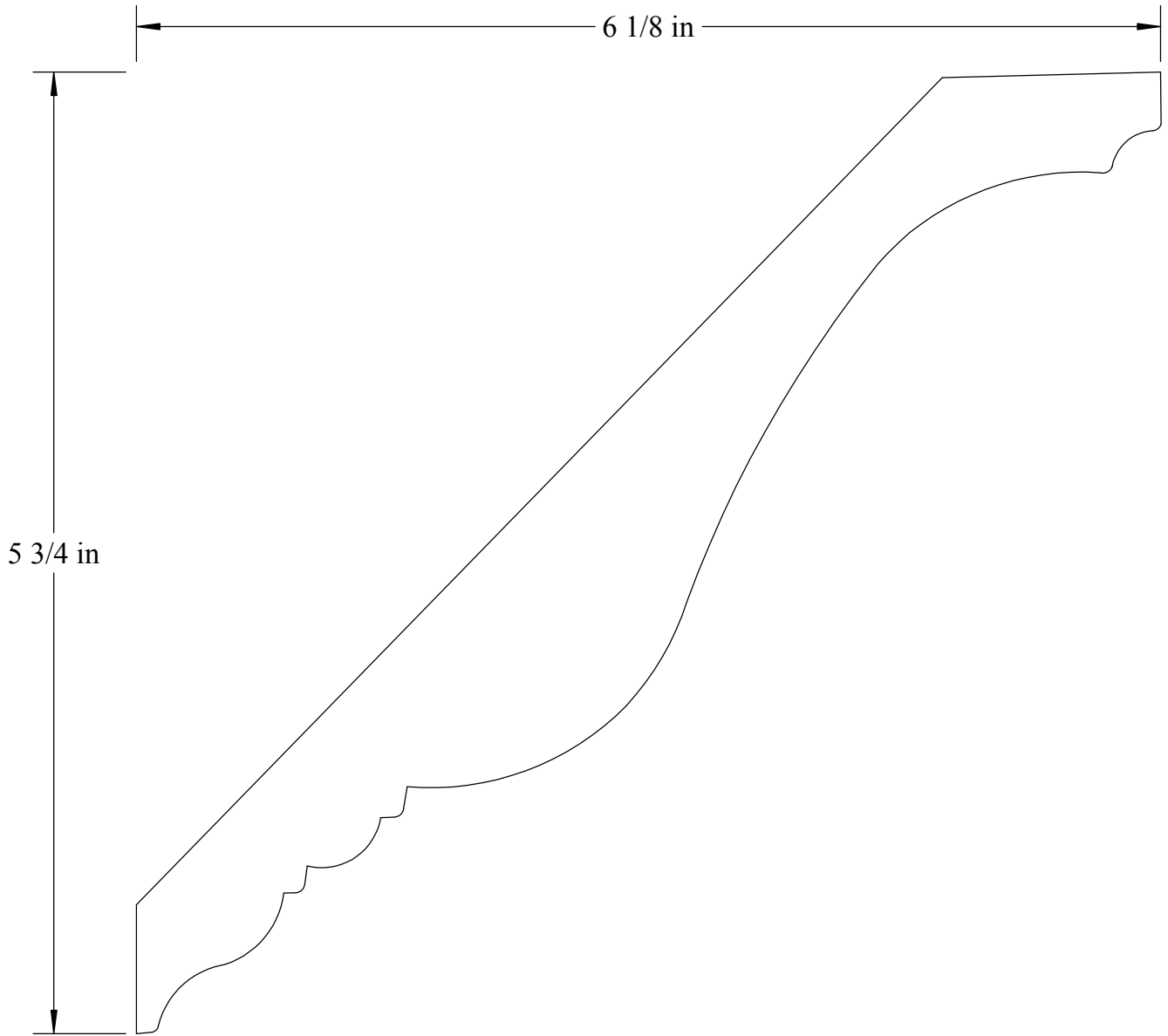
CROWN 34756 1 1/16" x 4 11/16"



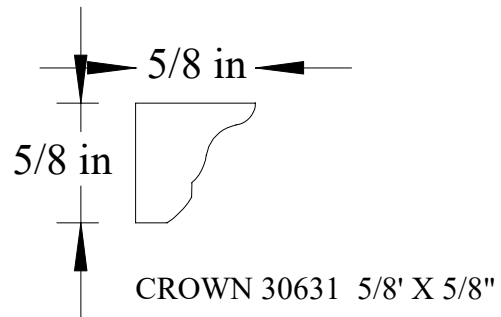
CROWN 35386 $1 \frac{3}{8}$ " X $5 \frac{3}{8}$ "

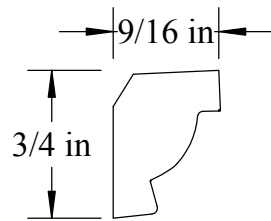


CROWN 3825 $1 \frac{3}{16}$ " X $8 \frac{1}{4}$ "



CROWN 3838 1 1/4" X 8 3/8"

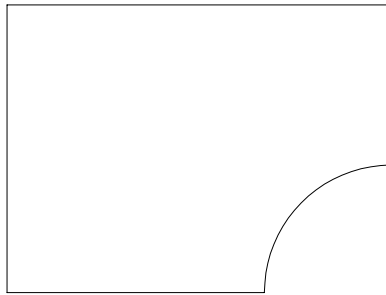




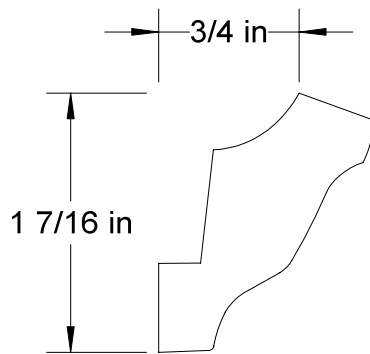
CROWN 3094 1/2" X 15/16"



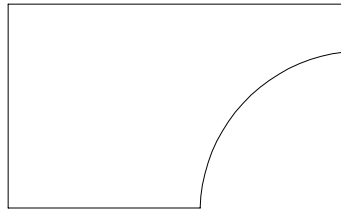
CROWN 3138 1 3/8" X 1 7/16"



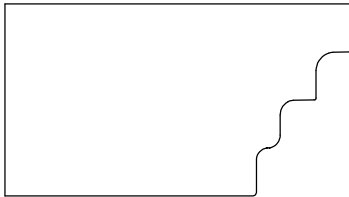
CROWN 315010 1 1/2" X 2"



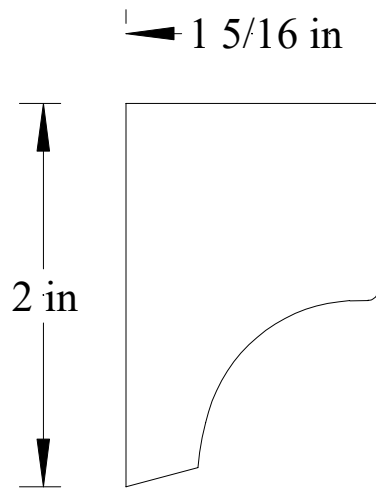
CROWN 31692 11/16" X 1 11/16"



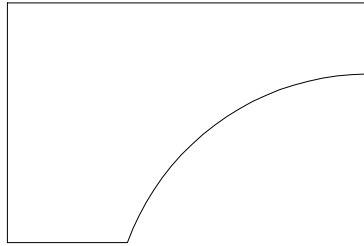
CROWN 317519 1 1/16" x 1 3/4"



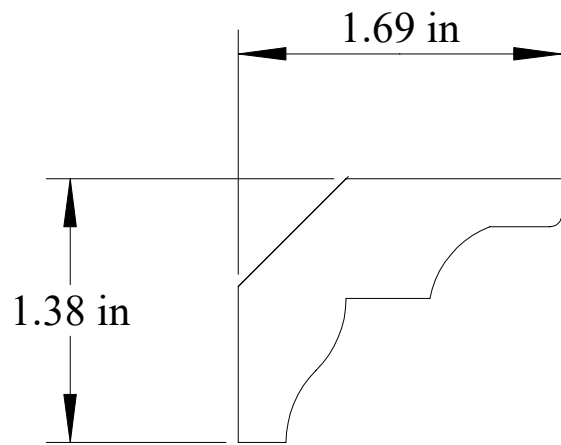
CROWN 31823 1" X 1 13/16"



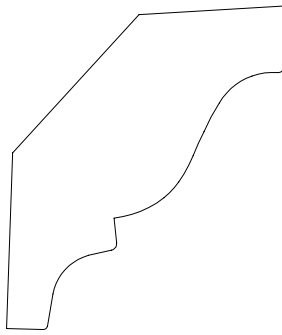
CROWN 32004 1 5/16" X 2"



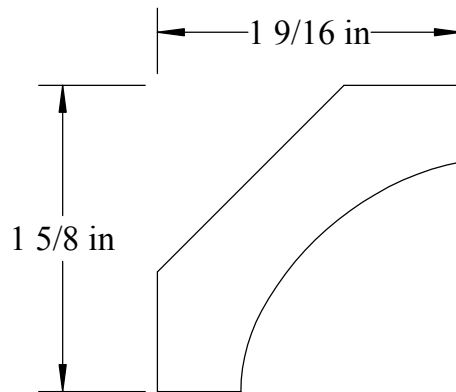
CROWN 32005 1 1/4" X 1 7/8"



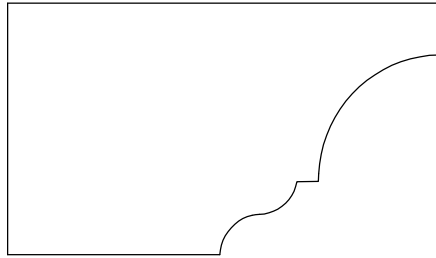
CROWN 3219 15/16" x 2 1/8"



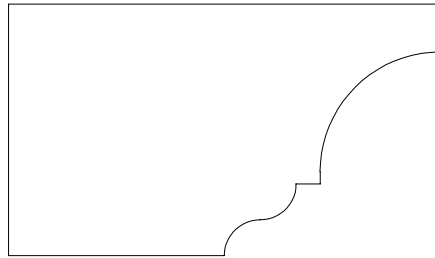
CROWN 3222 3/4" X 2 7/32"



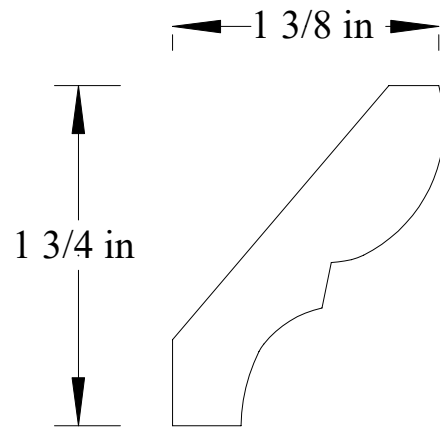
CROWN 322514 $\frac{3}{4}$ " X $2 \frac{1}{4}$ "



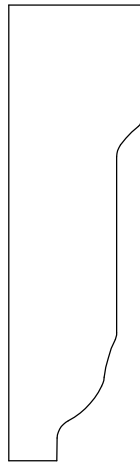
CROWN 322515 1 5/16" X 2 1/4"



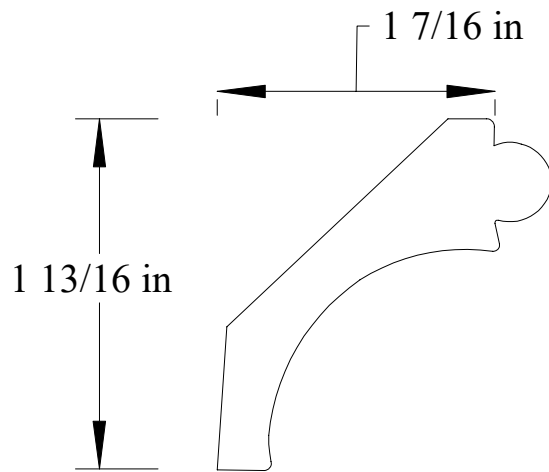
CROWN 322516 1-5/16" x 2-1/4"



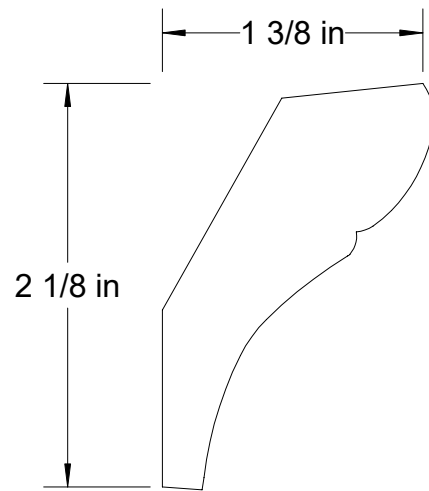
CROWN 322517 9/16" X 2 1/4"



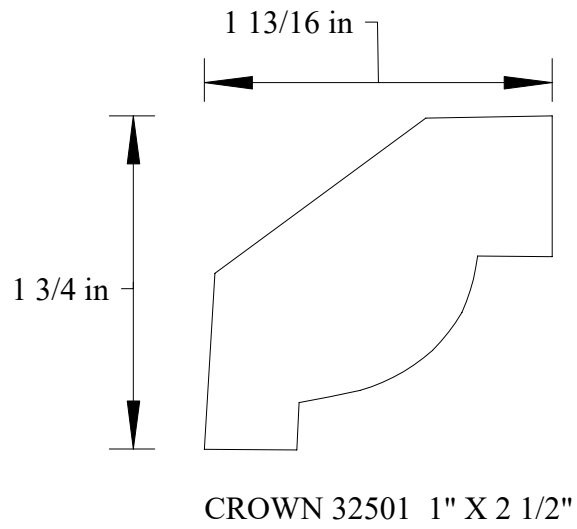
CROWN 323805 11/16" X 2 3/8"

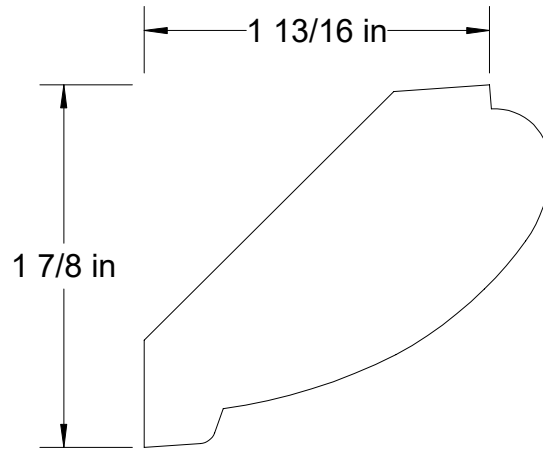


CROWN 32387 $1 \frac{1}{16}$ " X $2 \frac{3}{8}$ "

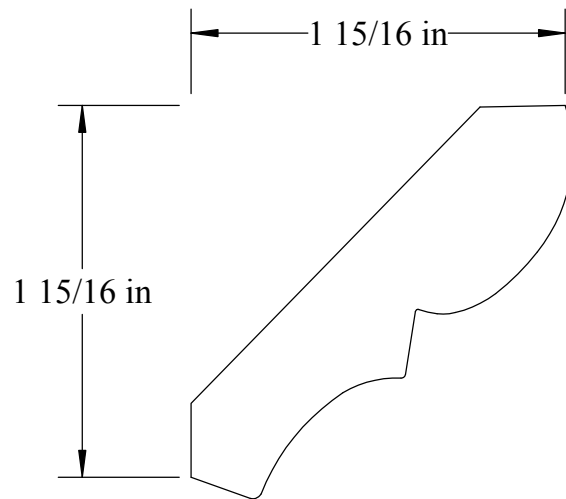


CROWN 3250 $1 \frac{3}{16}$ " X $2 \frac{1}{2}$ "

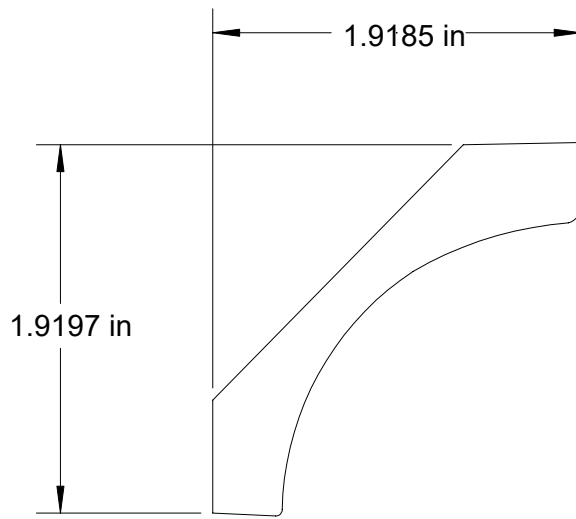




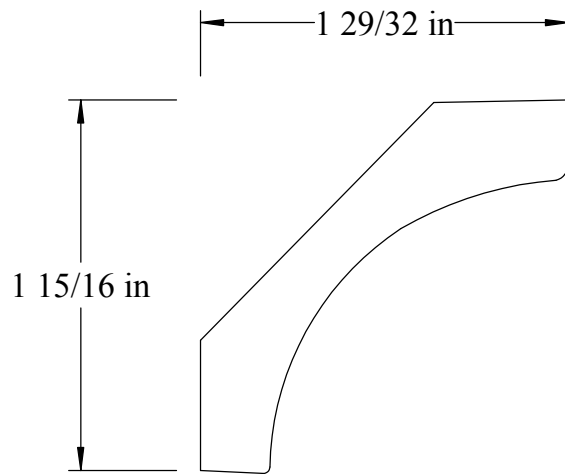
CROWN 32633 $1 \frac{1}{16}$ " X $2 \frac{5}{8}$ "



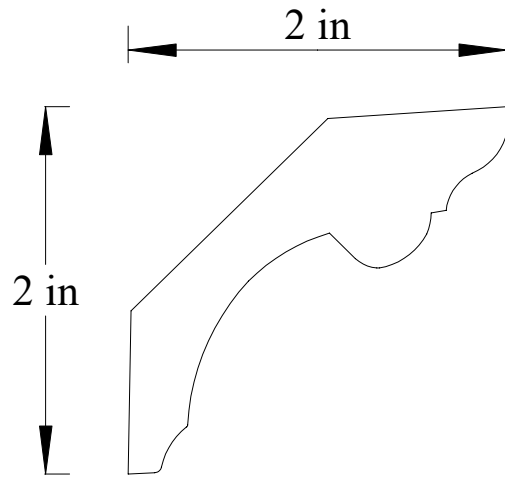
CROWN 327508 $\frac{3}{4}$ " X $2 \frac{3}{4}$ "



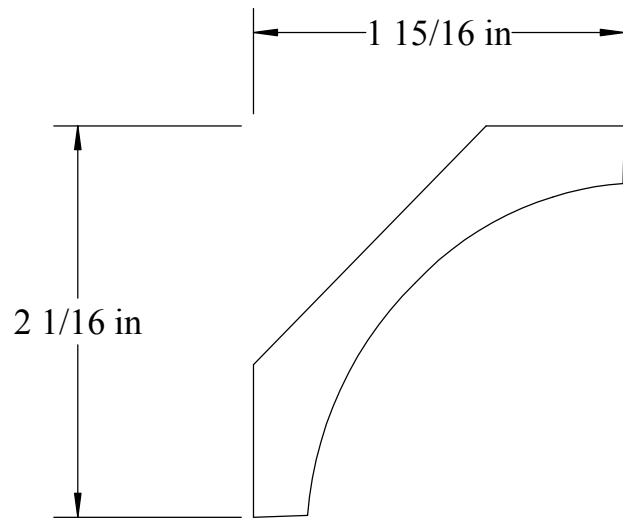
CROWN 32759 3/4" x 2 3/4"



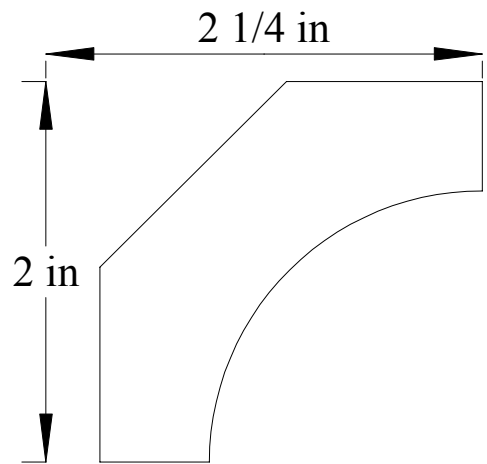
CROWN 327510 $\frac{3}{4}$ " X $2 \frac{3}{4}$ "



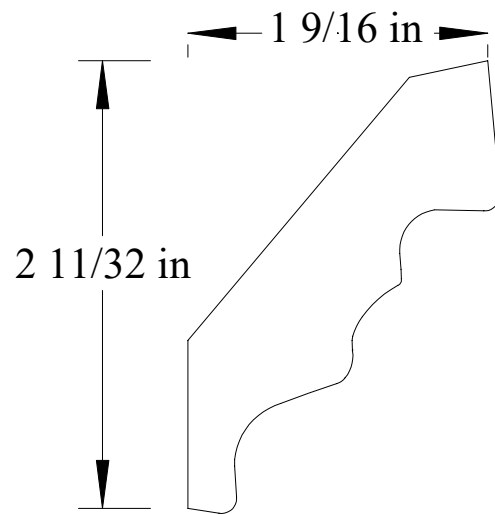
CROWN 327511 13/16" X 2 3/4"



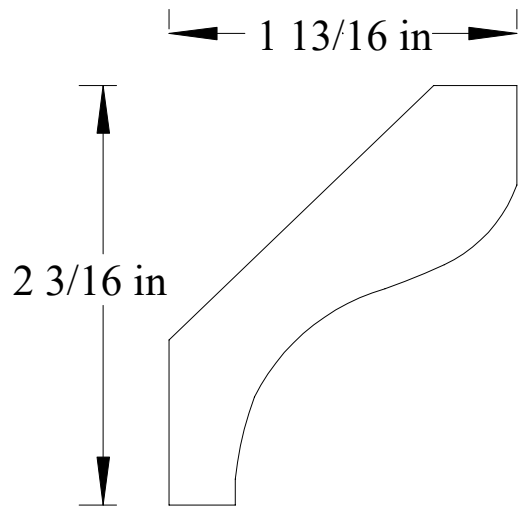
CROWN 3281 $\frac{3}{4}$ " X $2 \frac{13}{16}$ "



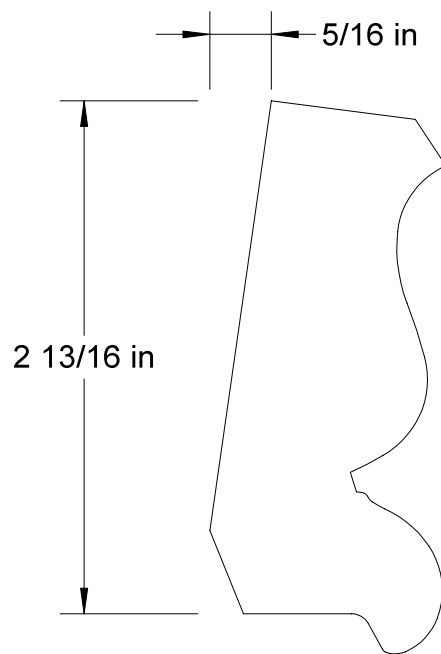
CROWN 32812 1 1/8" X 2 13/16"



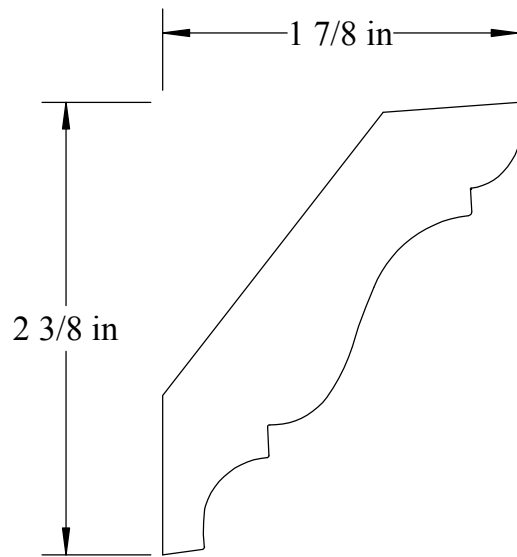
CROWN 32813 $2 \frac{5}{32}$ " X $2 \frac{25}{32}$ "



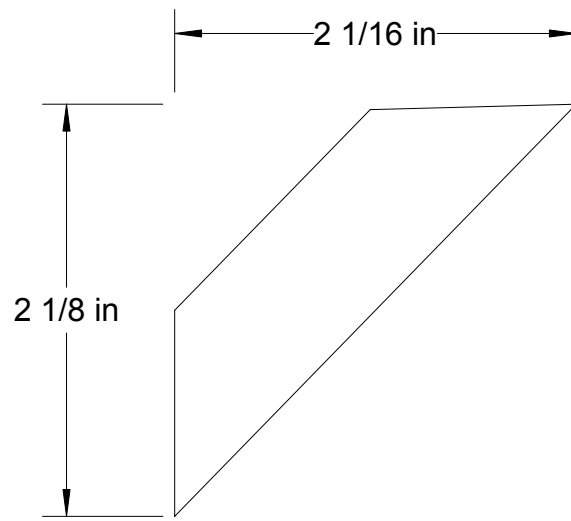
CROWN 32883 $1 \frac{13}{16}$ X $2 \frac{3}{16}$ "



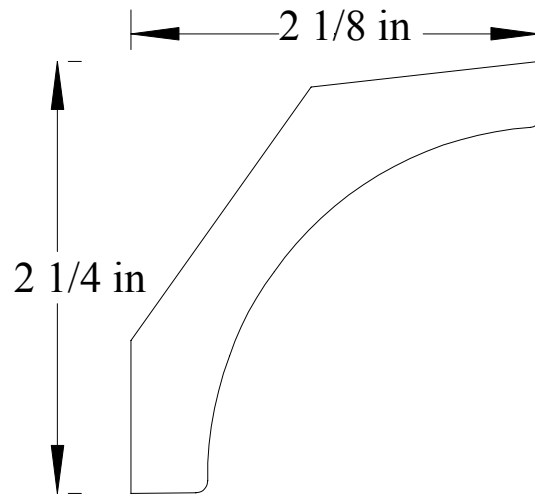
CROWN 3294 1 1/4" X 2 13/16"



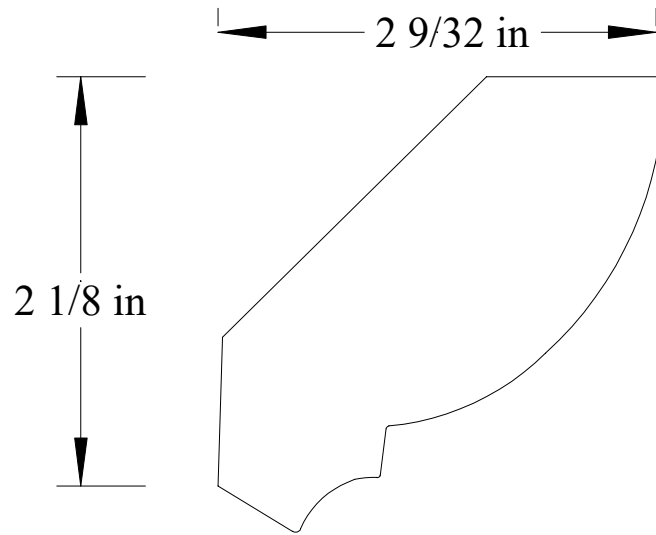
CROWN 33004 $1 \frac{1}{16}$ " X 3"



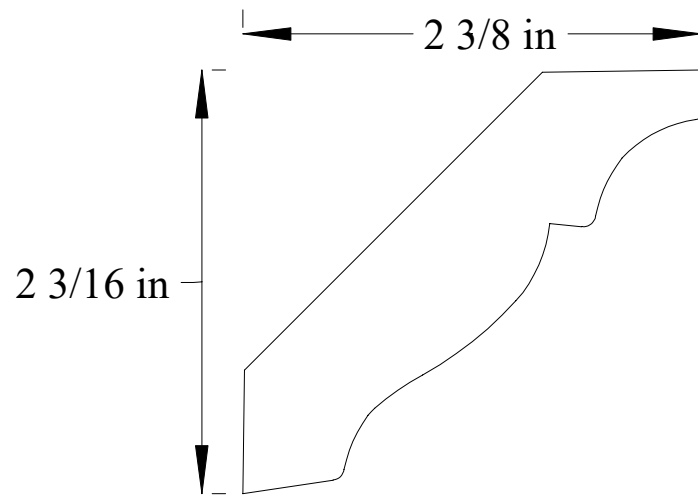
CROWN 33005 $\frac{3}{4}$ " X 3"



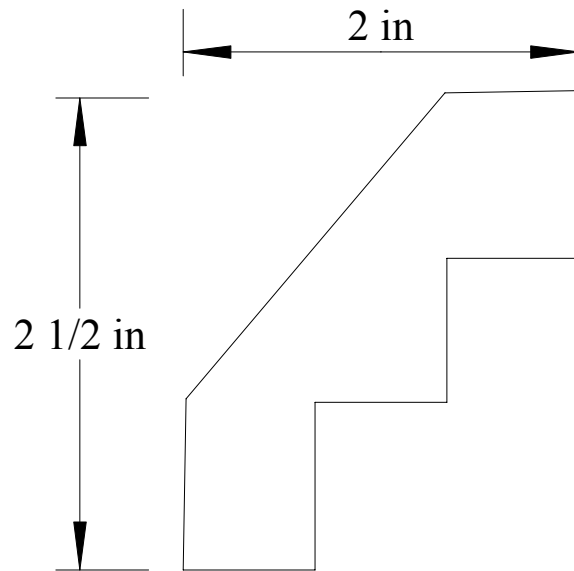
CROWN 33133 $1 \frac{1}{16}$ " X $3 \frac{1}{16}$ "



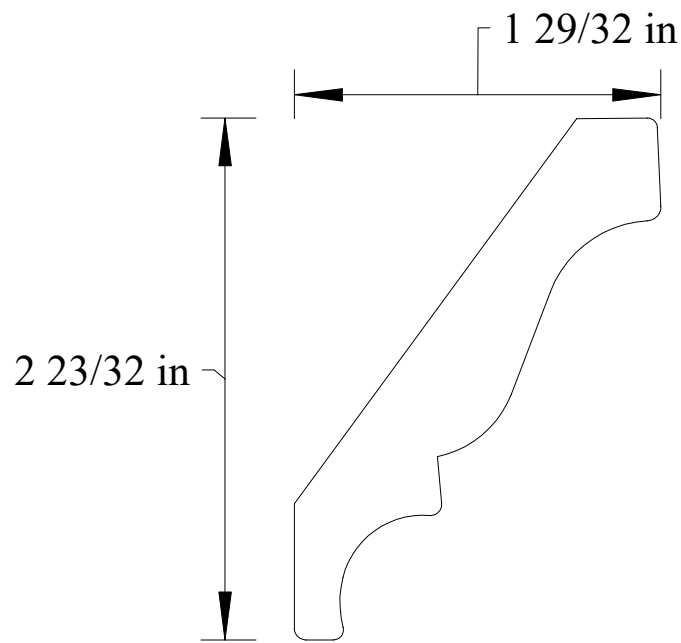
CROWN 33134 $1 \frac{1}{4}$ " X $3 \frac{5}{32}$ "



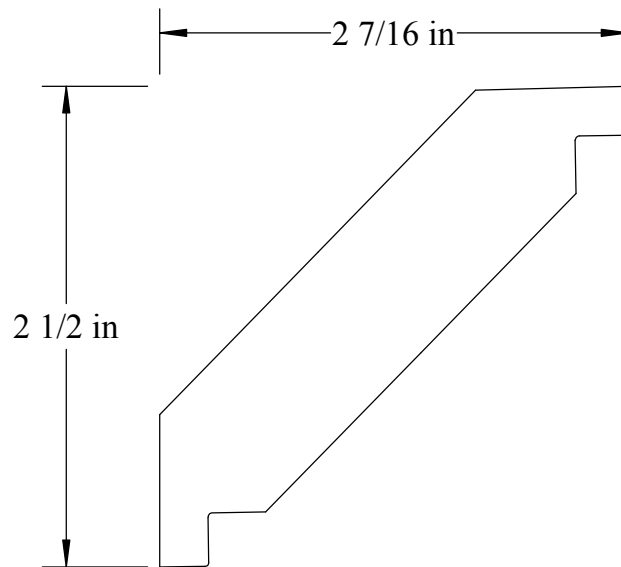
CROWN 332520 $\frac{3}{4}$ " X $3 \frac{1}{4}$ "



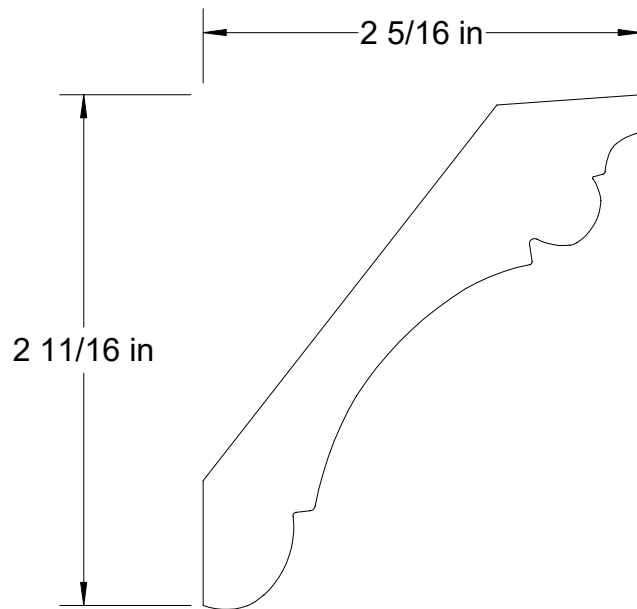
CROWN 332521 1 1/16" X 3 1/4"



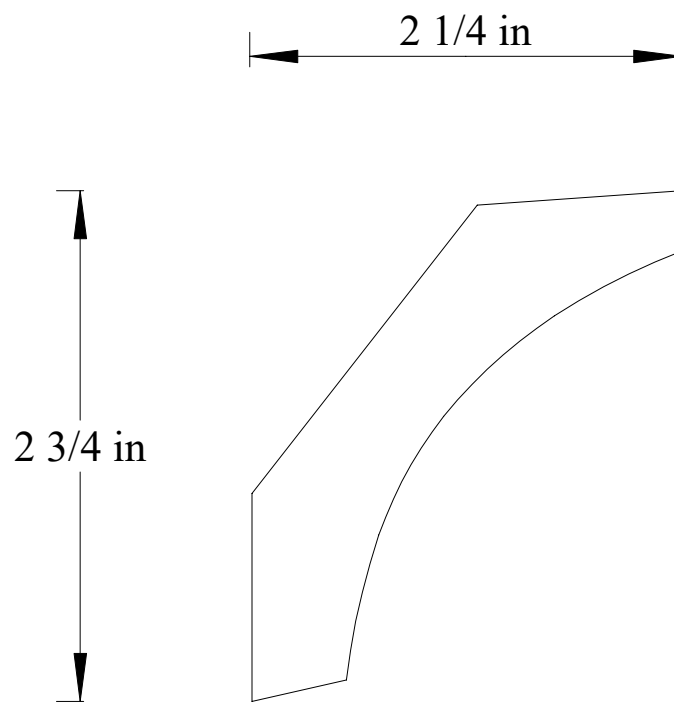
CROWN 332522 5/8" X 3 9/32"



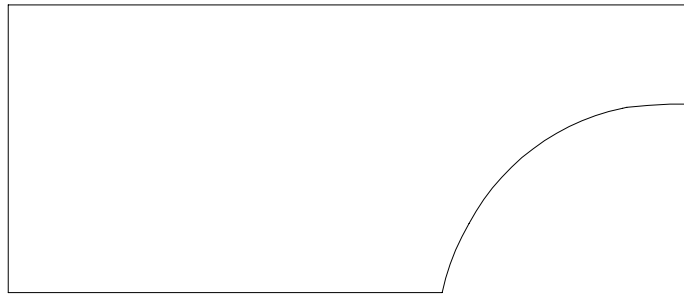
CROWN 33502 3/4" X 3 1/2"



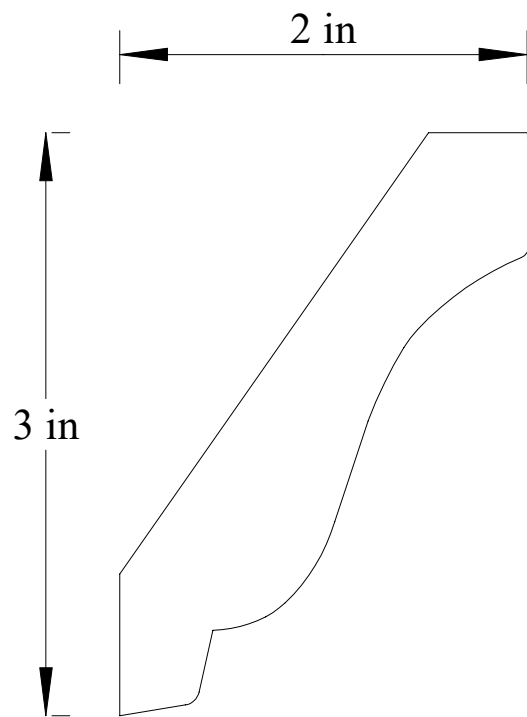
CROWN 33503 $1 \frac{3}{16}$ " X $3 \frac{1}{2}$ "



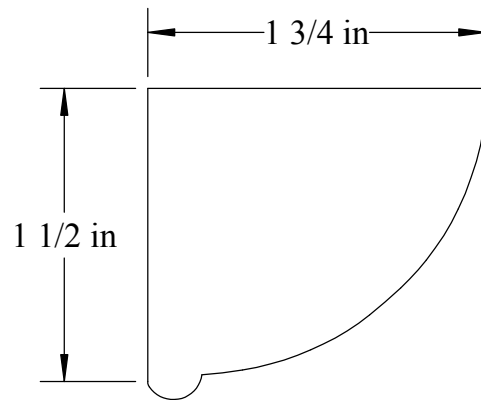
CROWN #33504 1" x 3 1/2"



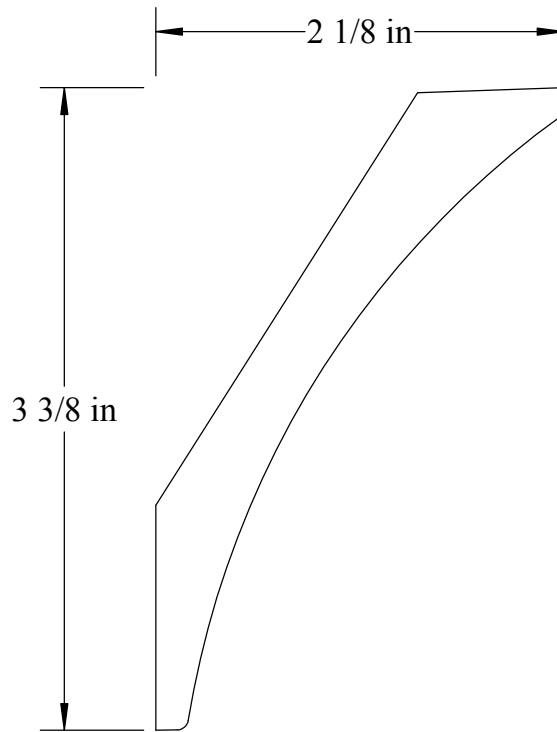
CROWN 3356 1 1/2" X 3 9/16"



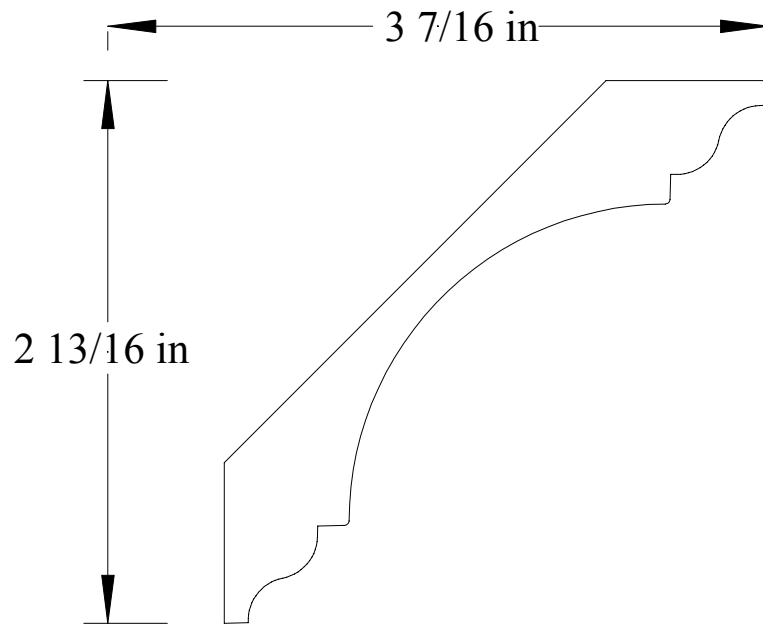
CROWN 33757 13/16" x 3 11/16"



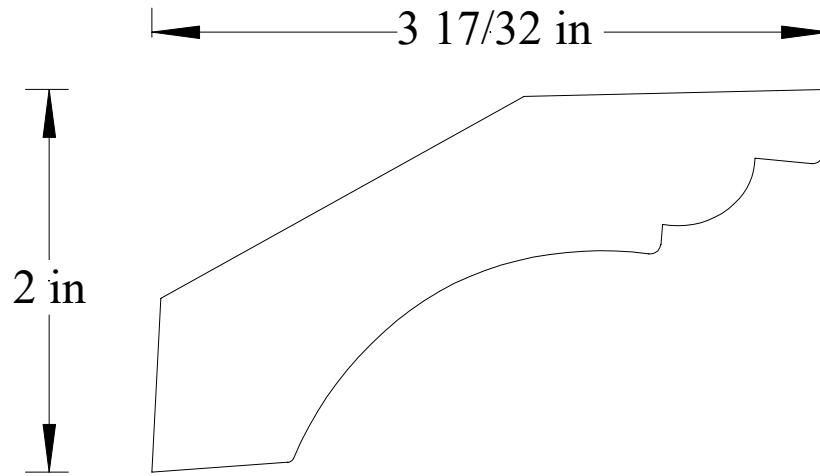
CROWN 33883 1 5/8" X 1 3/4"



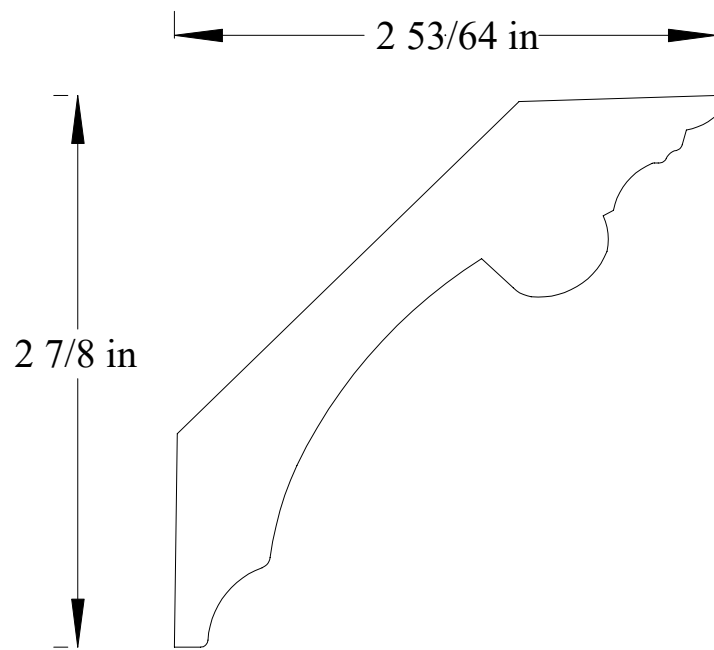
CROWN 34009 $\frac{3}{4}$ " X 4"



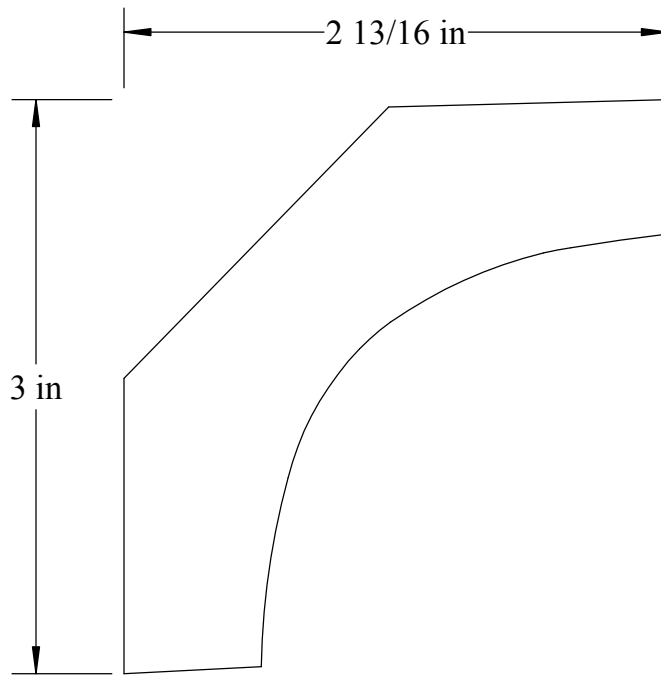
CROWN 340011 $1 \frac{1}{16}$ " X 4"



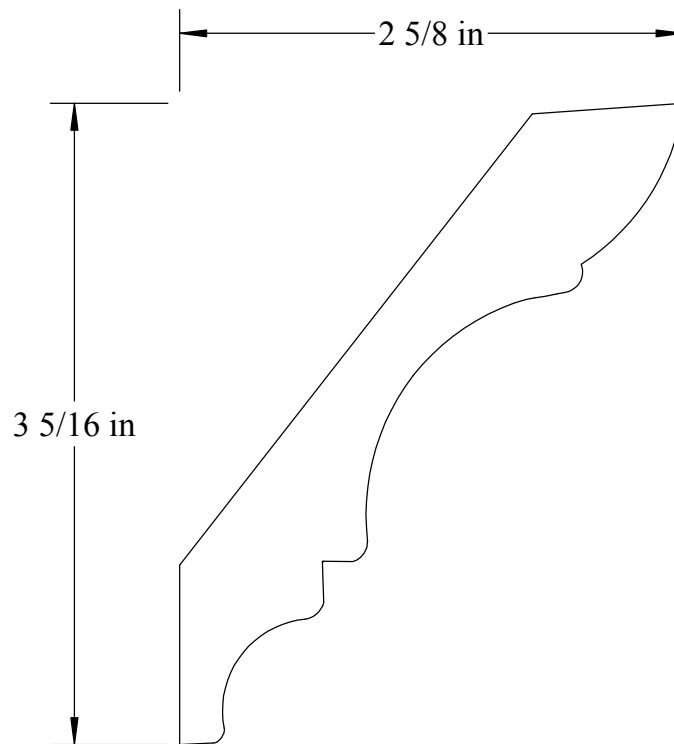
CROWN 340012 $1 \frac{1}{16}$ " X $4 \frac{1}{16}$ "



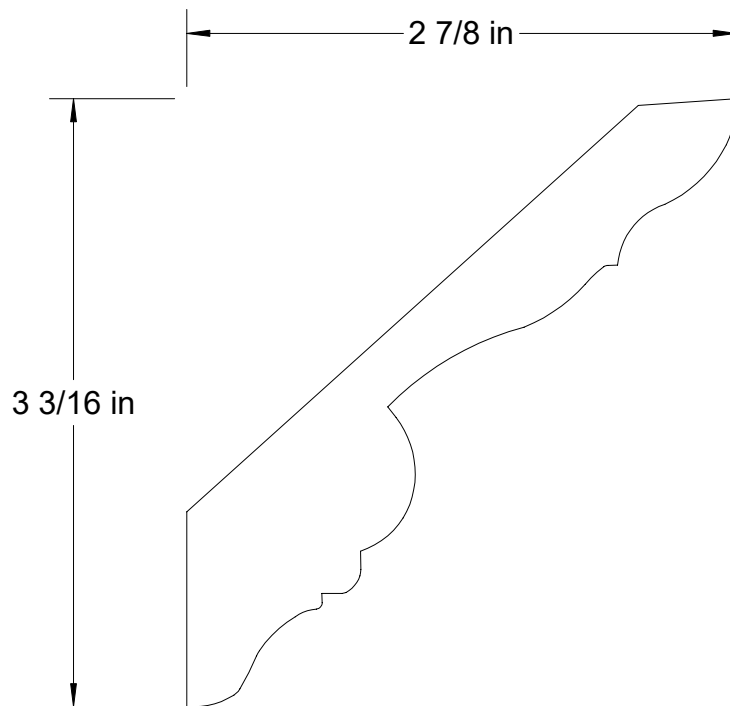
CROWN 340013 $2 \frac{9}{32}$ " X $4 \frac{1}{32}$ "



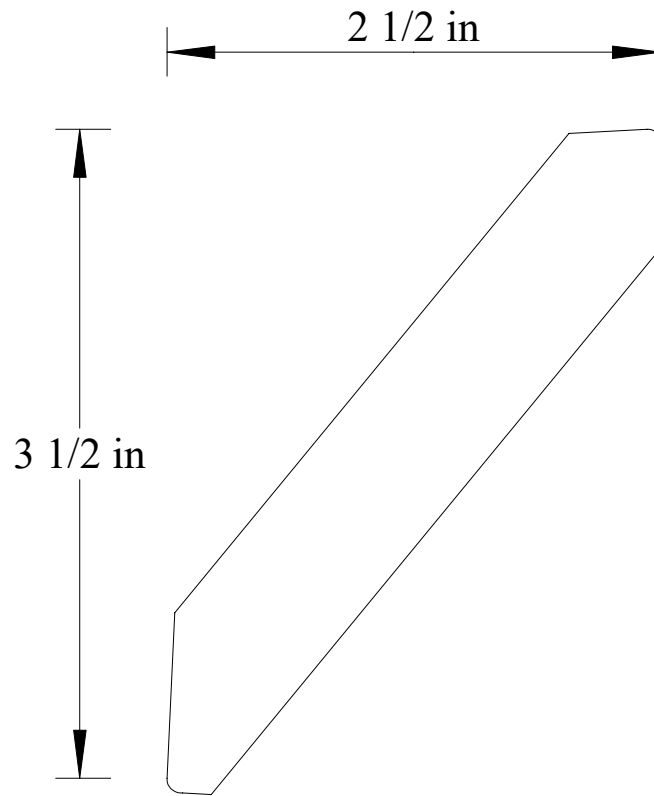
CROWN 3406 1 9/16" X 4 1/8"



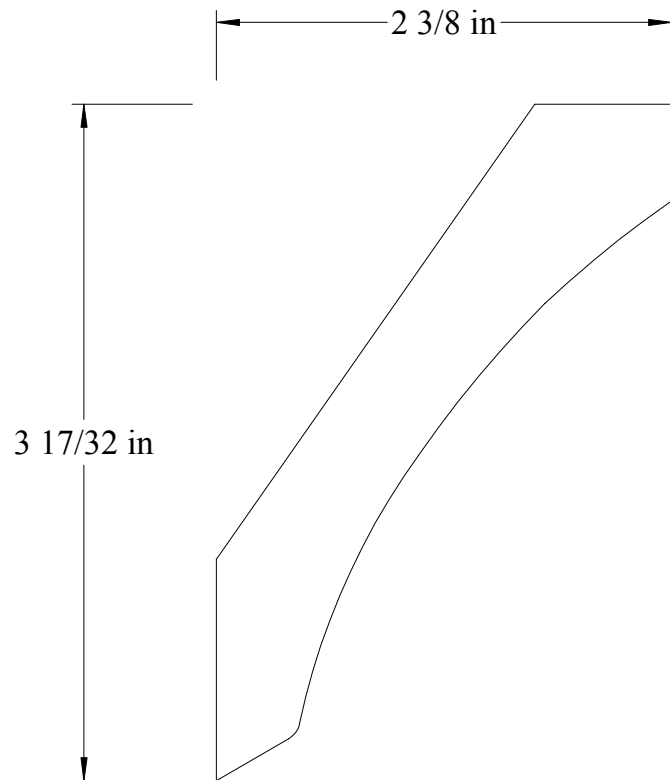
CROWN 342515 $\frac{3}{4}$ " X $4 \frac{1}{4}$ "



CROWN 342516 $\frac{7}{8}$ " X $4 \frac{1}{4}$ "

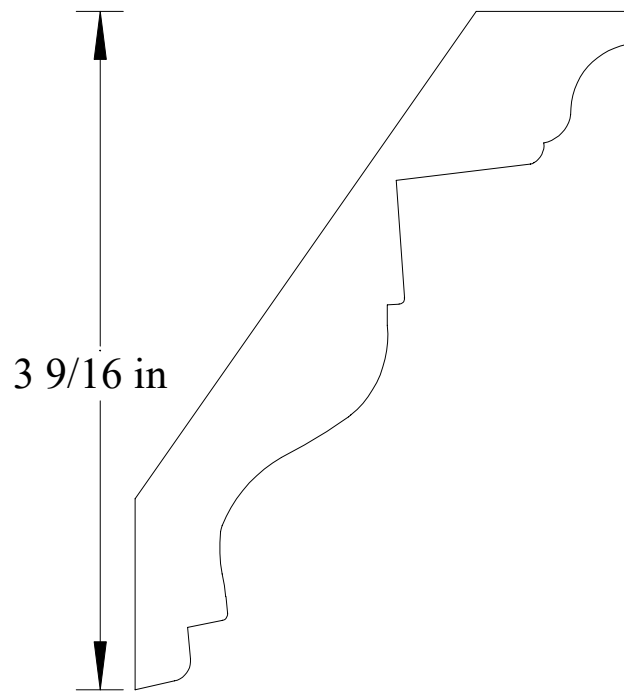


CROWN 342517 3/4" x 4 1/4"

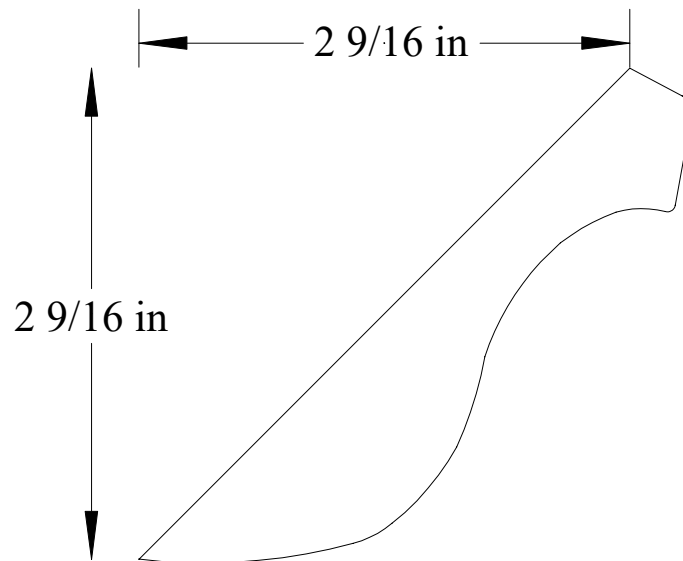


CROWN 342519 $\frac{7}{8}$ " X $4 \frac{1}{4}$ "

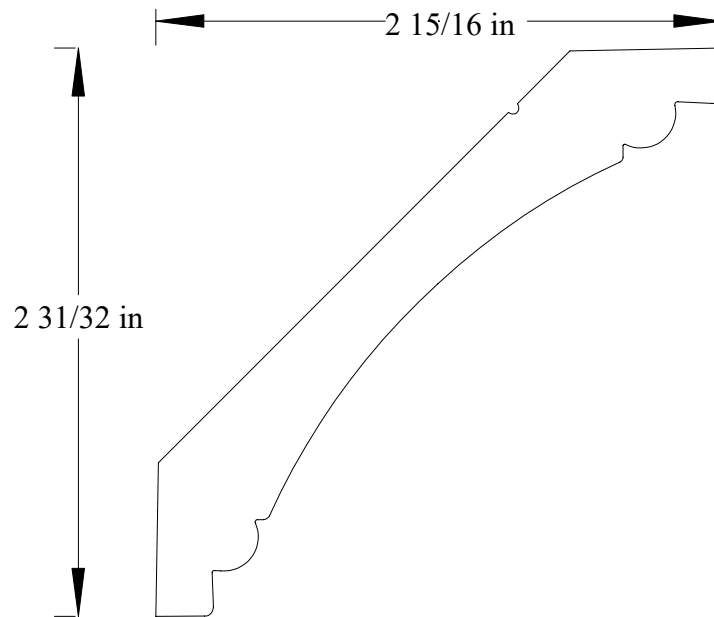
2 9/16 in



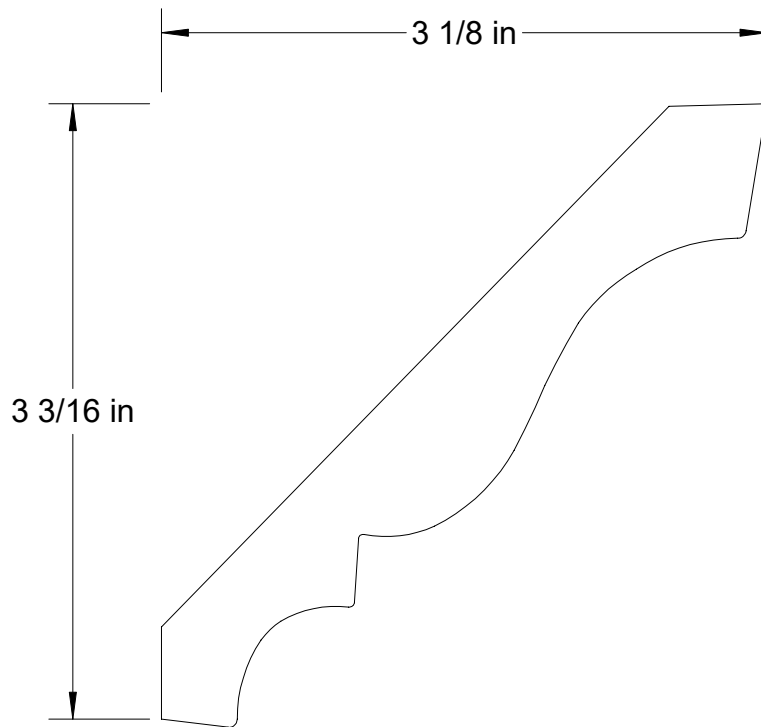
CROWN 34521 3/4' X 4 3/8"



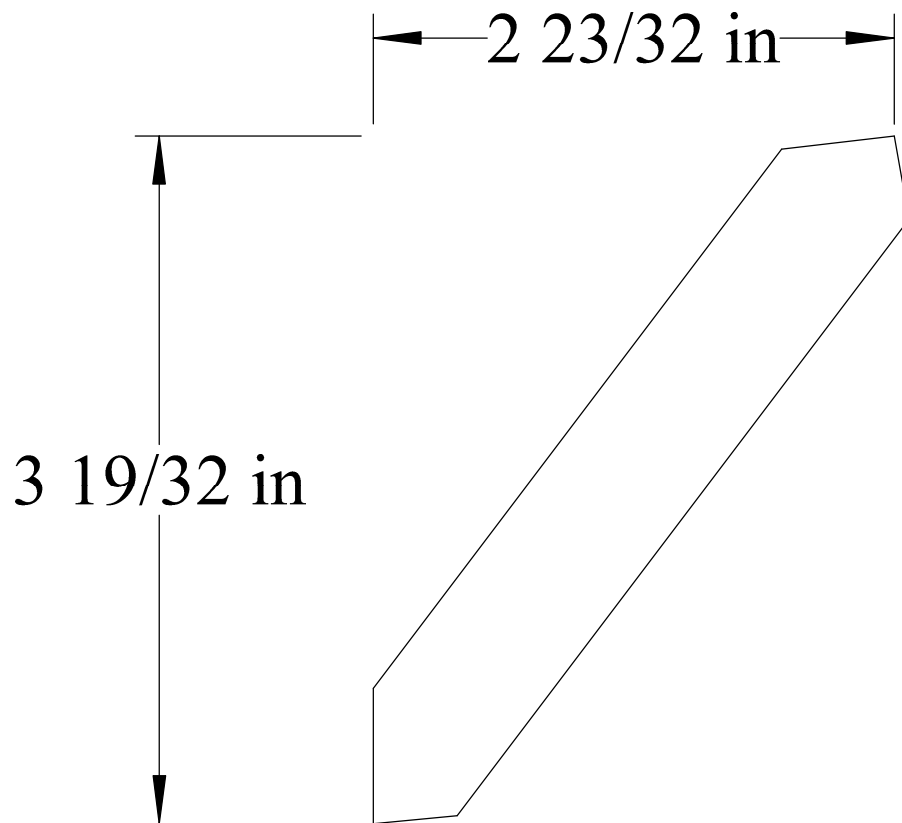
CROWN 342522 $1 \frac{3}{16}$ " X $3 \frac{23}{32}$ "



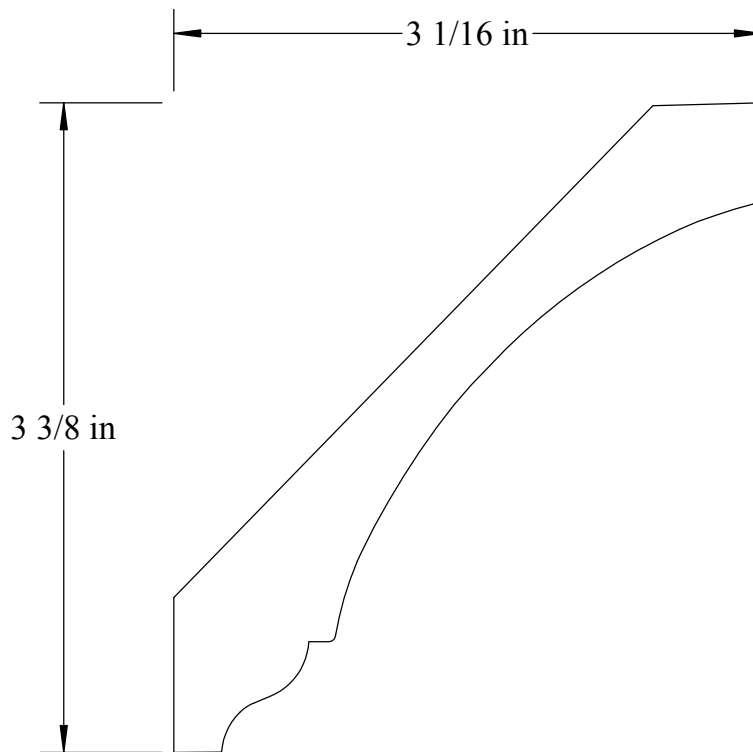
CROWN 342523 $\frac{3}{4}$ " X $\frac{4}{16}$ "



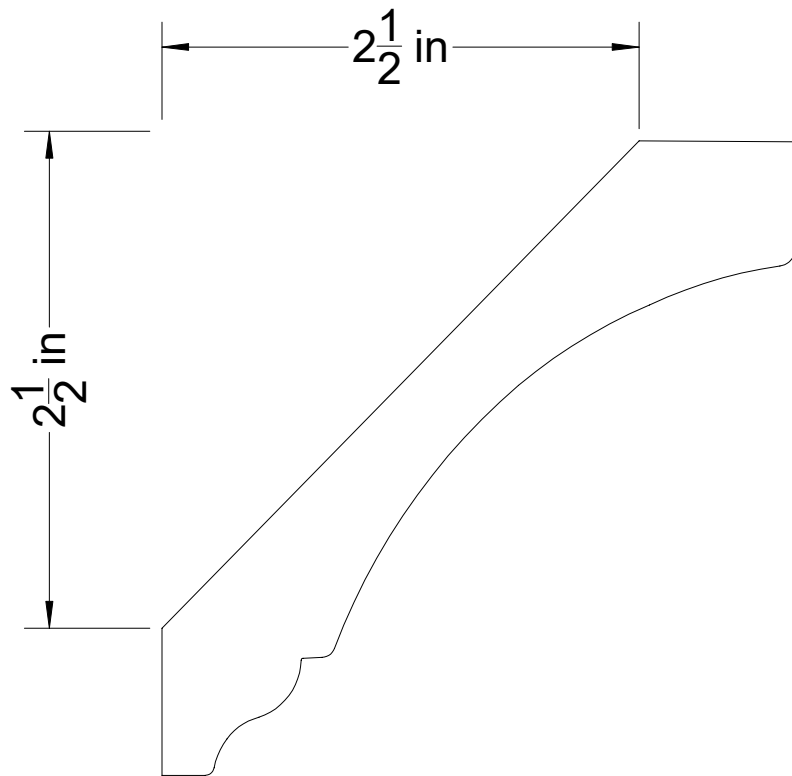
CROWN 345012 $\frac{3}{4}$ " X $4 \frac{1}{2}$ "



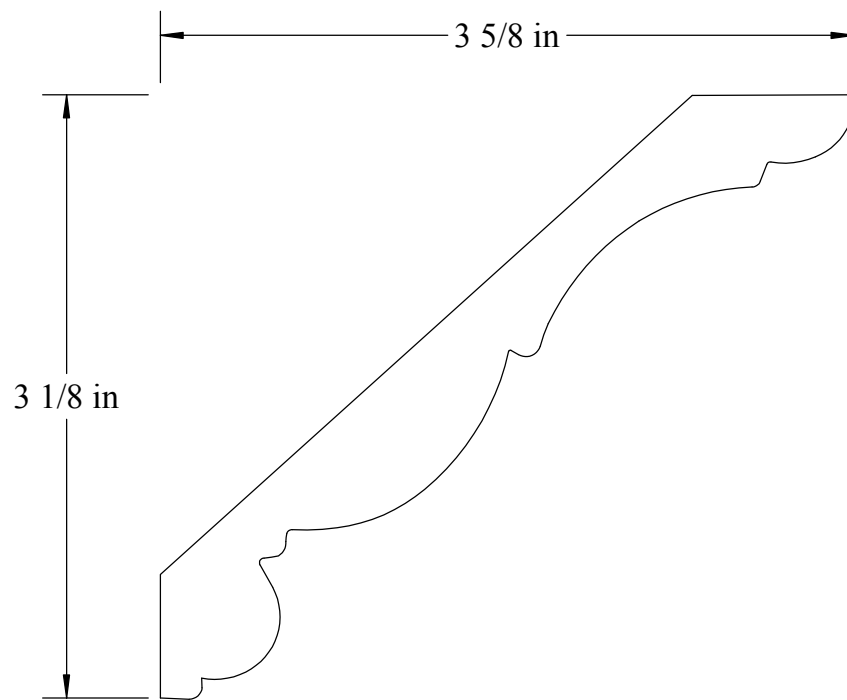
CROWN 345013 $\frac{3}{4}$ x $4 \frac{1}{2}$ "



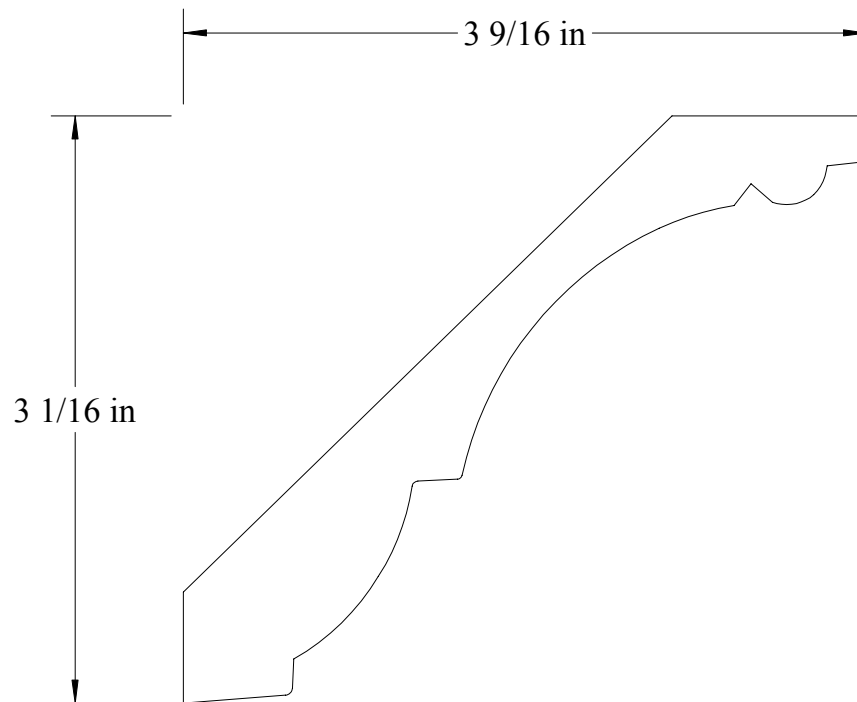
CROWN 34638 $\frac{3}{4}$ " X $4 \frac{9}{16}$ "



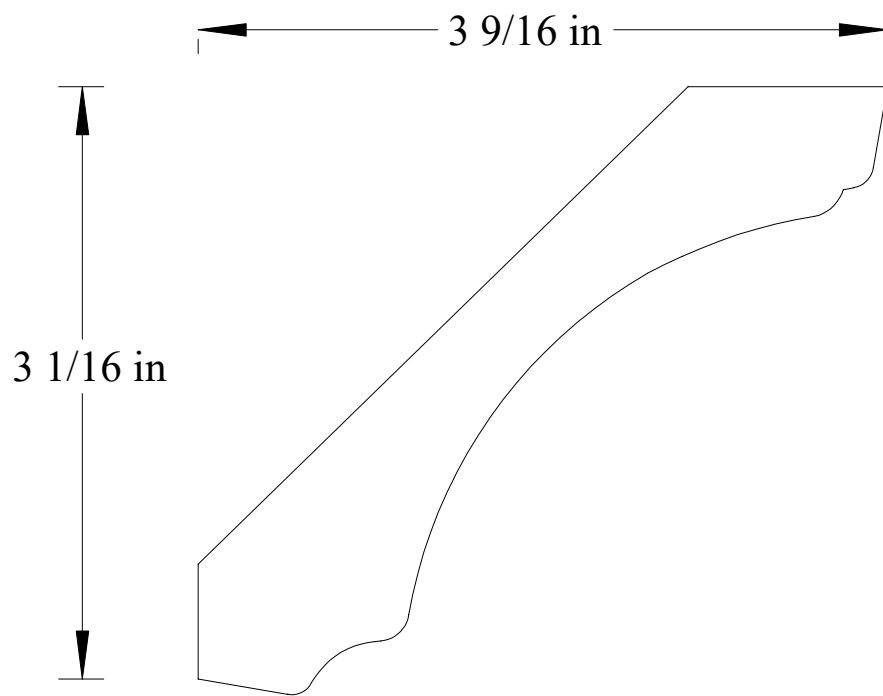
CROWN 3469 1" x 4 11/16'



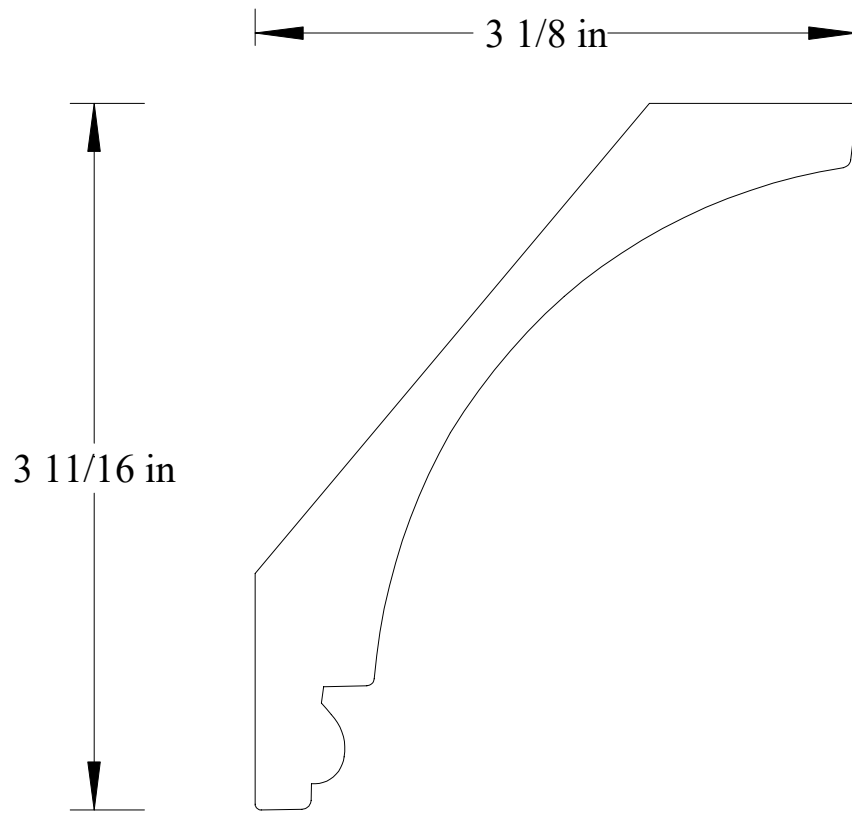
CROWN 34754 $1 \frac{1}{16}$ " X $4 \frac{13}{16}$ "



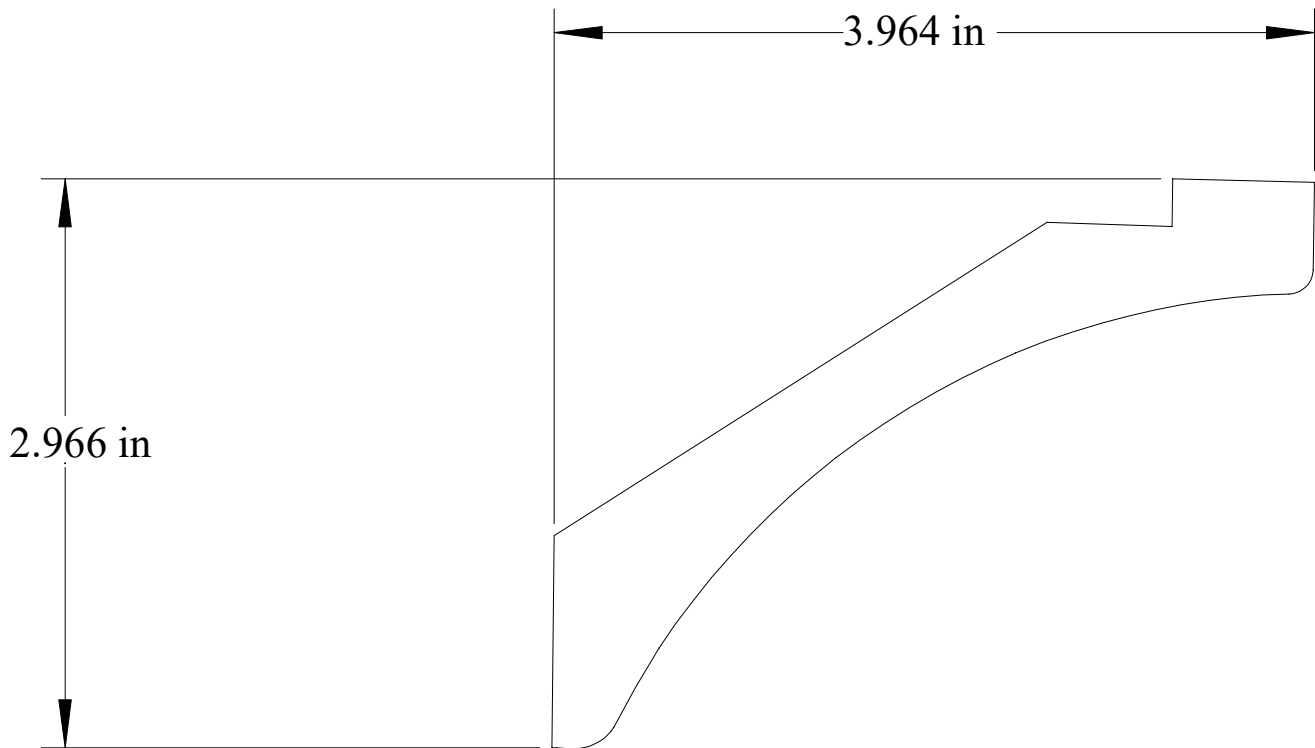
CROWN 34758 $1 \frac{3}{16}$ " X $4 \frac{11}{16}$ "



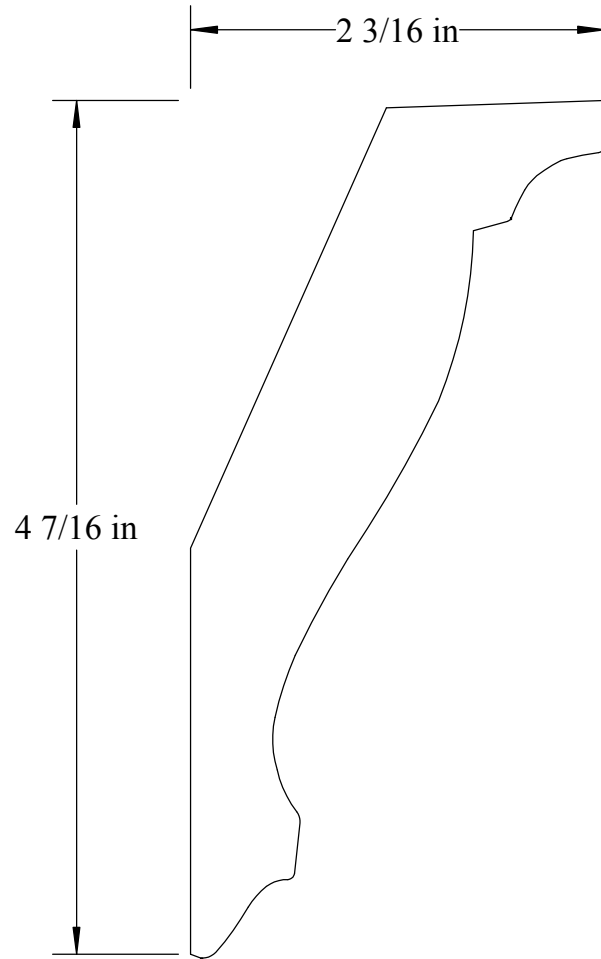
CROWN 34759 1" X 4 3/4"



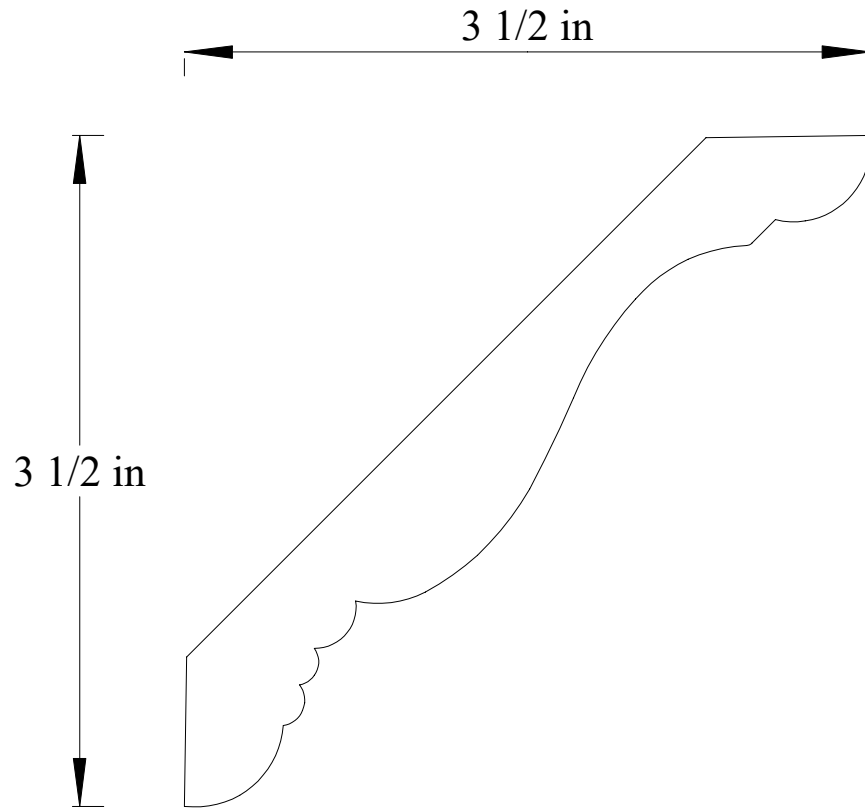
CROWN 3481 1" X 4 13/16"



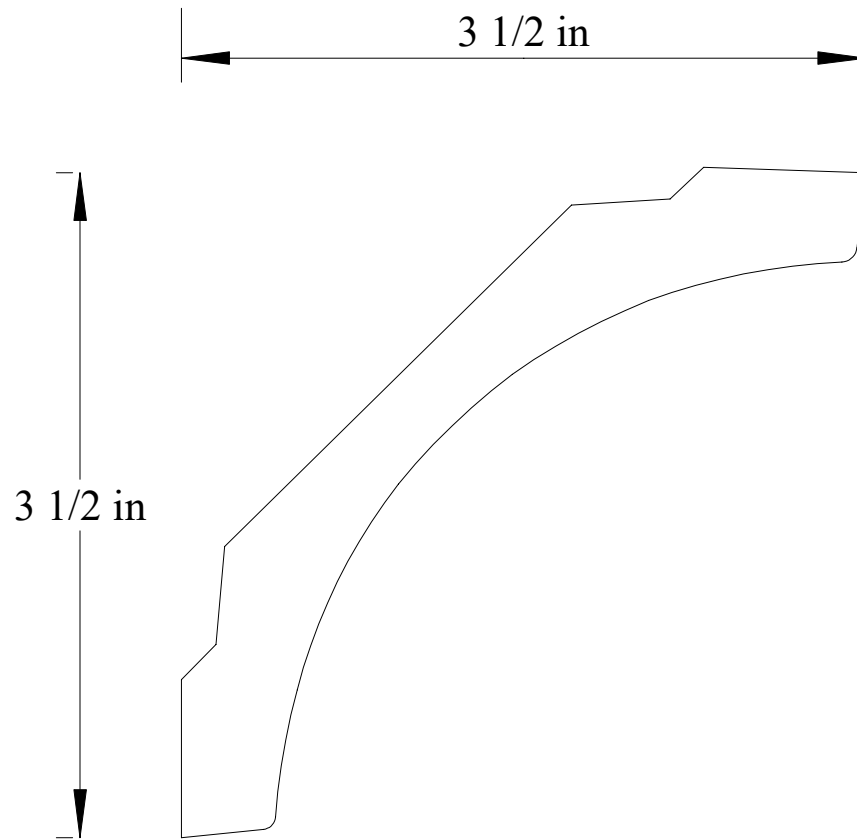
CROWN 34942 1 1/16" x 4 15/16"



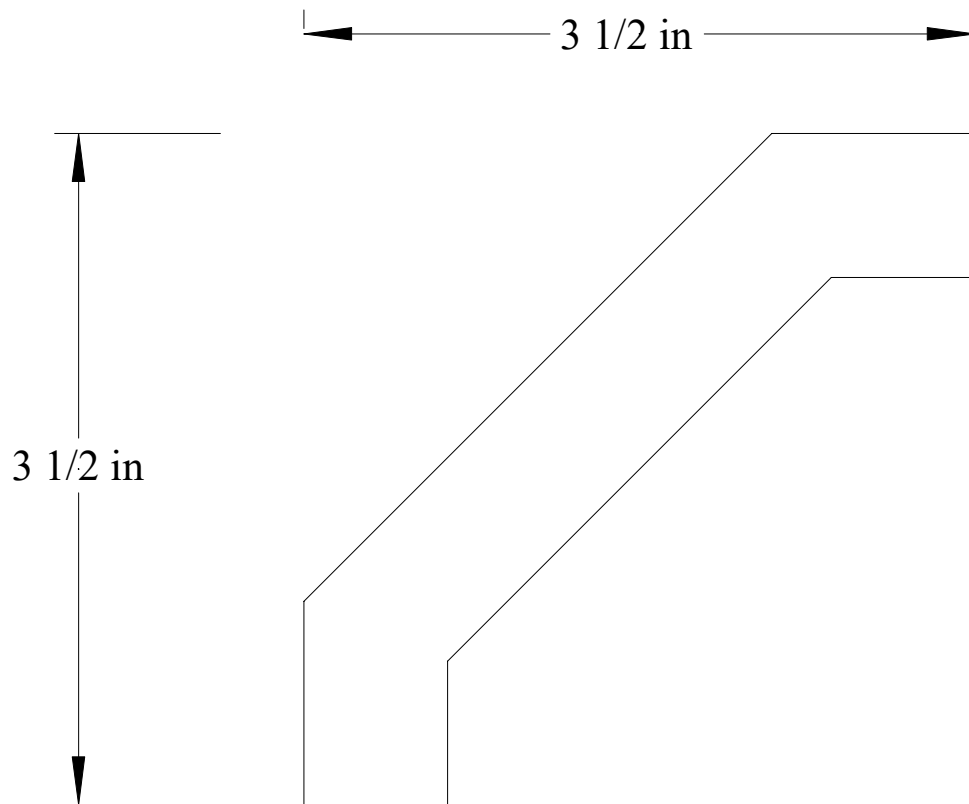
CROWN 35005 $1 \frac{3}{16}$ " X $4 \frac{15}{16}$ "



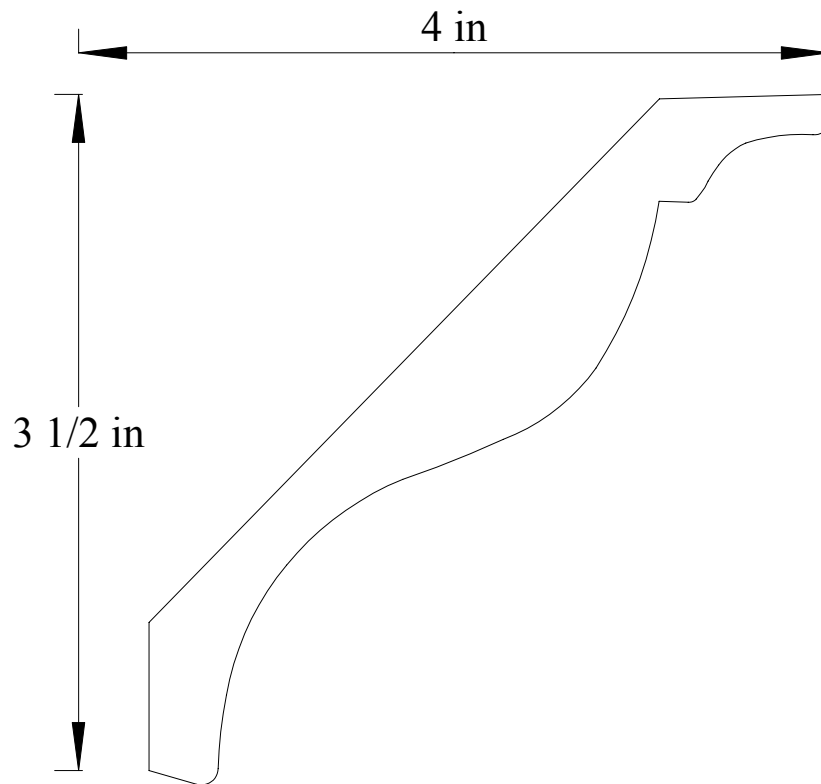
CROWN 35006 3/4" x 5"



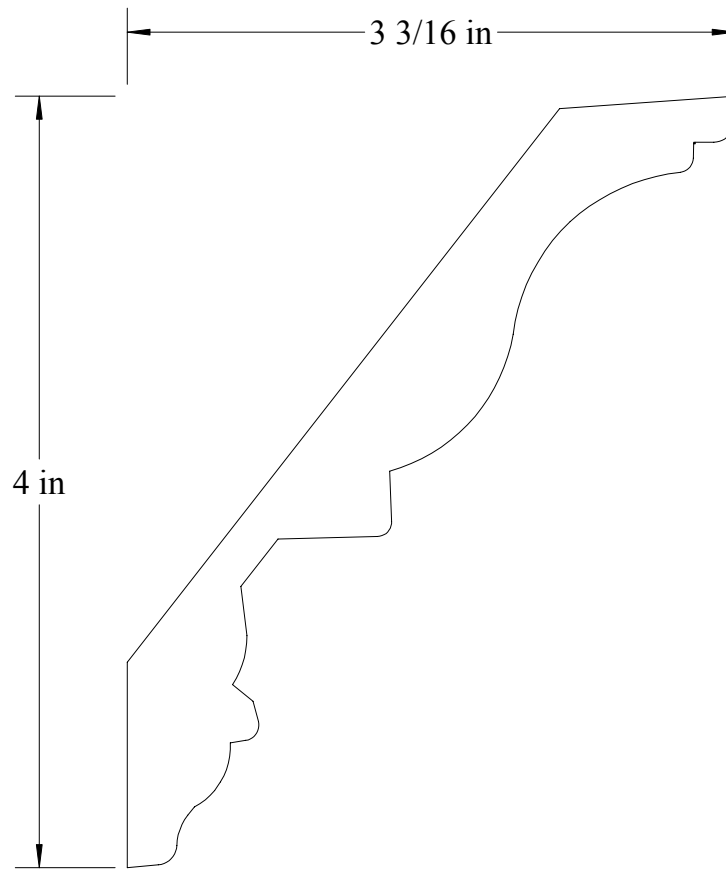
CROWN 35007 1 1/4" x 4 15/16"



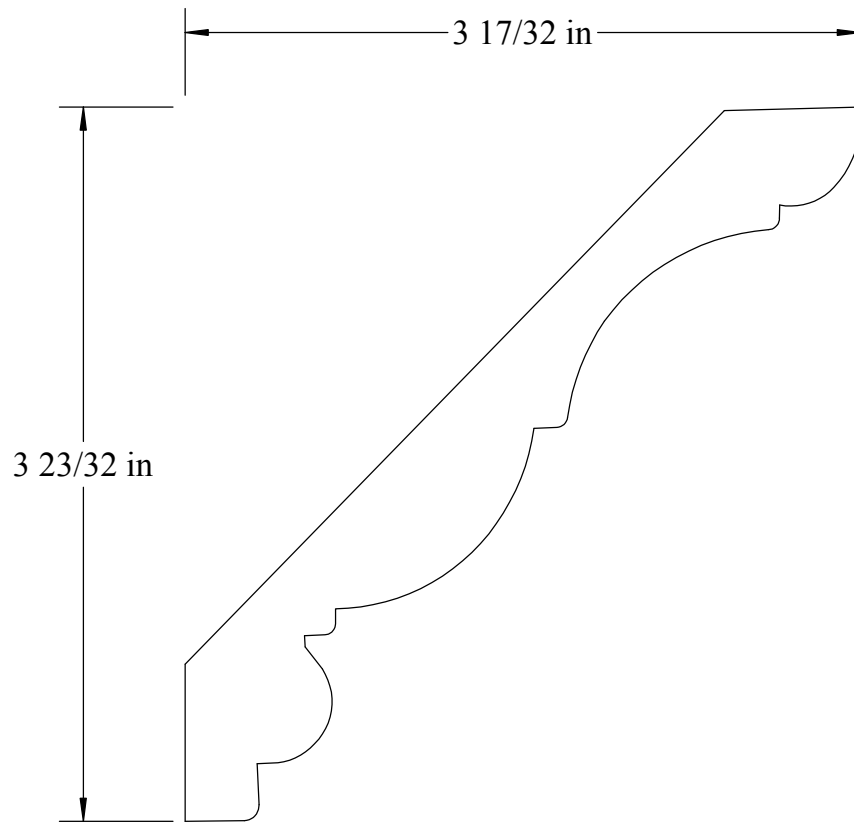
CROWN 35009 1 1/4" X 4 15/16"



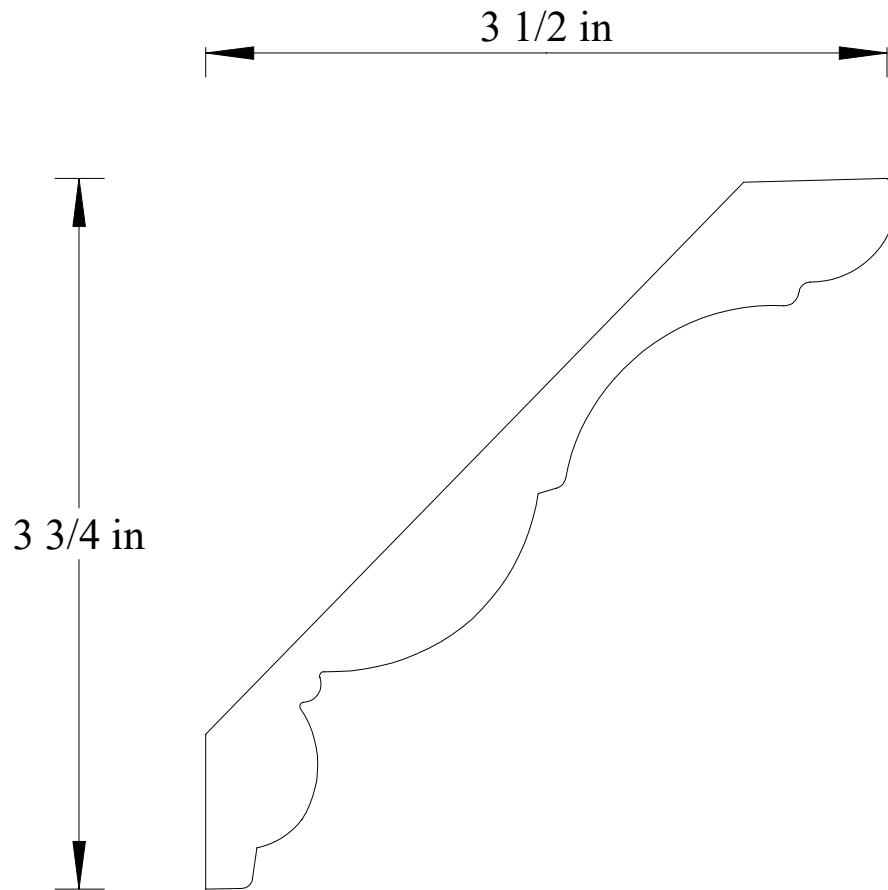
CROWN 350010 13/16" X 5"



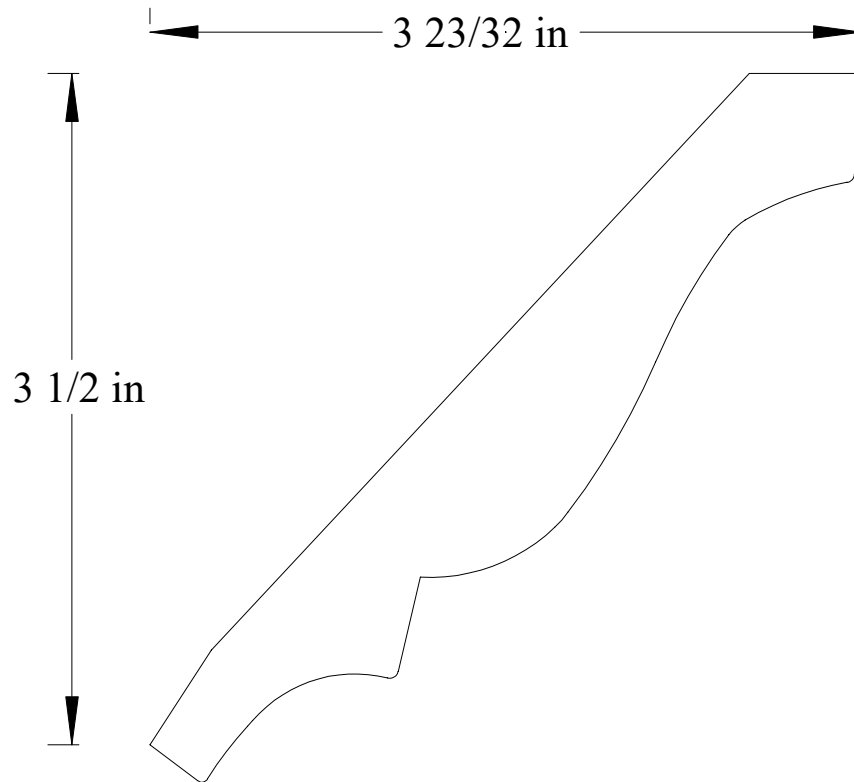
CROWN 35133 13/16" X 5 1/8"



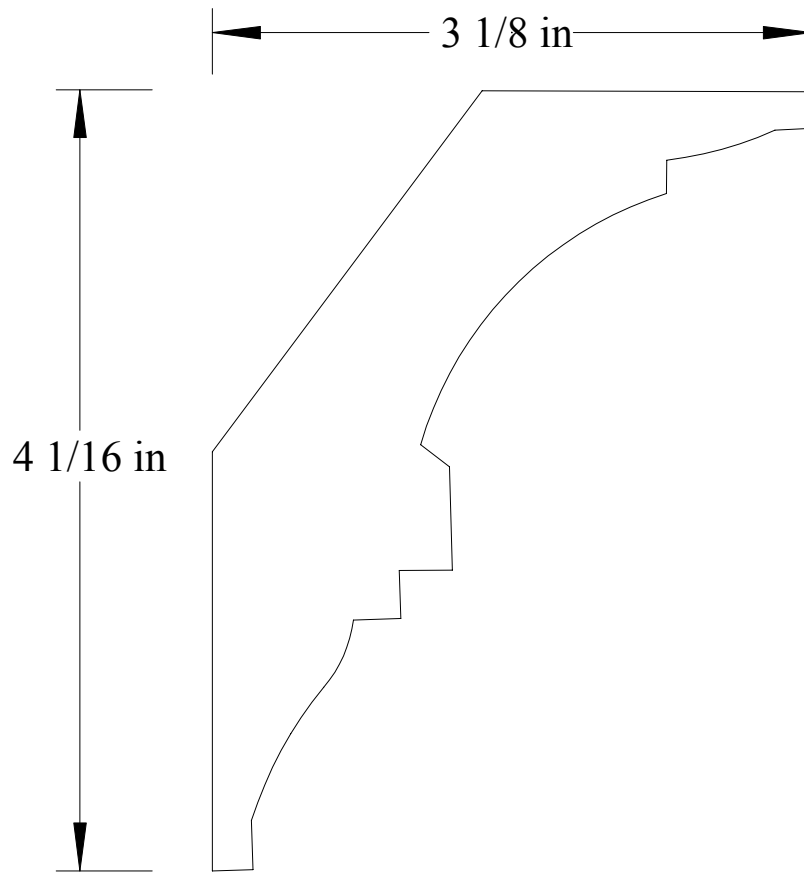
CROWN 35134 $1 \frac{13}{16}$ " X $5 \frac{1}{8}$ "



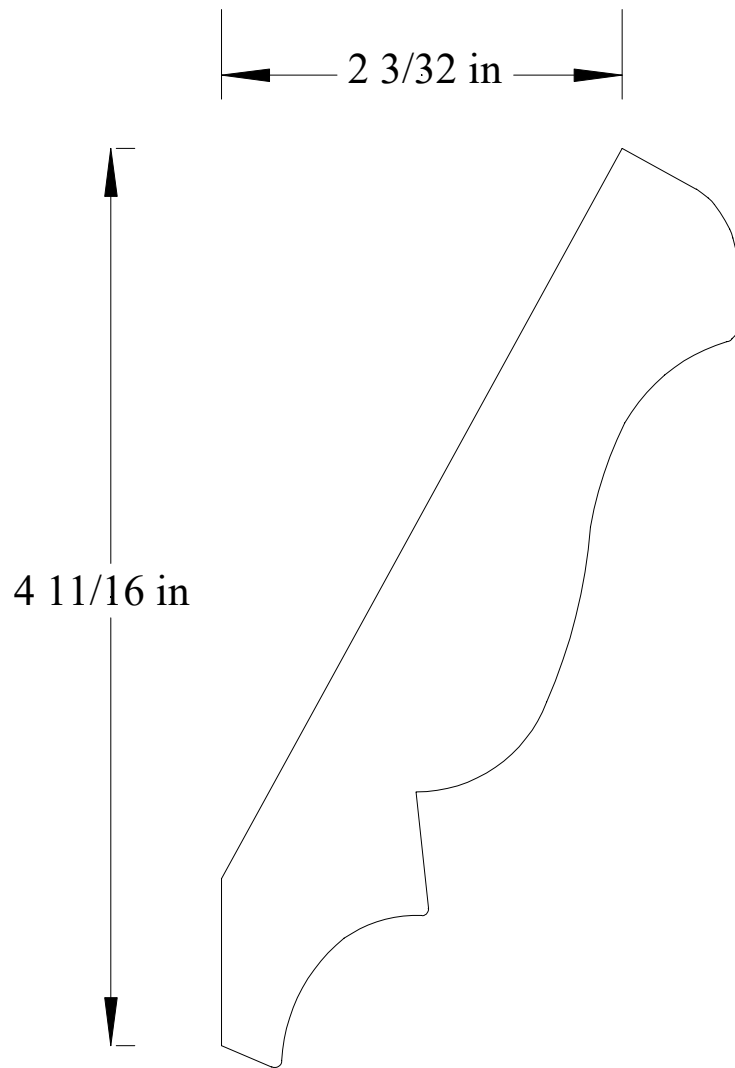
CROWN #35135 3/4" x 5 1/8"



CROWN 35136 7/8' X 5 3/32"



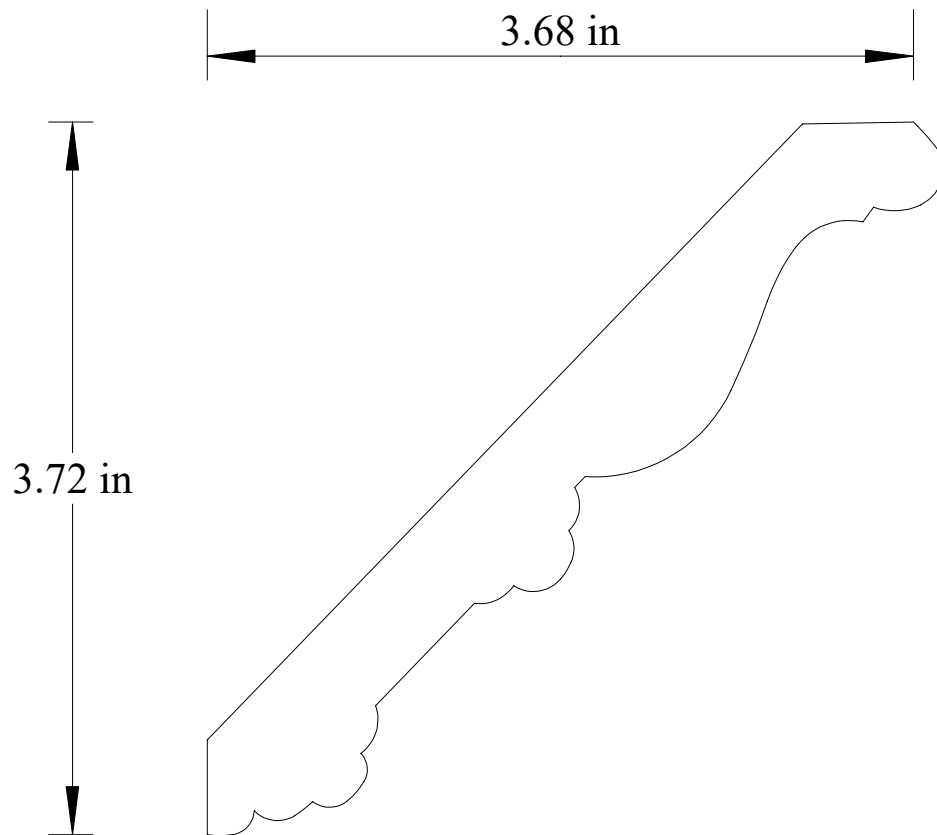
CROWN 35137 $1 \frac{1}{2}$ " X $5 \frac{1}{8}$ "



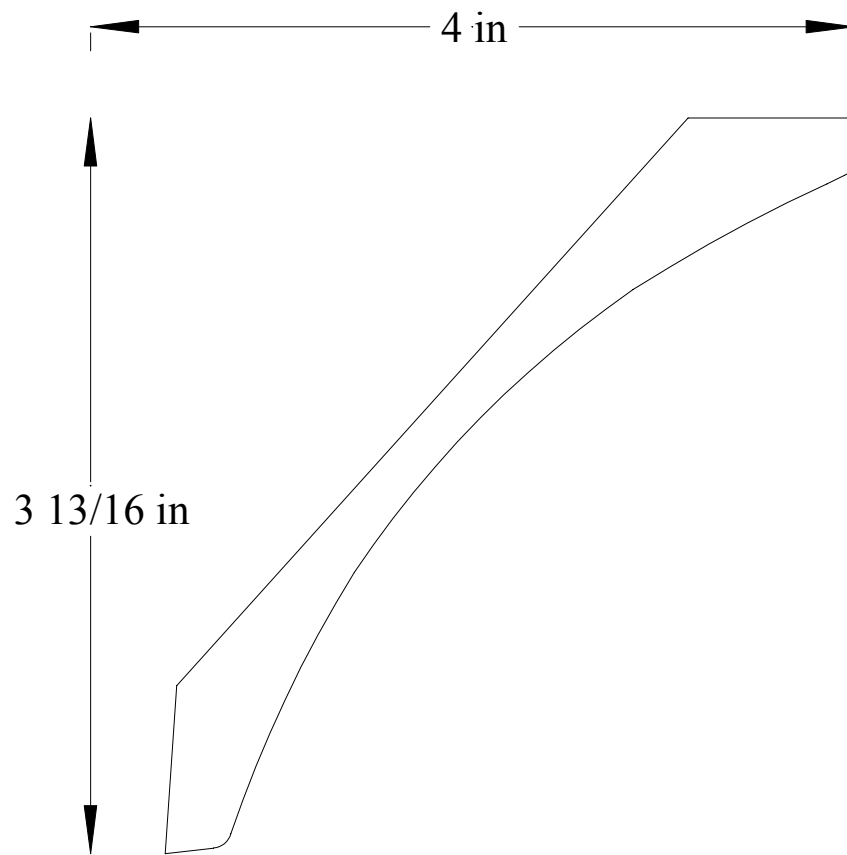
CROWN 35139 $1 \frac{1}{16}$ " X $5 \frac{3}{32}$ "



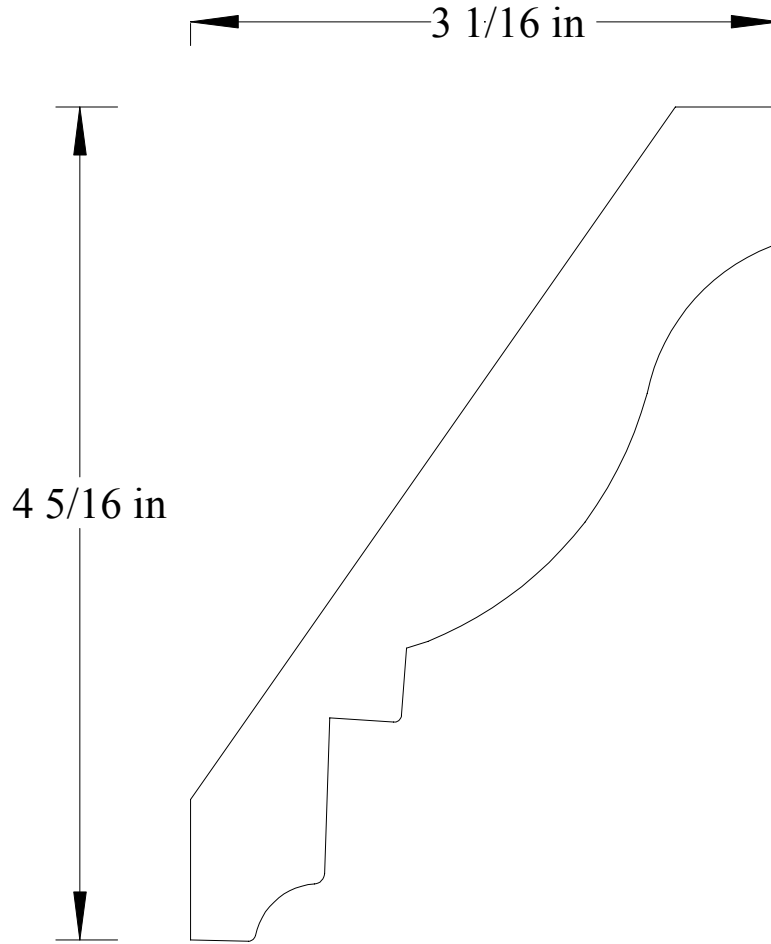
CROWN 352522 $1 \frac{1}{16}$ " X $5 \frac{1}{4}$ "



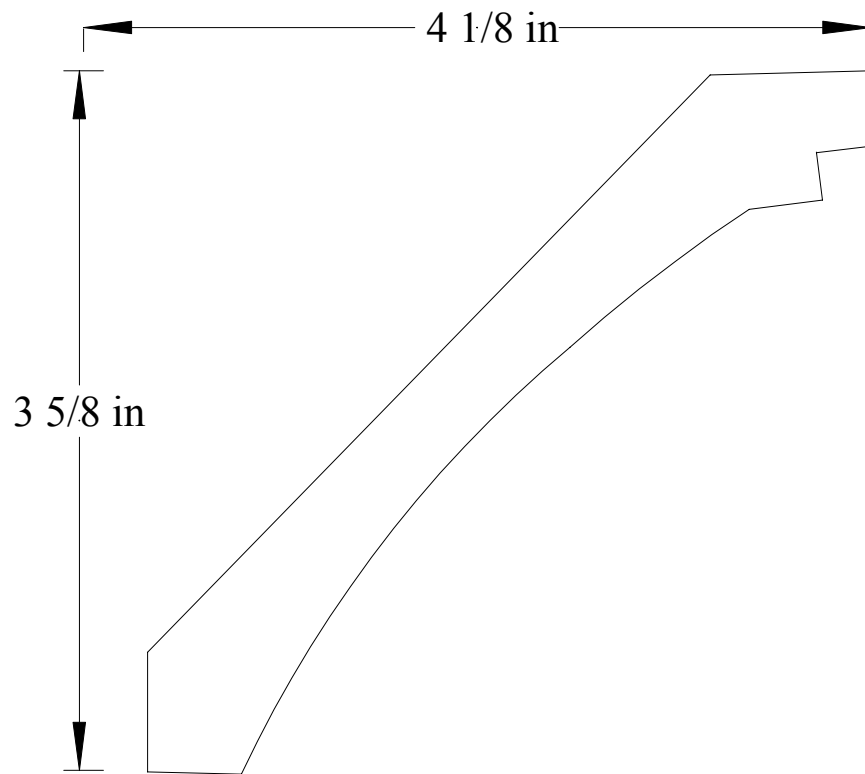
CROWN 352523 3/4" x 5 1/4"



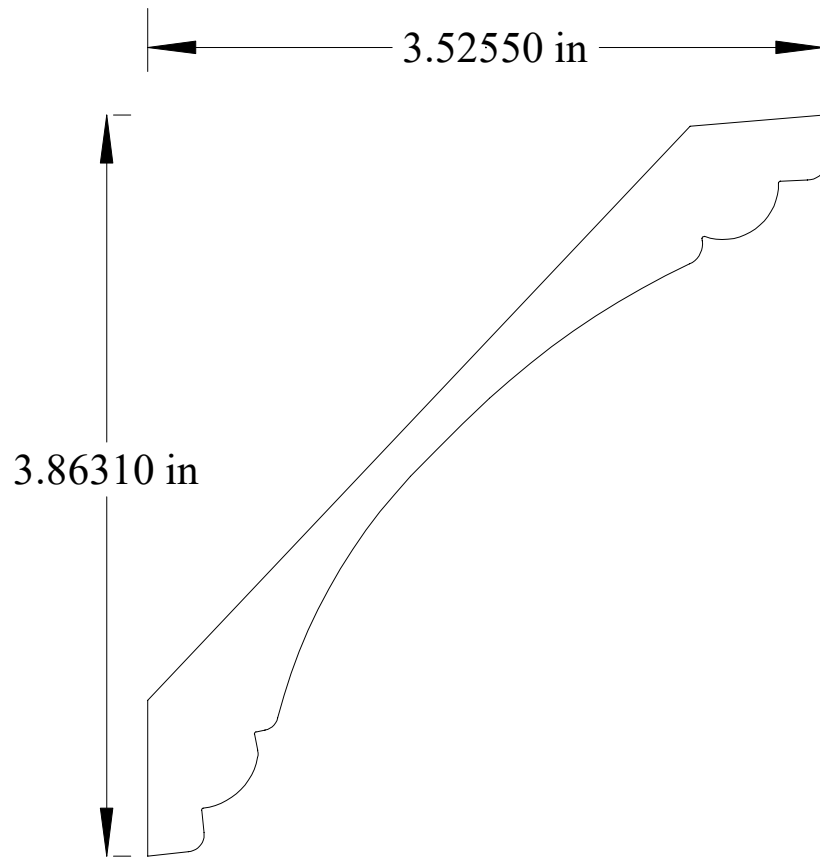
CROWN 352524 13/16" X 5 1/4"



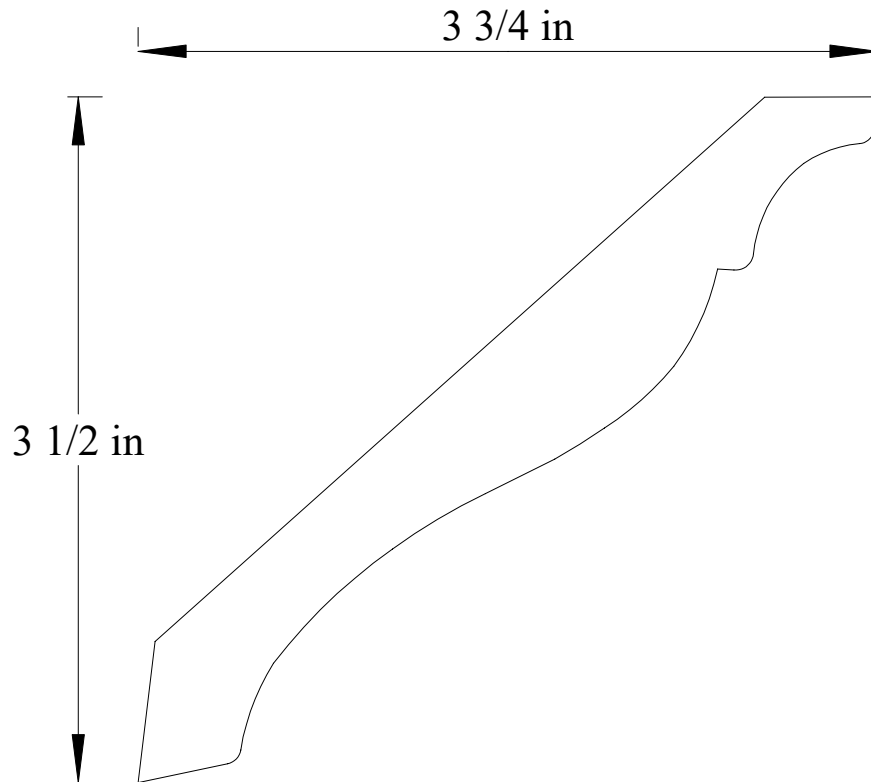
CROWN 352525 $27/32$ " X $5 \frac{5}{16}$ "



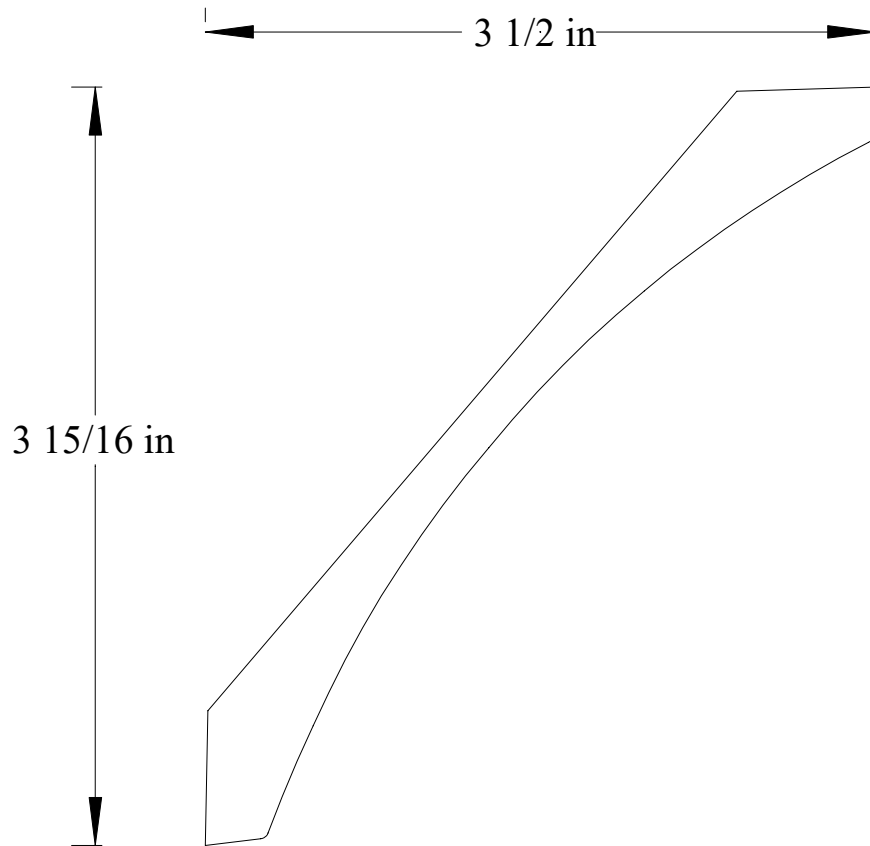
CROWN 352526 $\frac{7}{8}$ " X $5 \frac{1}{4}$ "



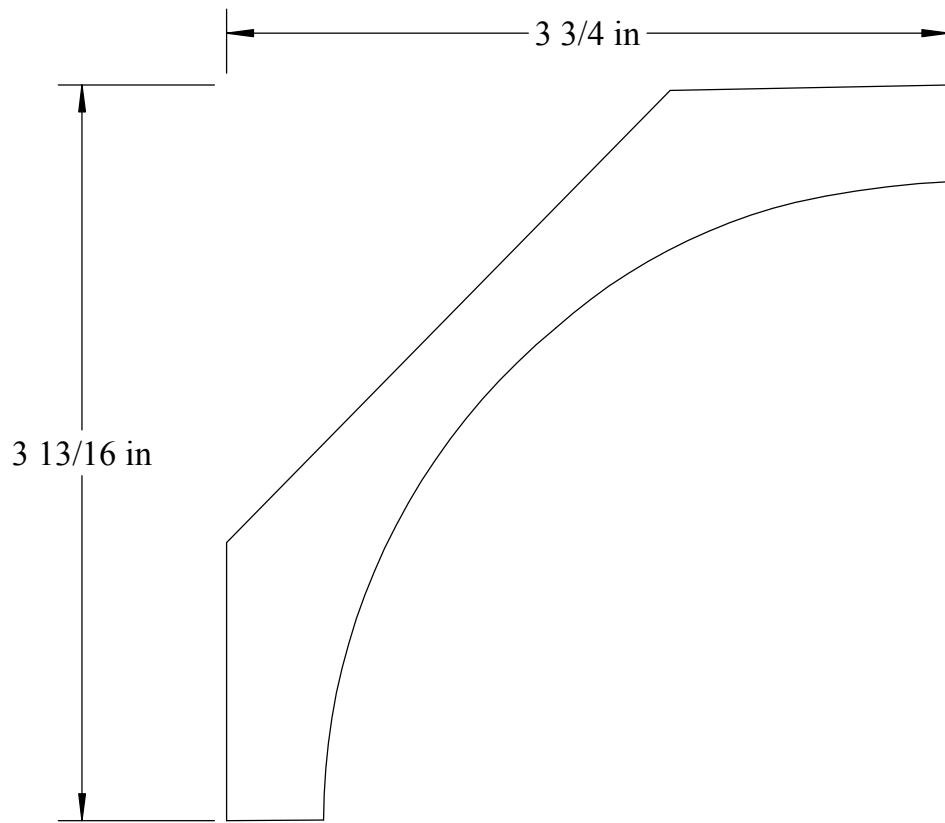
CROWN 352528 21/32" X 5 7/32"



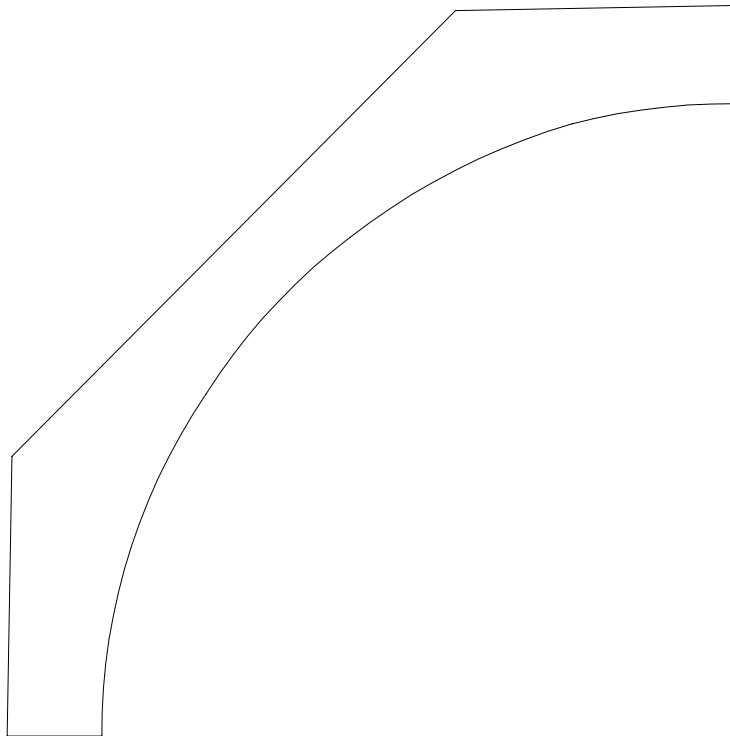
CROWN 352529 $3 \frac{3}{4}$ " X $3 \frac{1}{2}$ "



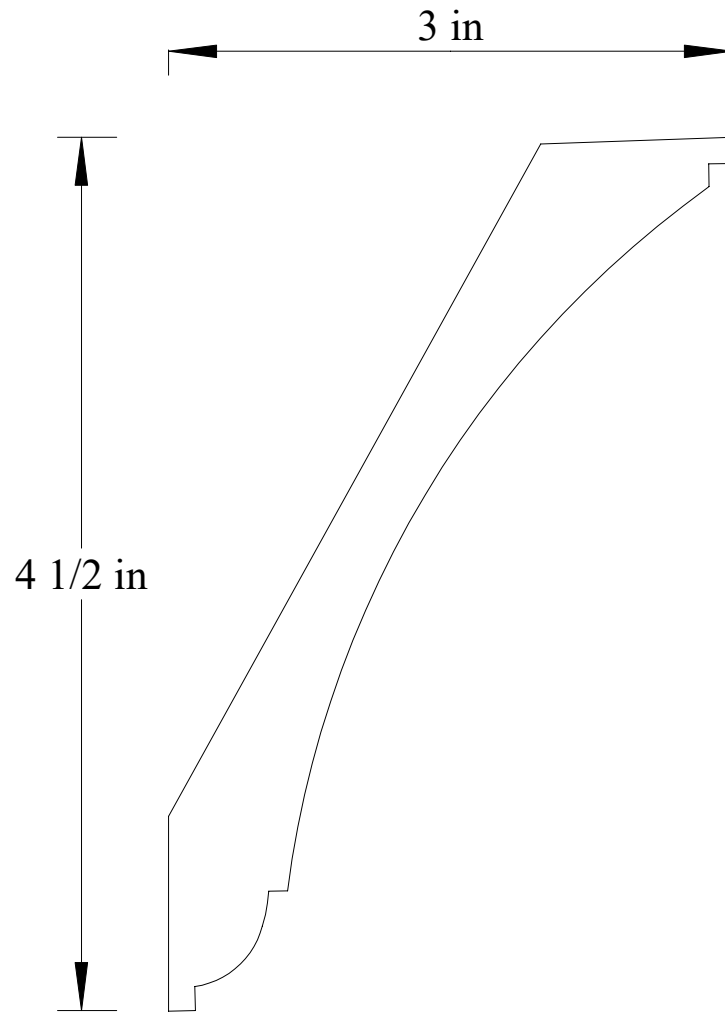
CROWN 352530 11/16" X 5 9/32'



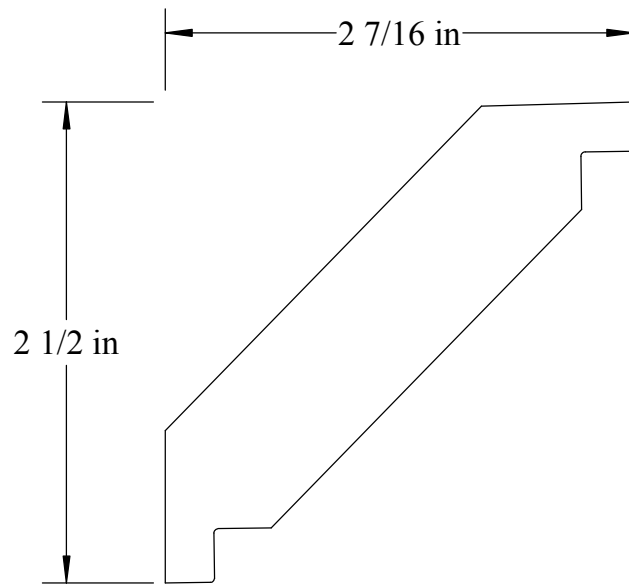
CROWN 35386 $1 \frac{3}{8}$ " X $5 \frac{3}{8}$ "



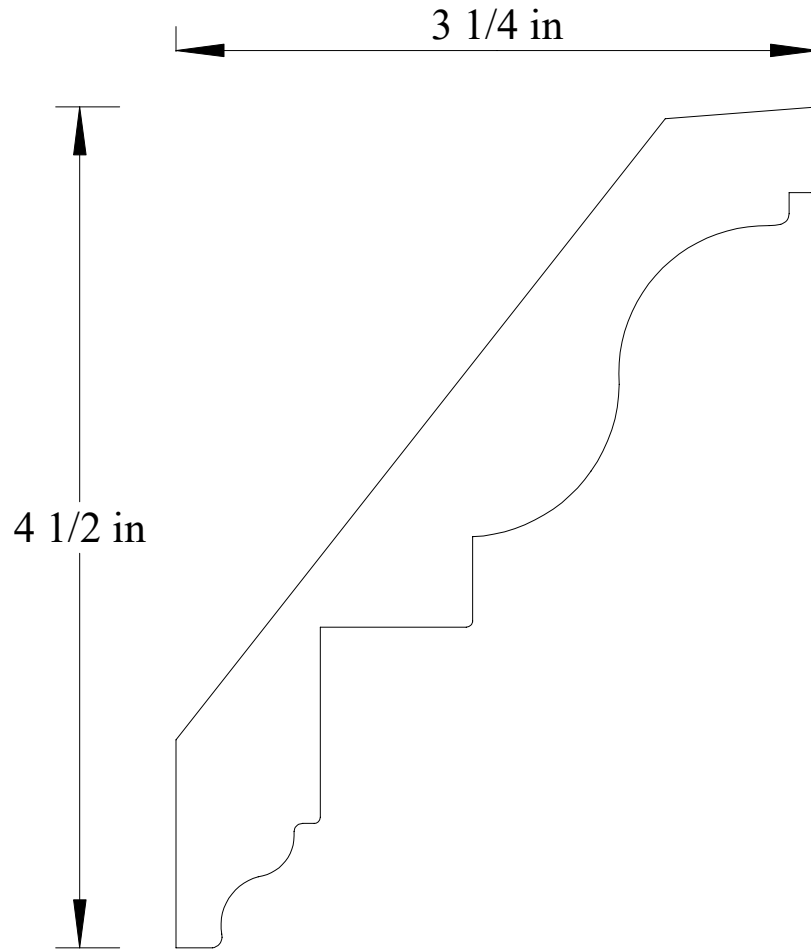
CROWN 35387 1 3/8" X 5 3/8"



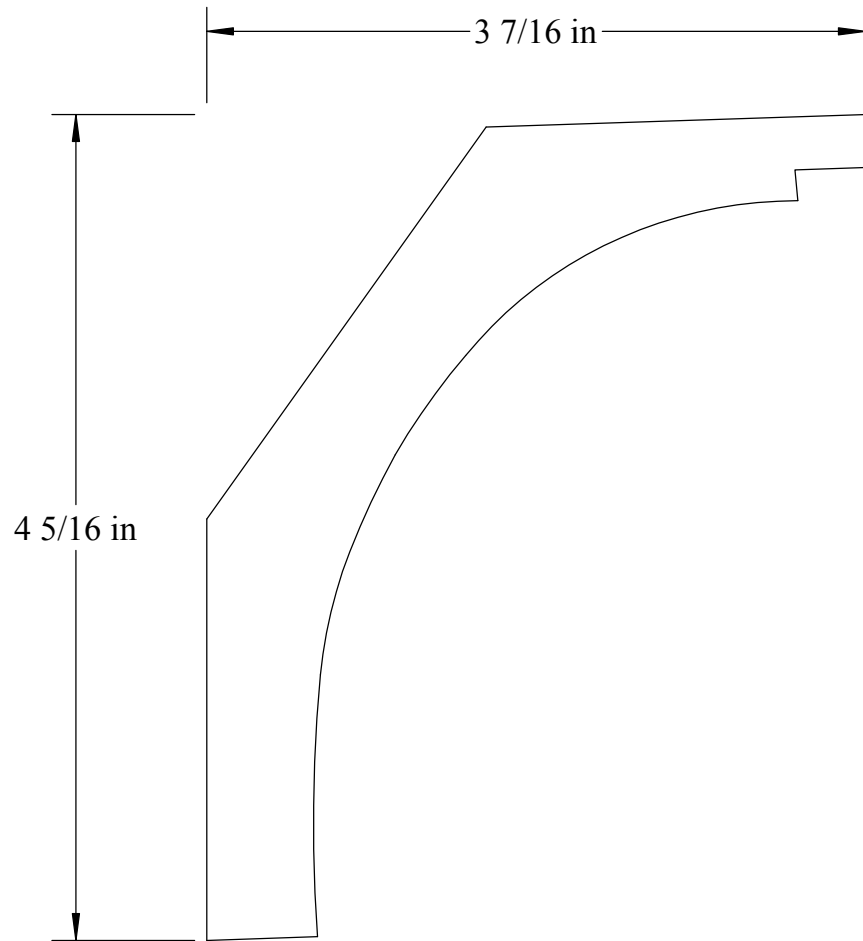
CROWN #35441 15/16" x 5 7/16"



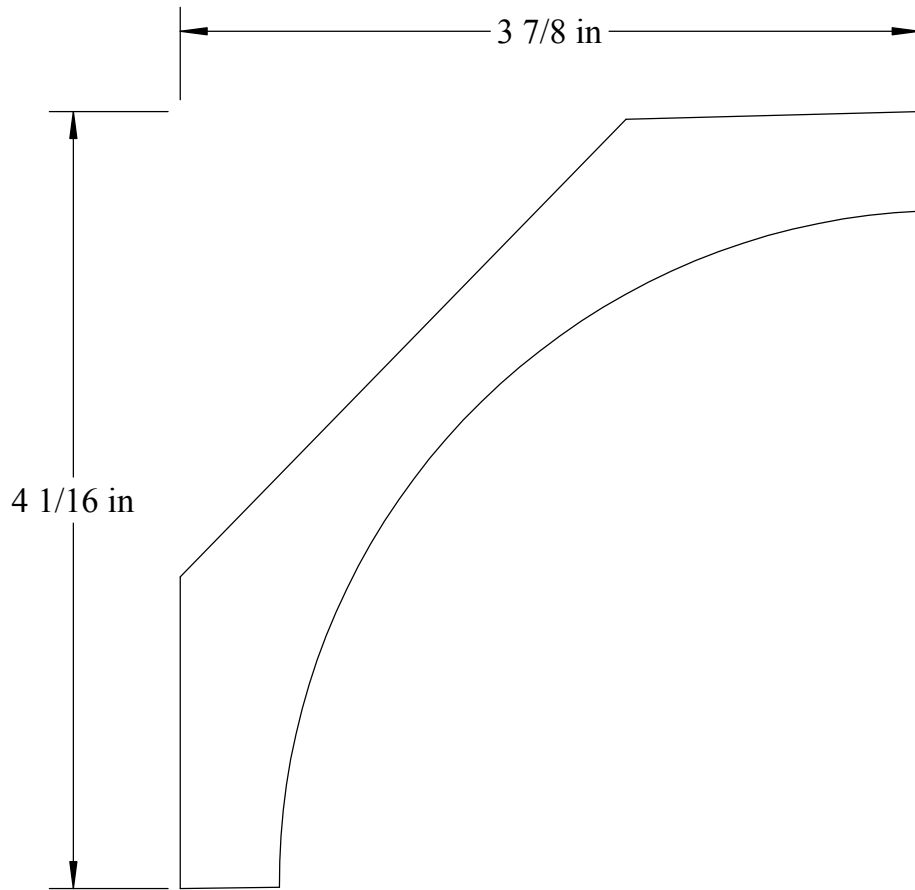
CROWN 33502 3/4" X 3 1/2"



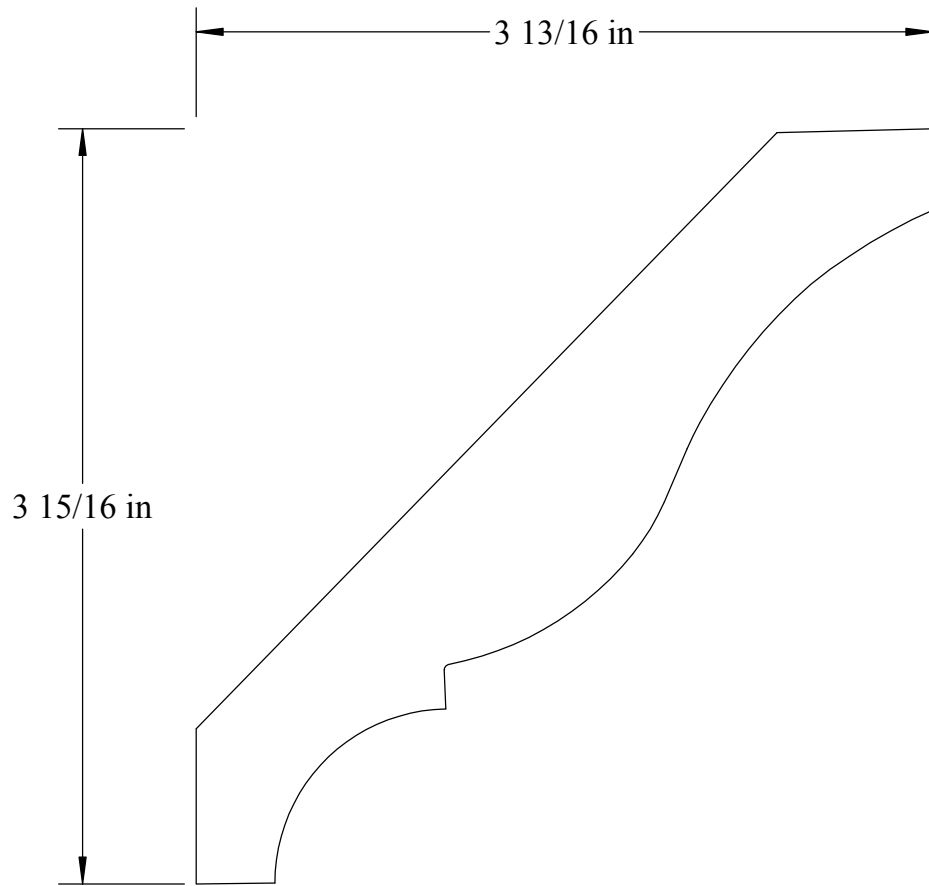
CROWN 35505 7/8" x 5 1/2"



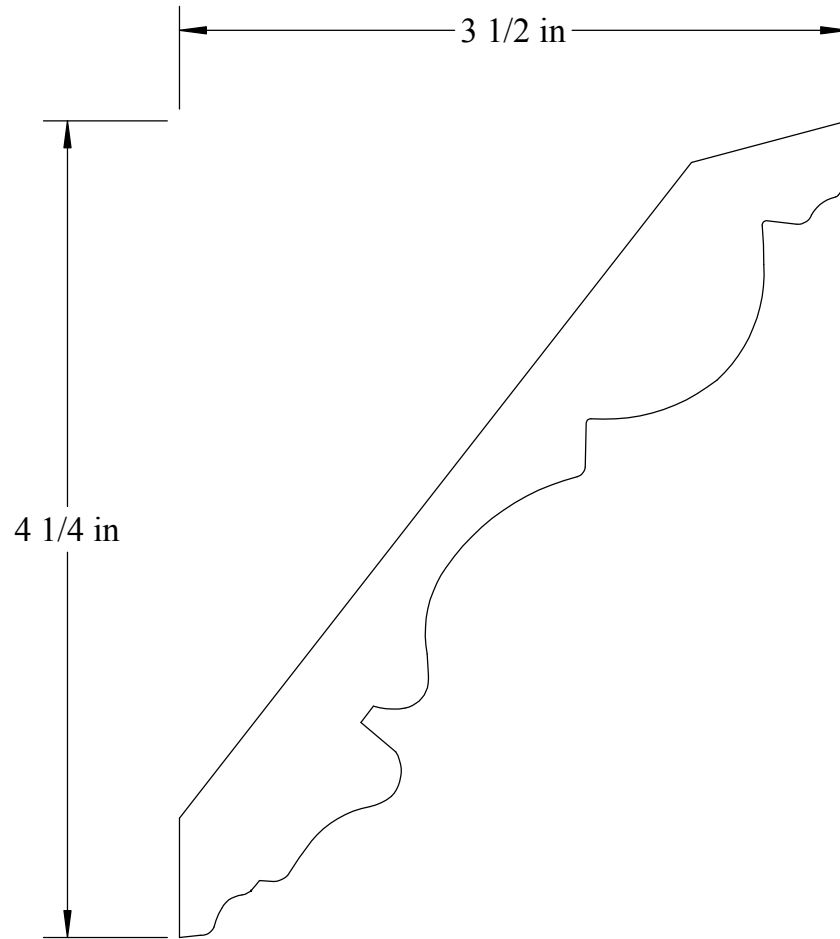
CROWN 355013 1 3/4" X 5 1/2"



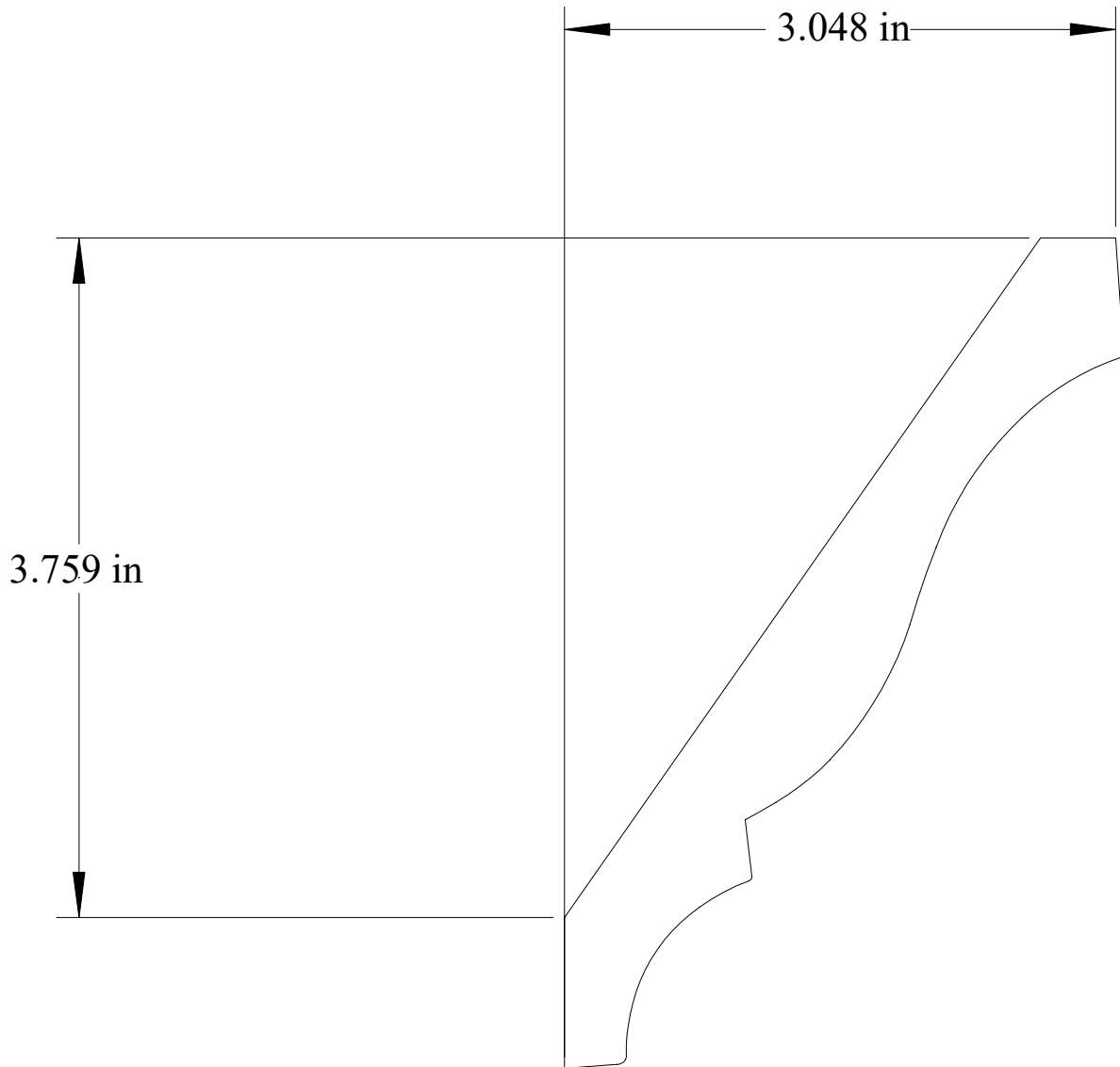
CROWN 355014 1 1/2" 5 9/16"



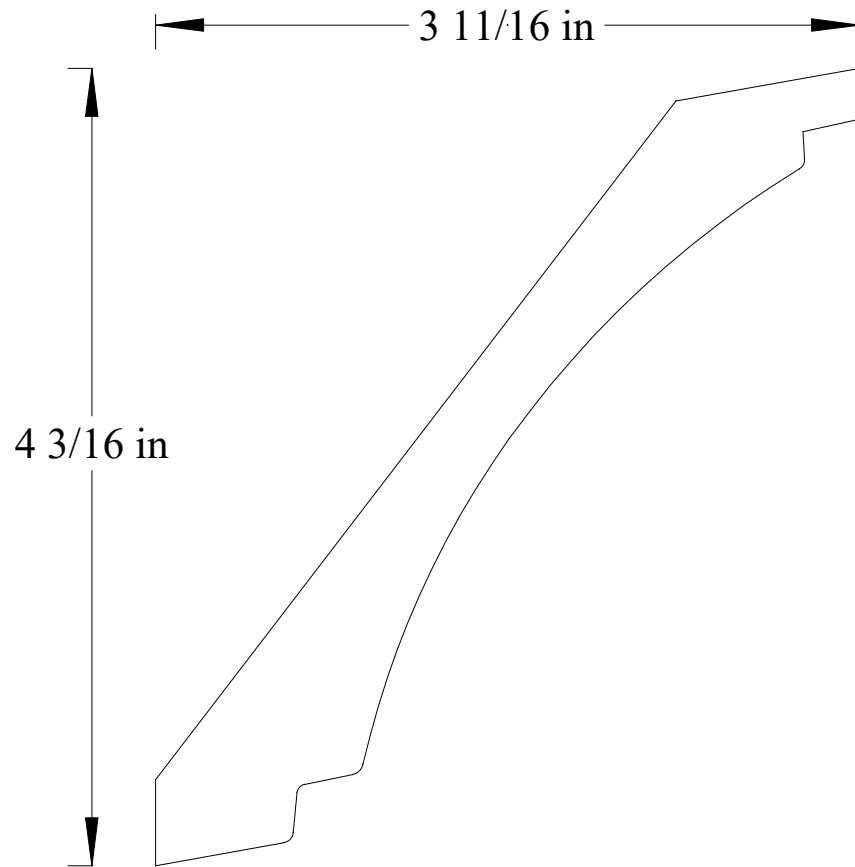
CROWN 355015 1" X 5 1/2"



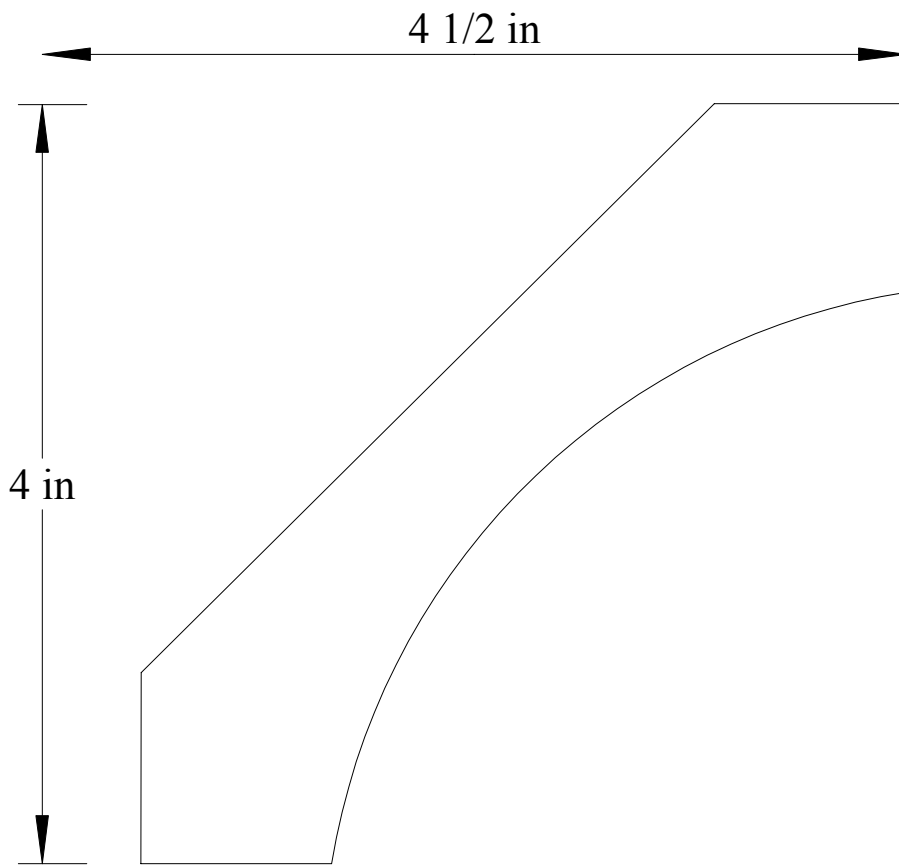
CROWN 355016 13/16" X 5 1/2"



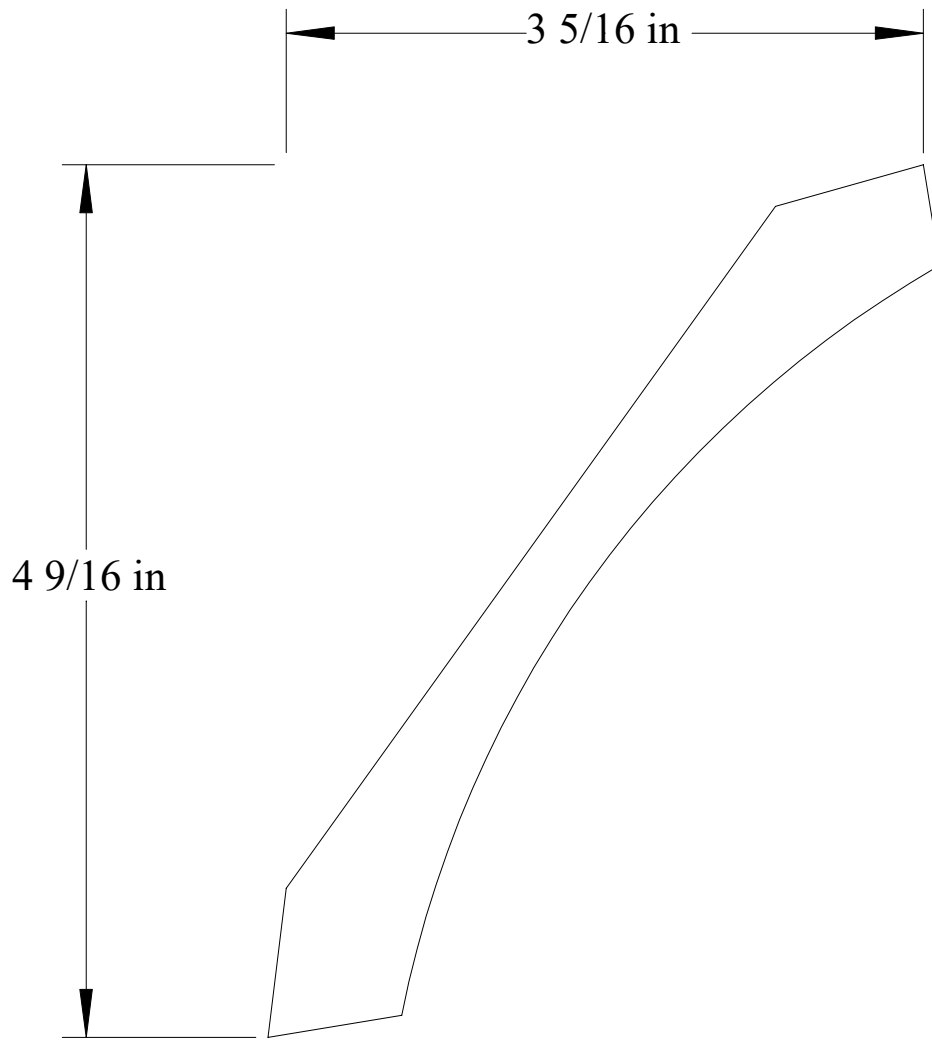
CROWN 355018 3/4" x 5 1/2"



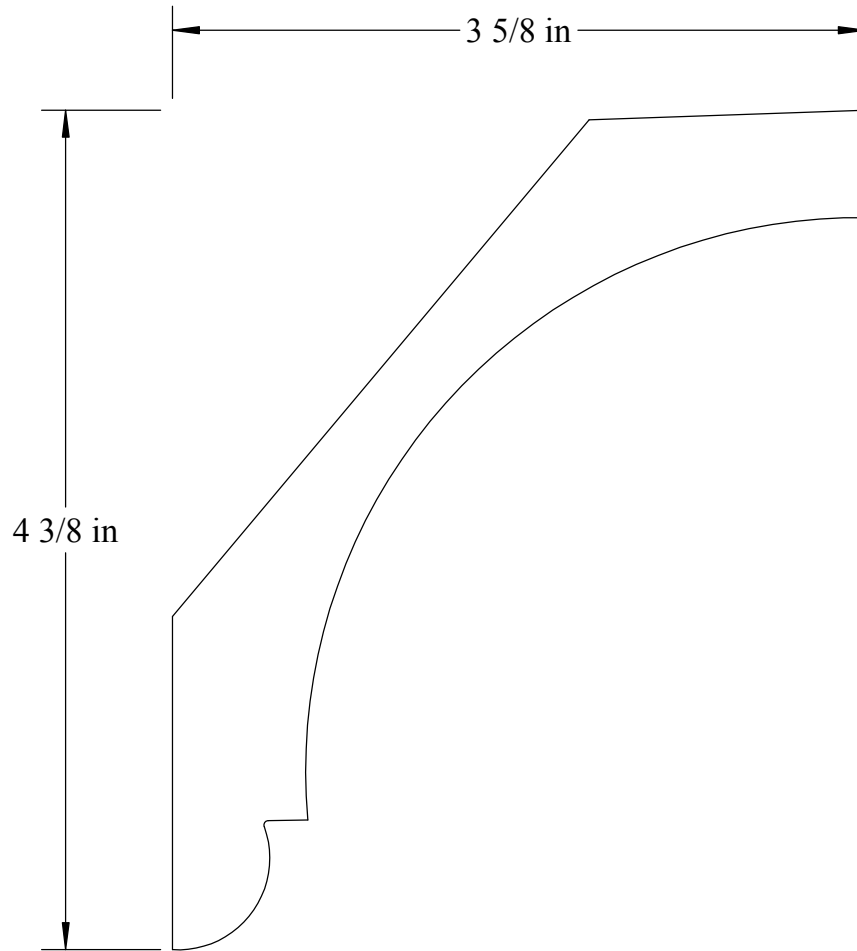
CROWN 3556 $1 \frac{3}{16}$ " X $5 \frac{17}{32}$ "



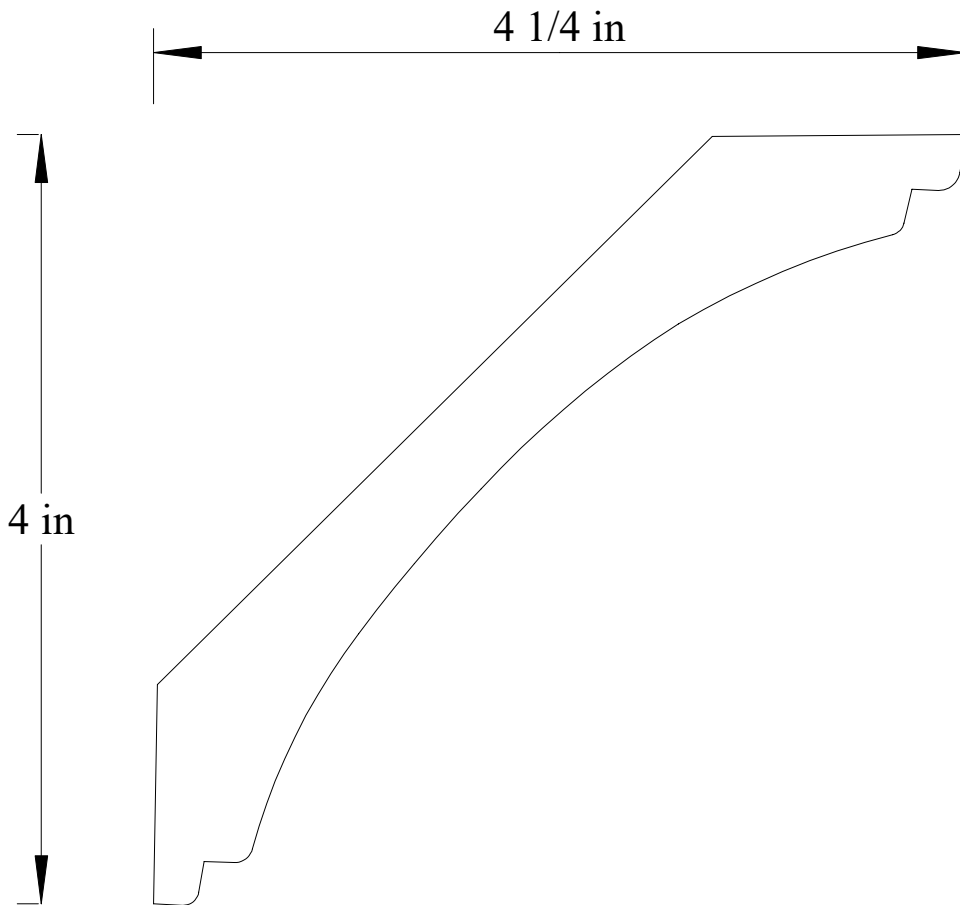
CROWN 35633 1 13/32" X 5 5/8"



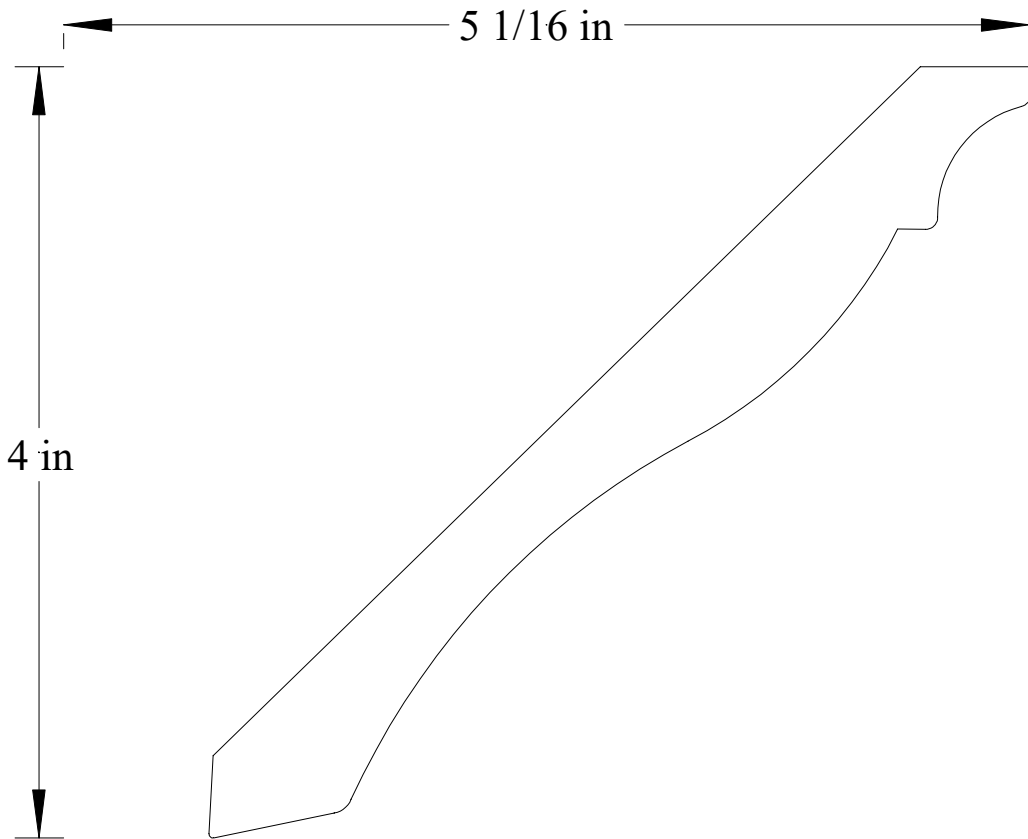
CROWN 3569 $\frac{7}{8}$ " x $5 \frac{5}{8}$ "



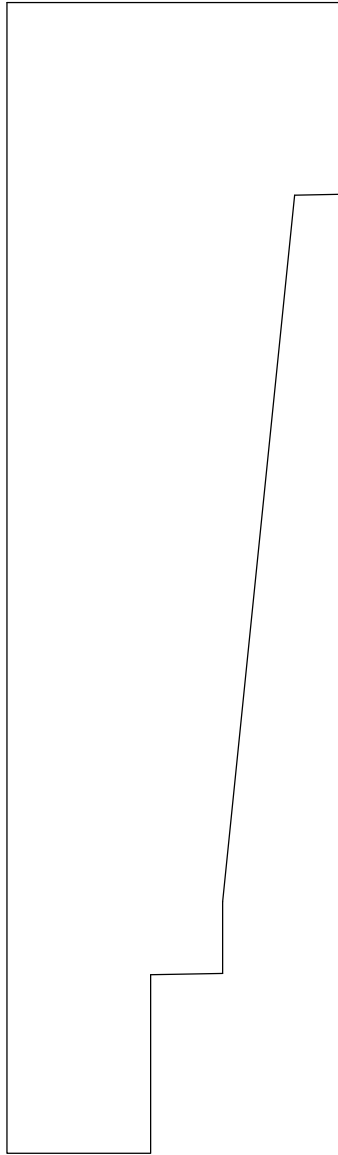
CROWN 35751 $1 \frac{7}{16}$ " X $5 \frac{11}{16}$ "



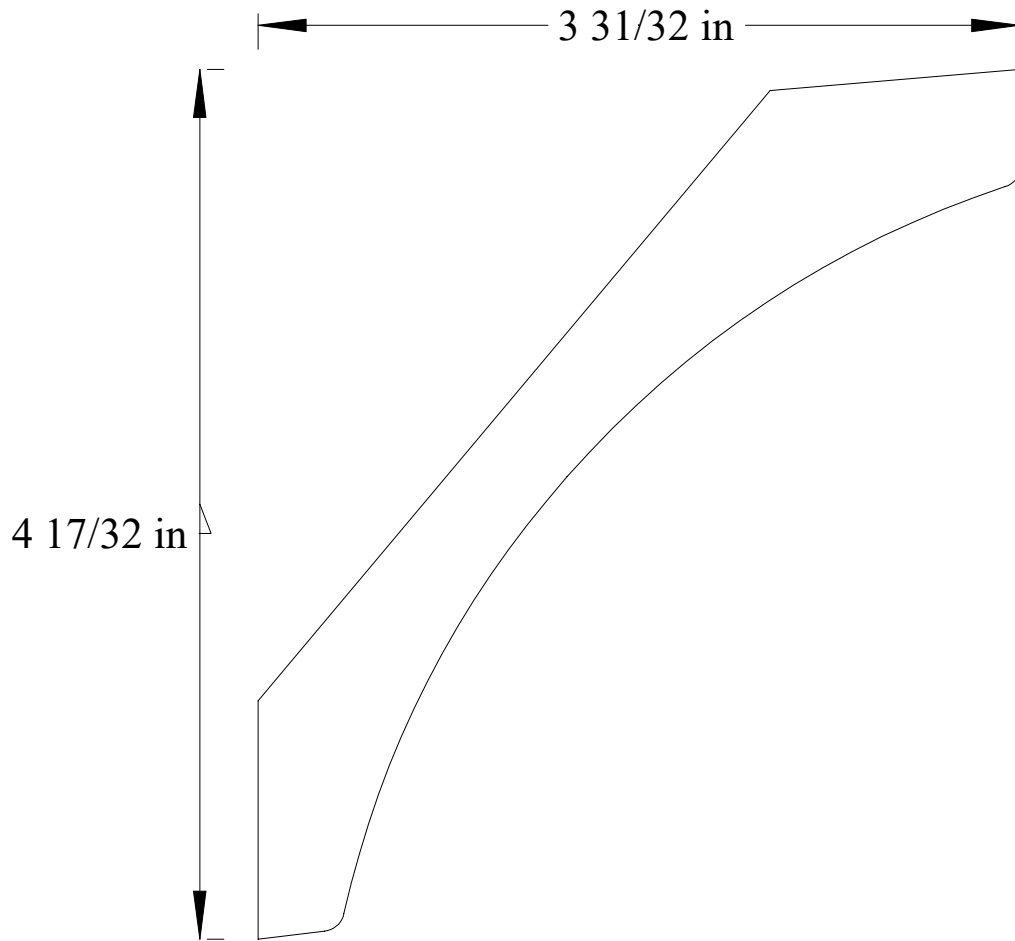
CROWN 3588 1 1/16" X 5 7/8"



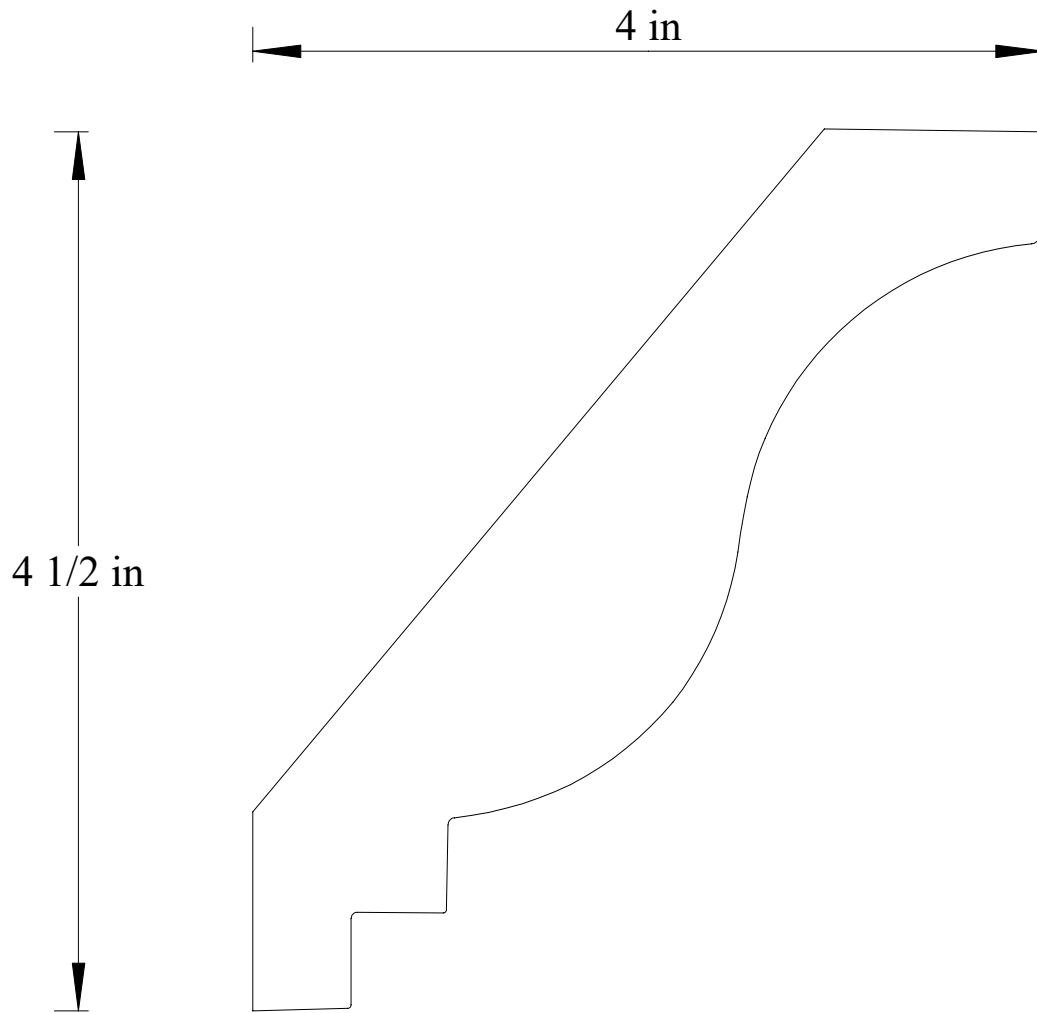
CROWN 35881 $1 \frac{1}{16}$ " X $5 \frac{7}{8}$ "



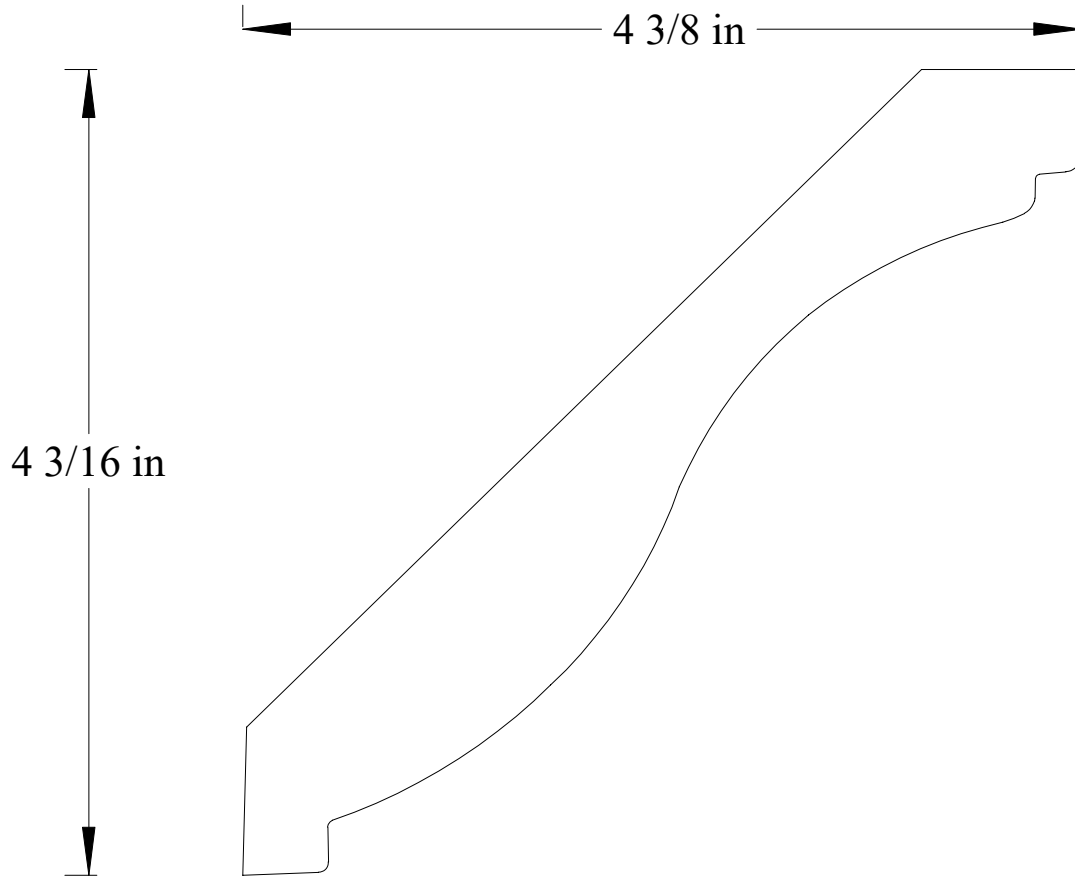
CROWN 36002 1 3/4" X 6"



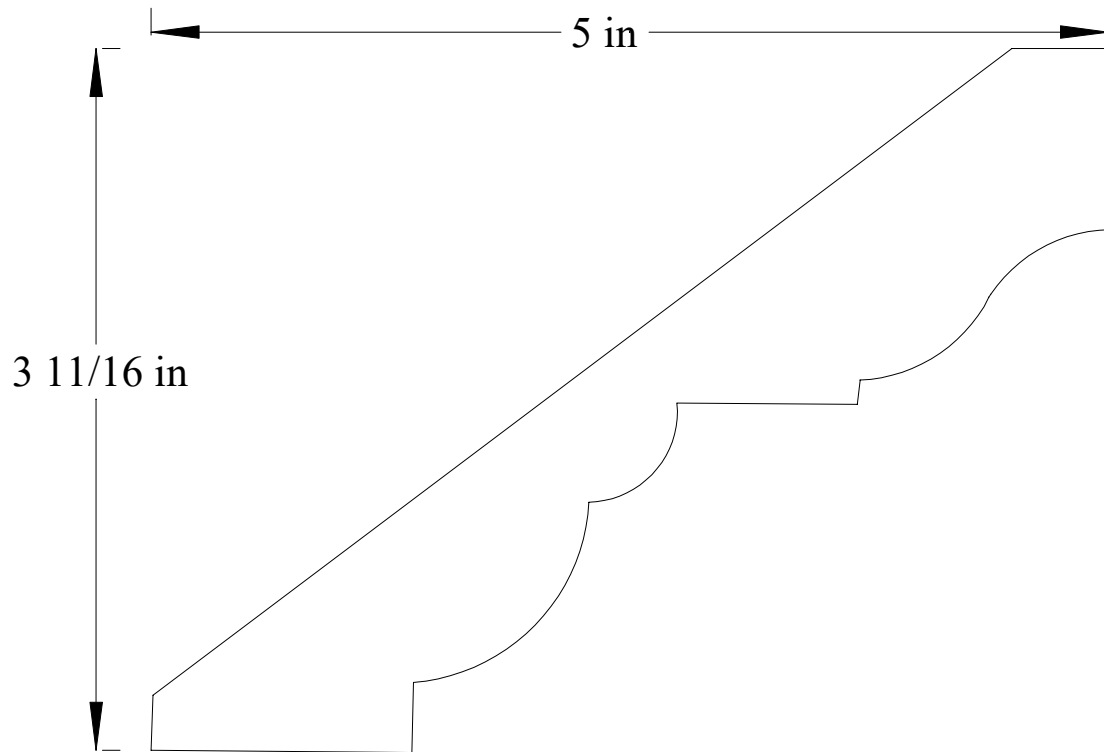
CROWN 36005 $1 \frac{9}{32}$ " X $6 \frac{1}{32}$ "



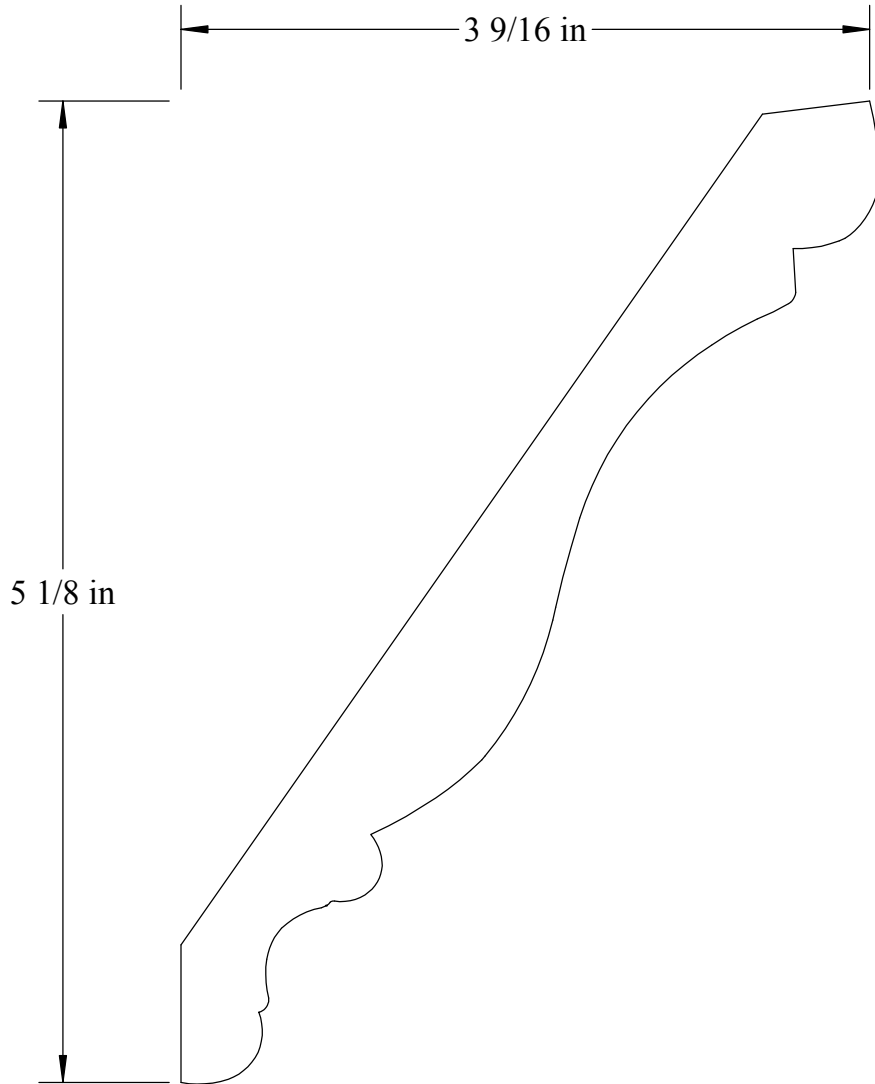
CROWN 36133 1 5/16" x 6 5/32"



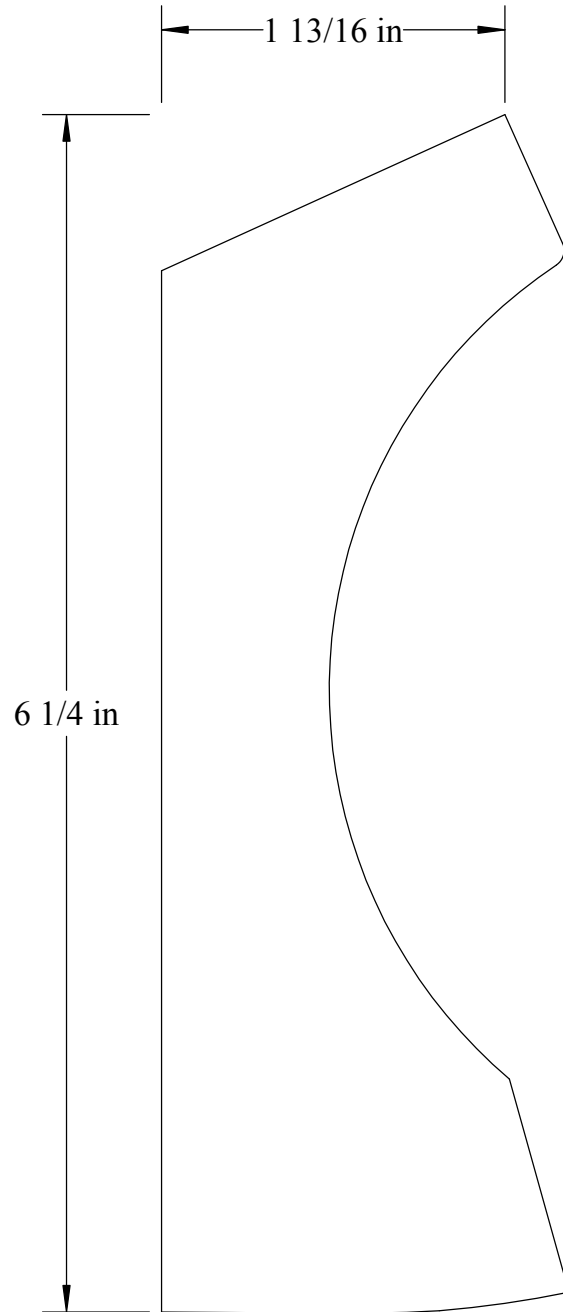
CROWN 36134 $1 \frac{5}{16}$ " X $6 \frac{1}{16}$ "



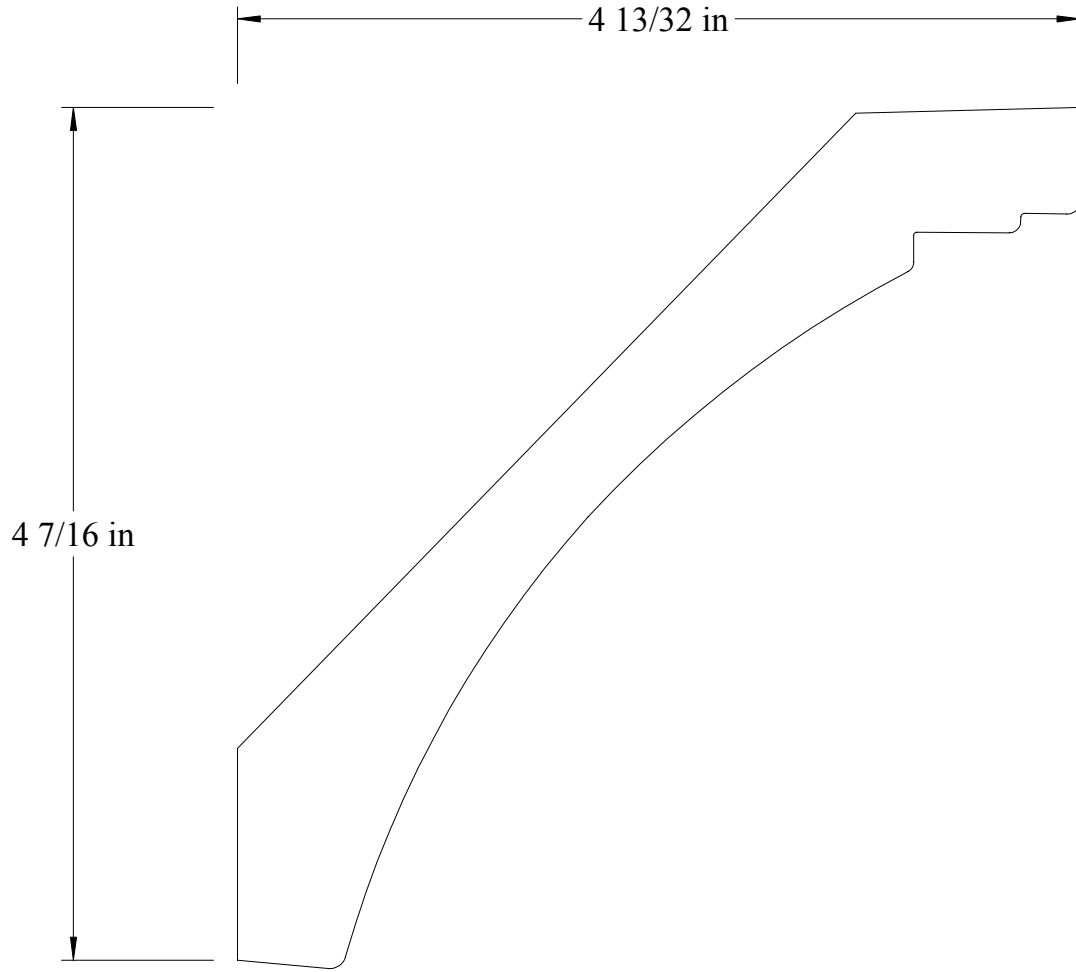
CROWN 3619 1 1/16" X 6 3/16"



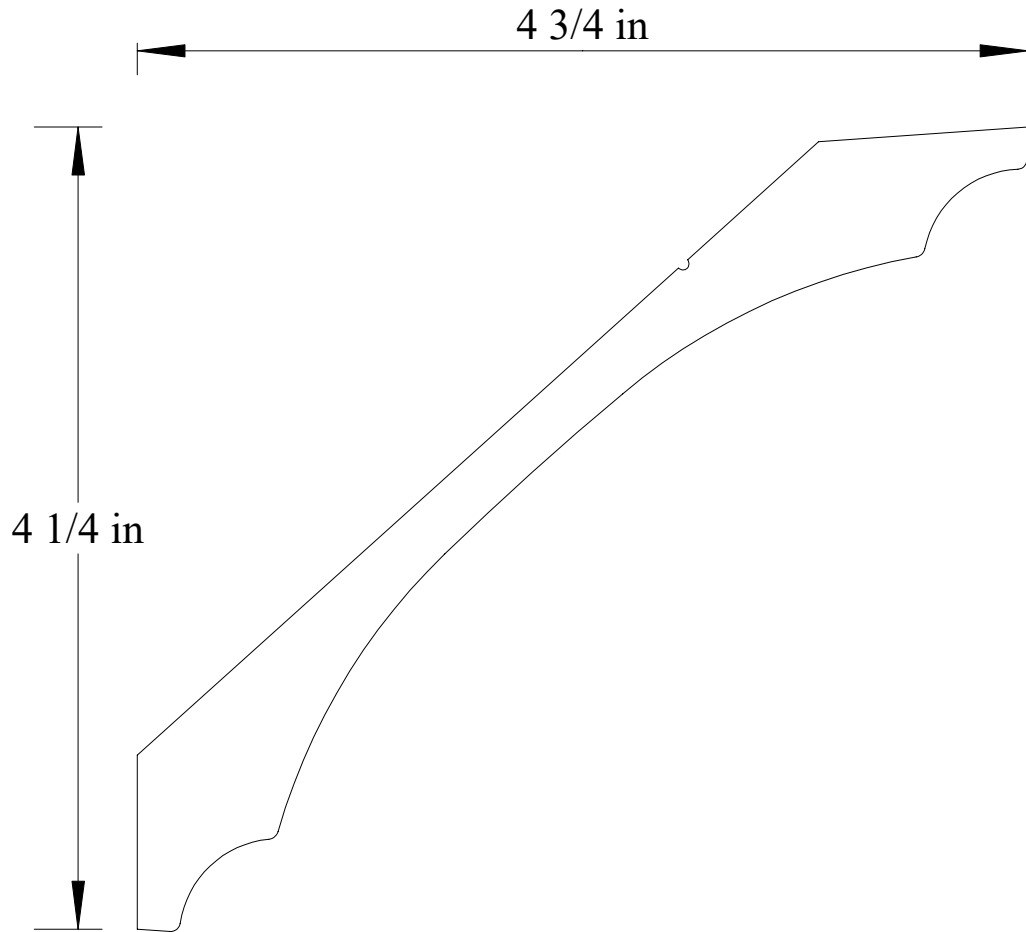
CROWN 36257 3/4" X 6 1/4"



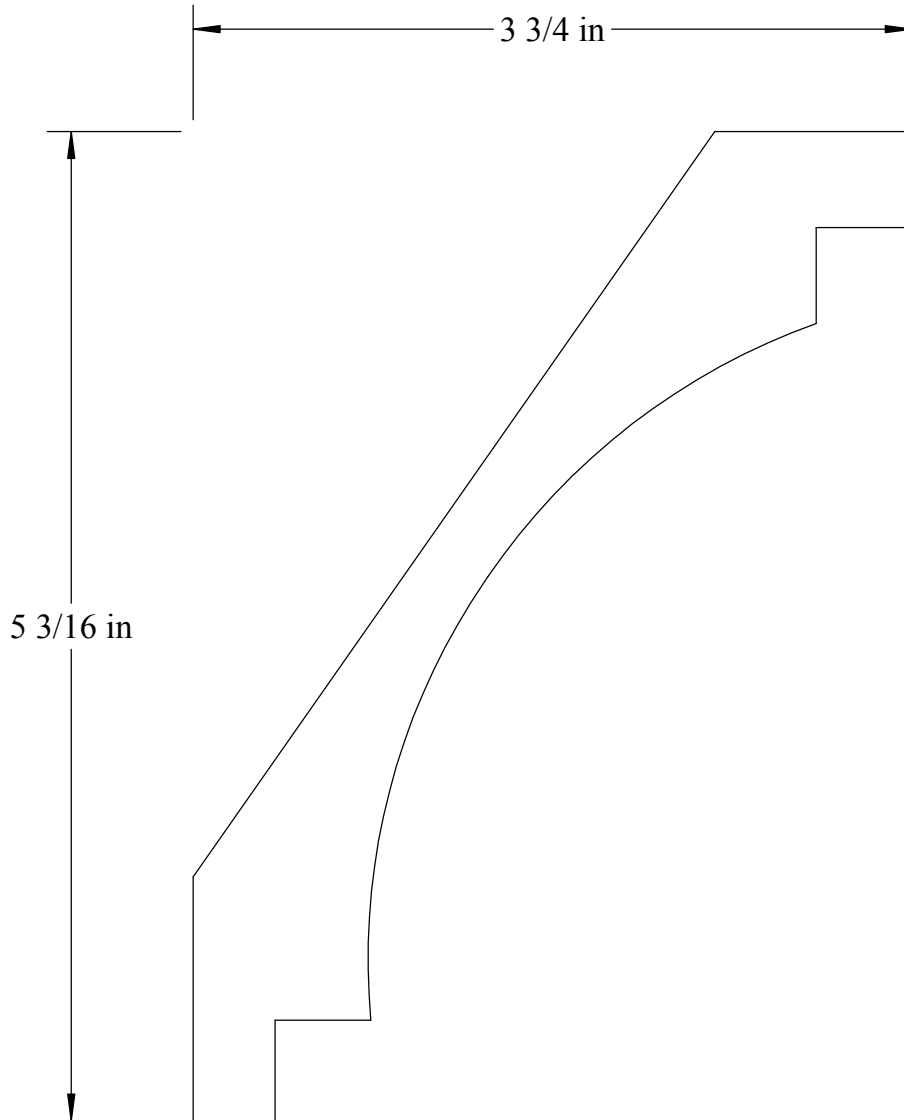
CROWN 36259 $2 \frac{1}{8}$ " X $6 \frac{1}{4}$ "



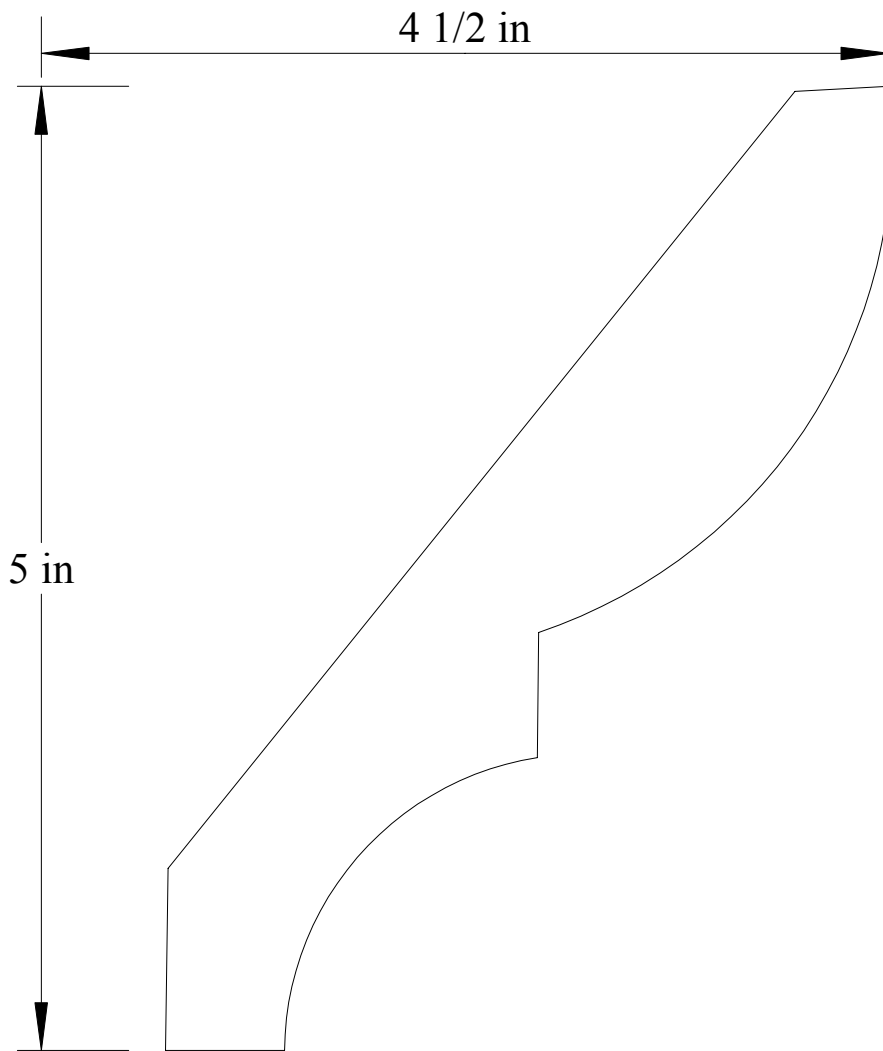
CROWN 362510 $1 \frac{3}{16}$ " X $6 \frac{1}{4}$ "



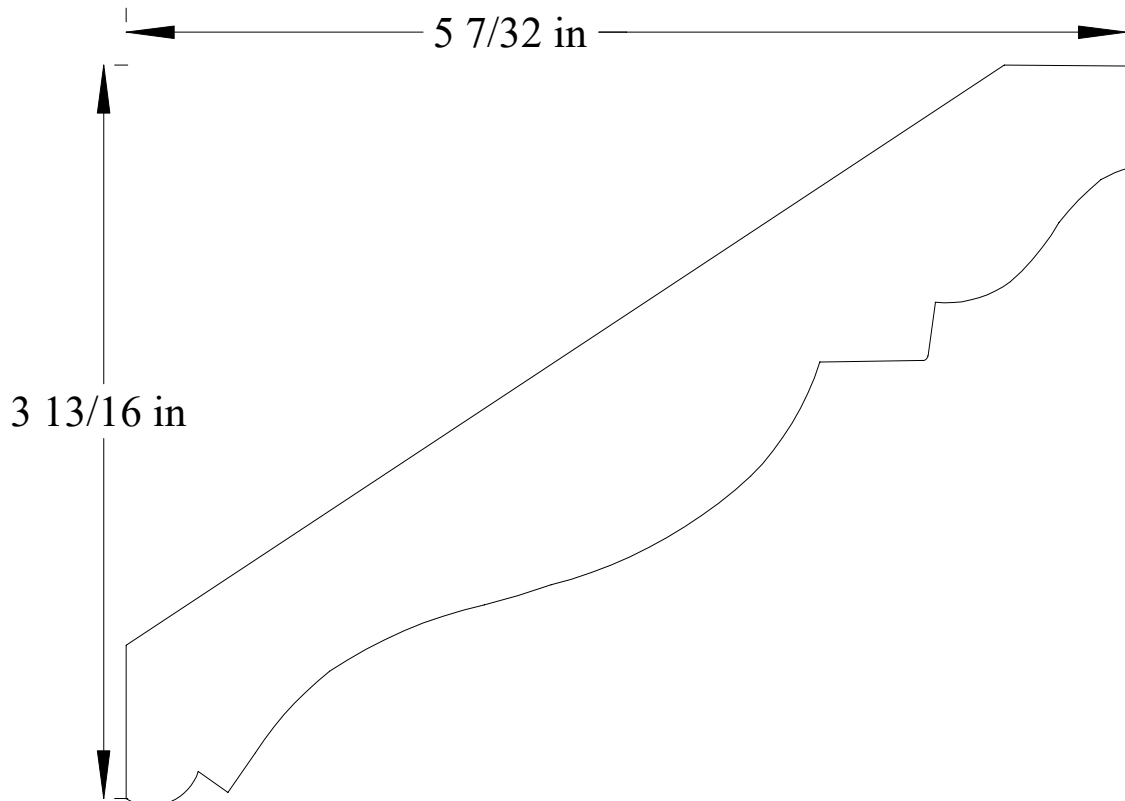
CROWN 362514 13/16" X 6 1/4"



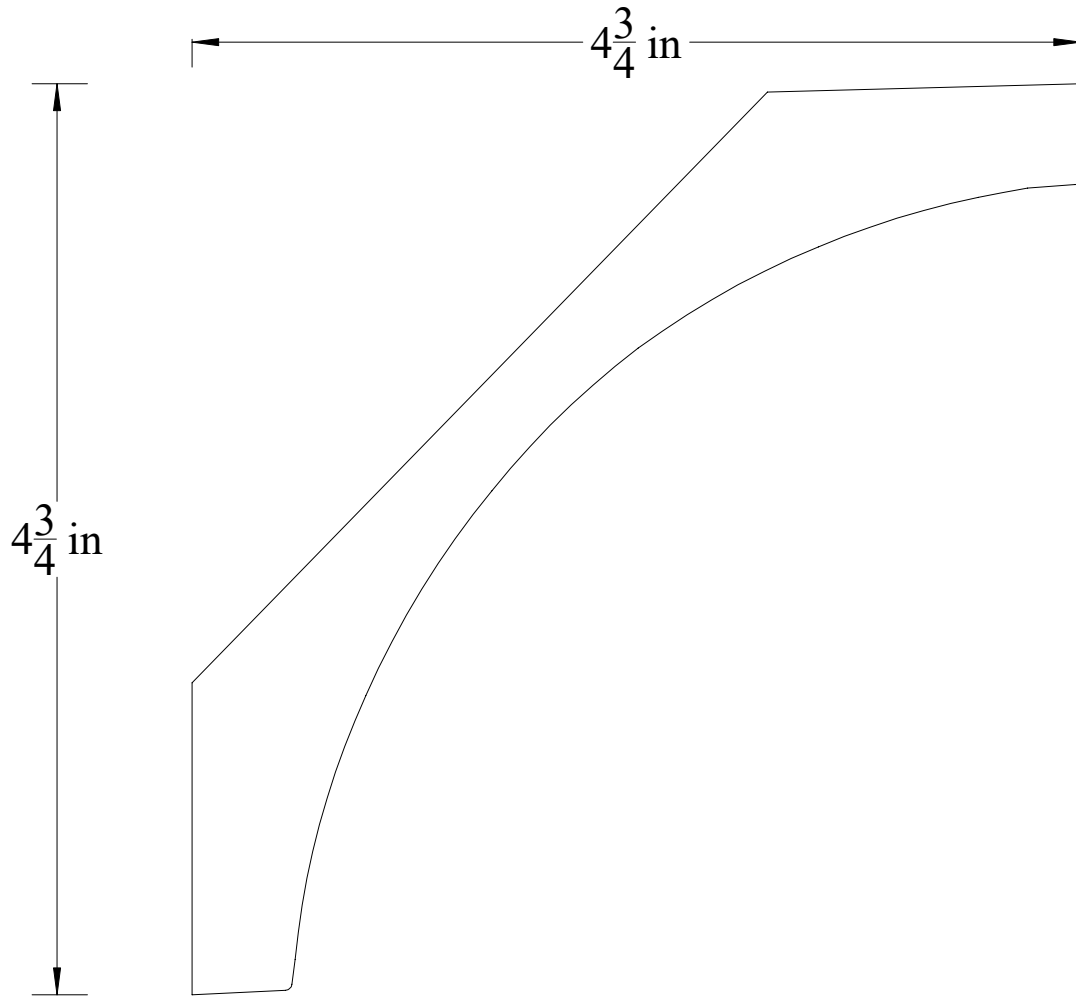
CROWN 36381 $1 \frac{3}{16}$ " X $6 \frac{3}{8}$ "



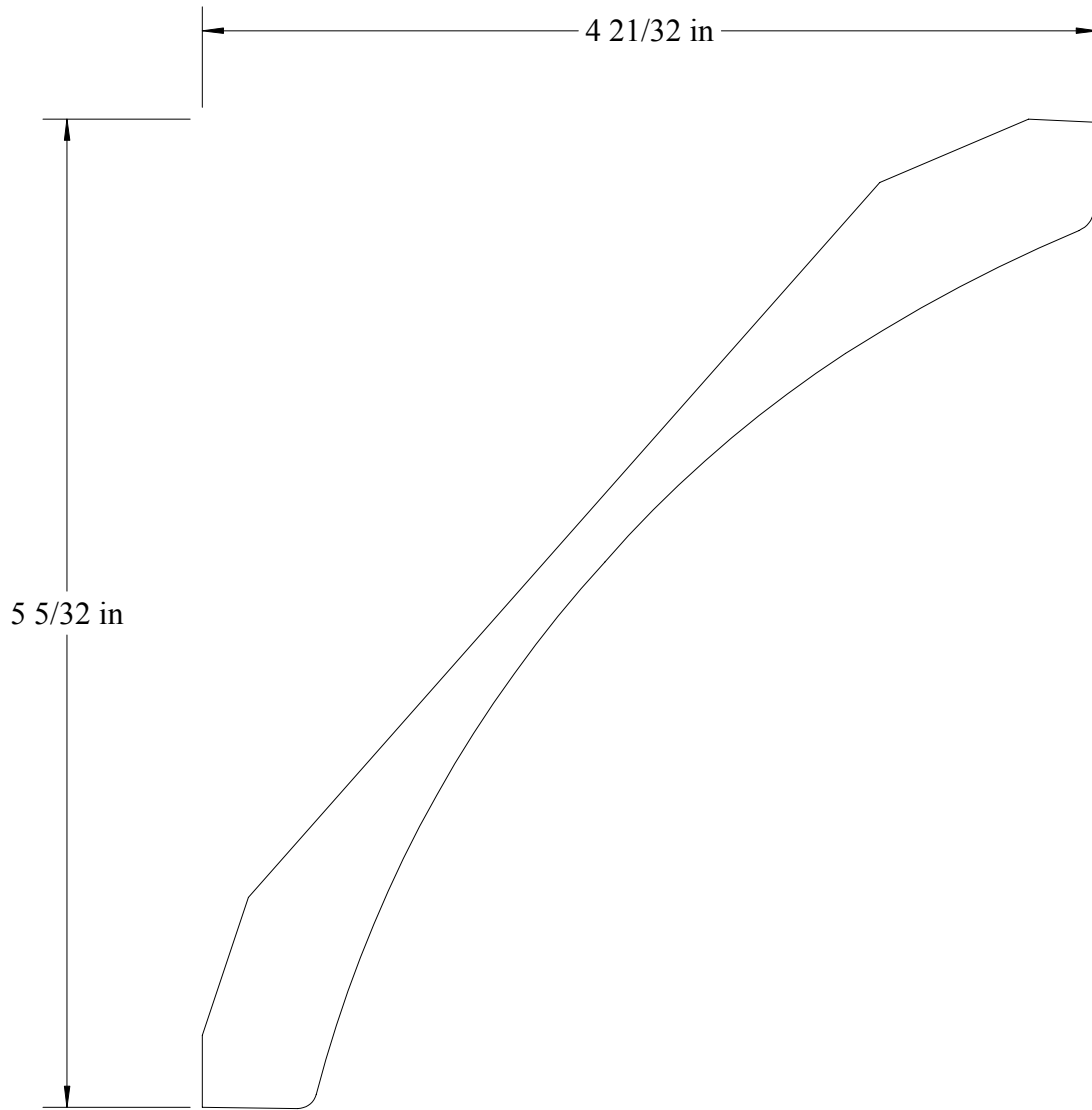
CROWN 3644 1 5/32" X 6 9/32"



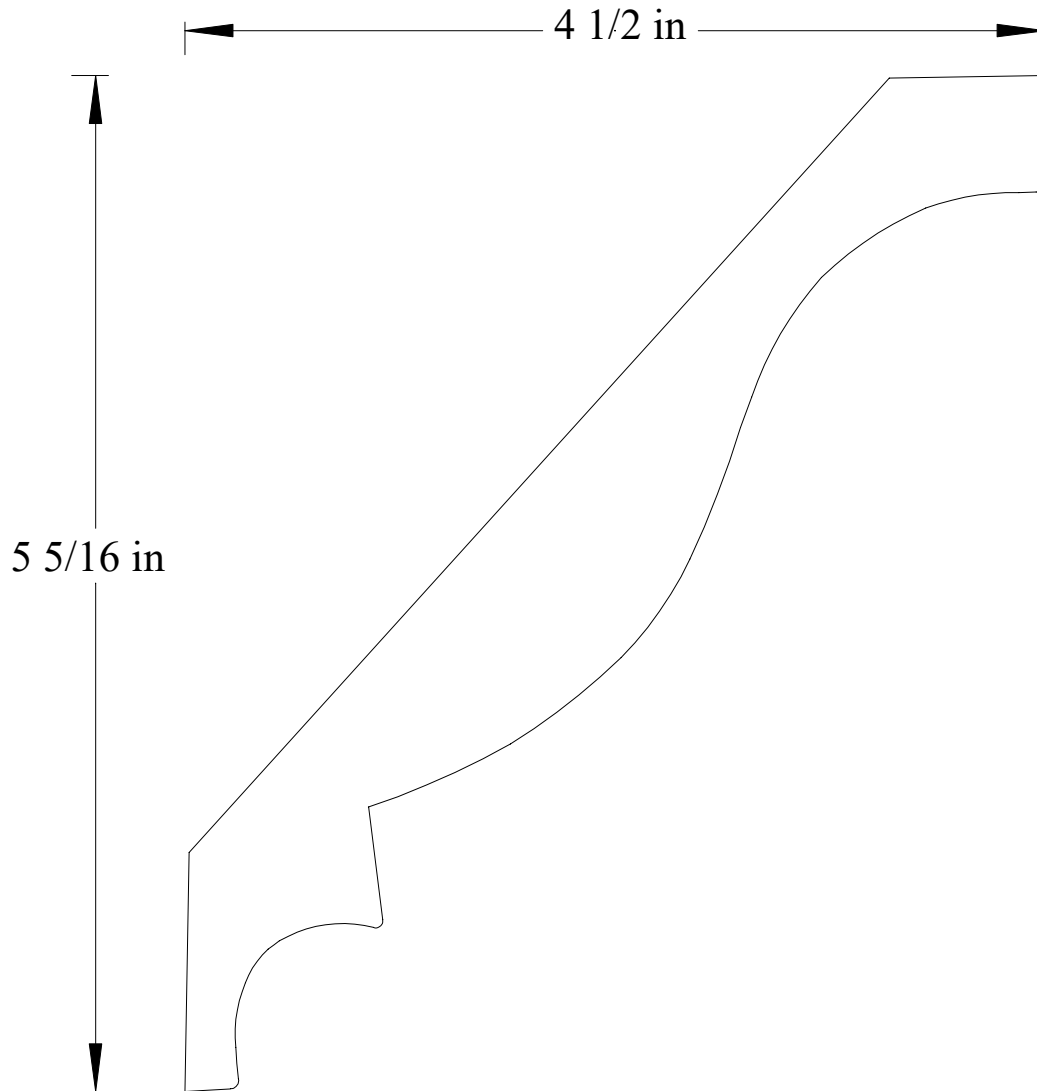
CROWN 36503 1 3/32" X 6 15/32"



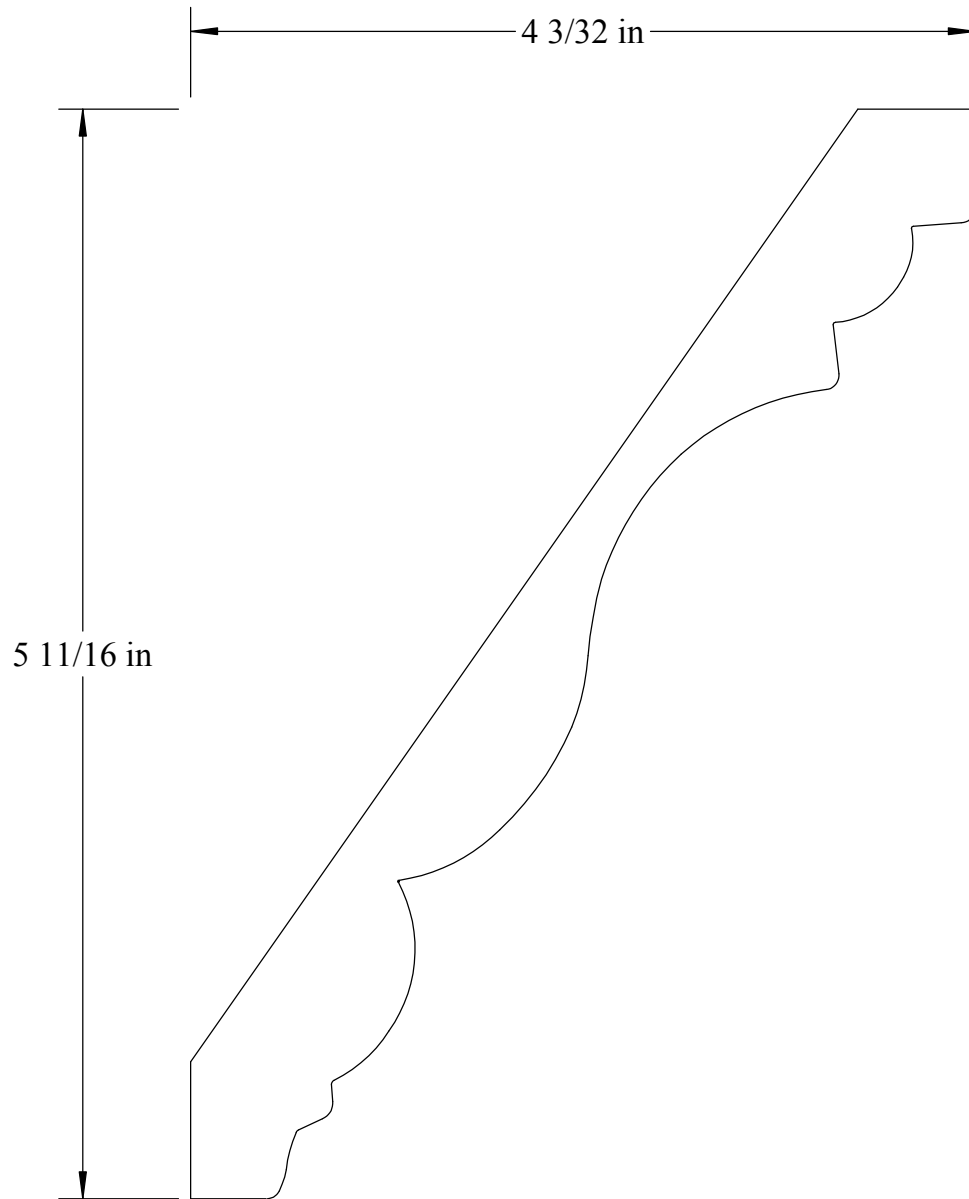
CROWN 36631 1 1/2" x 6 5/8"



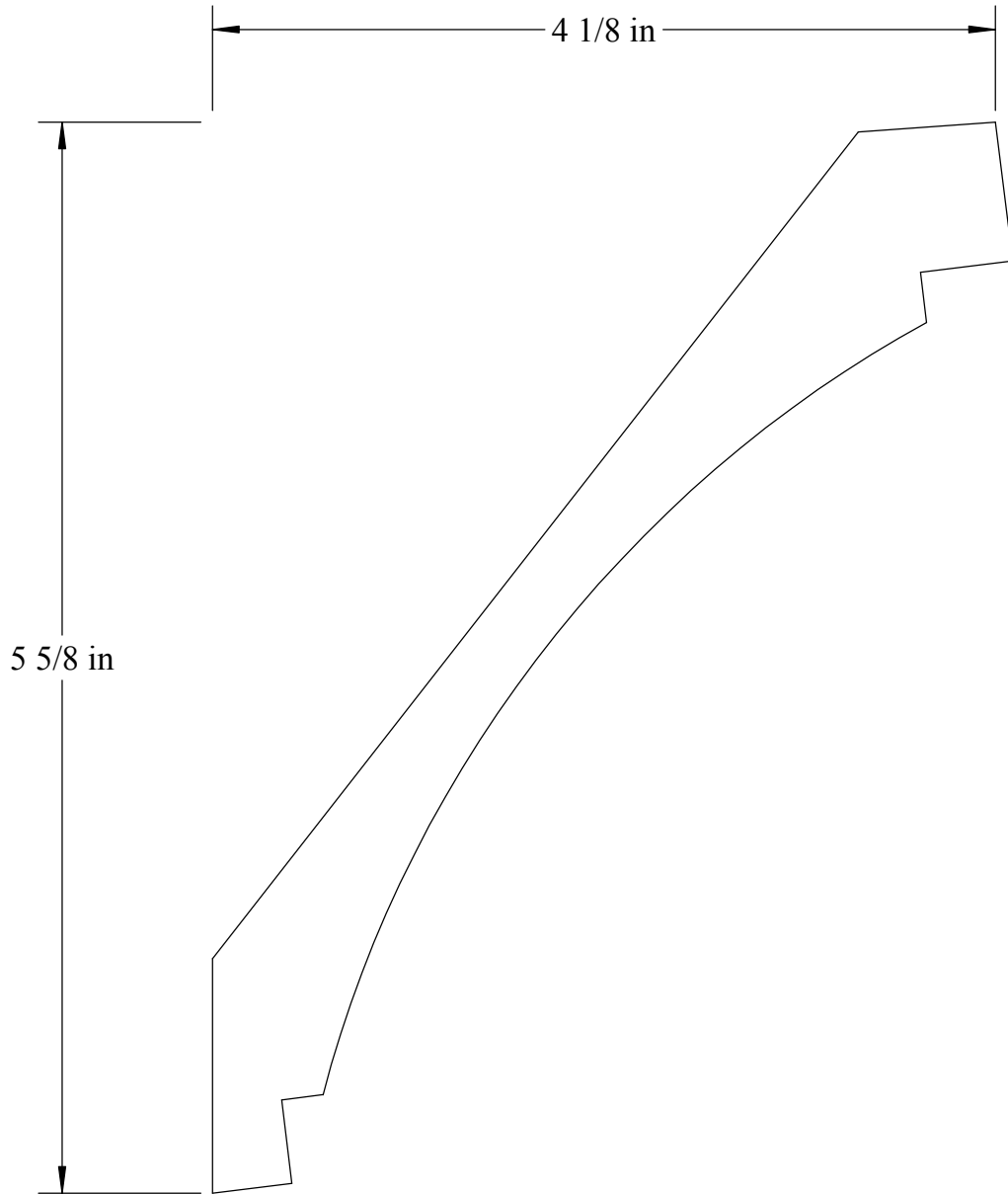
CROWN 3694 $1 \frac{5}{16}$ " X $6 \frac{15}{16}$ "



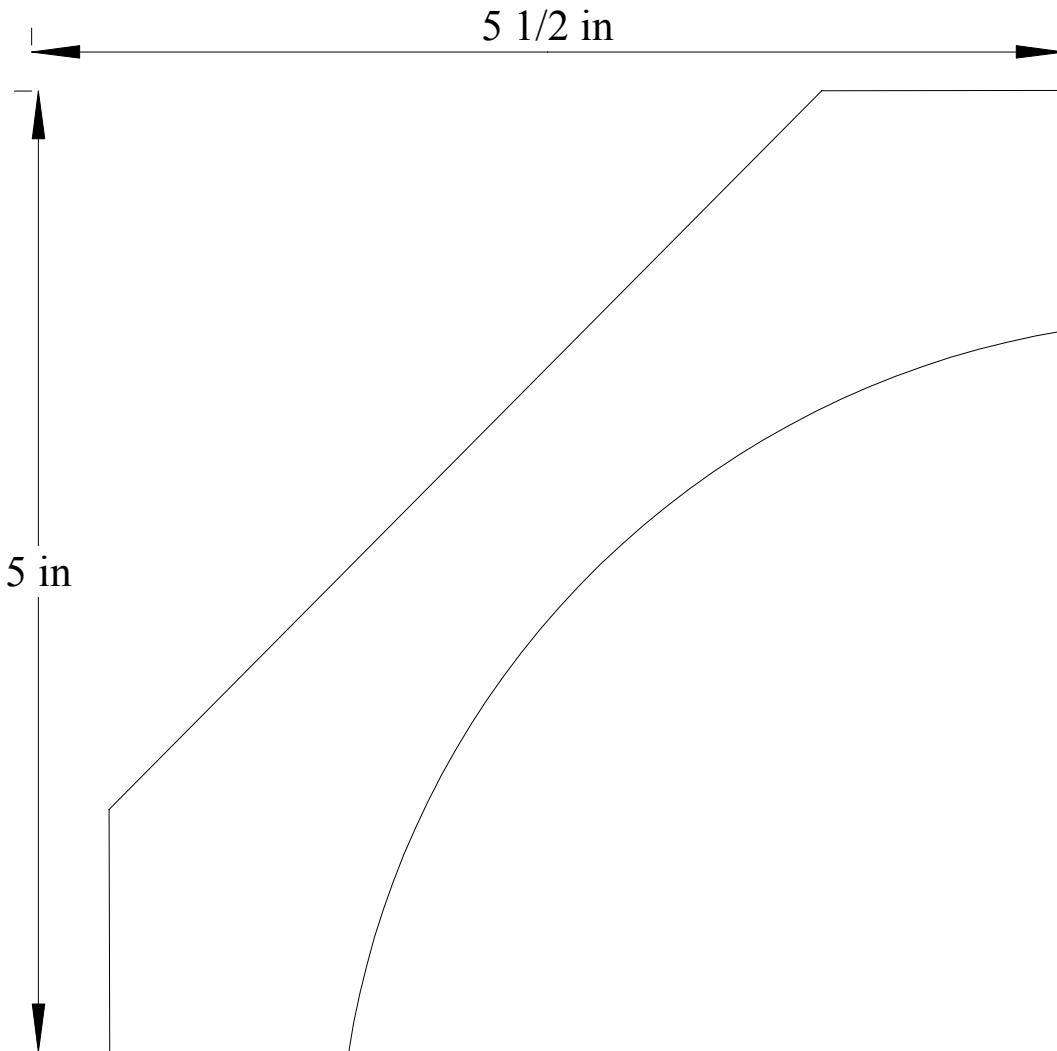
CROWN 36941 1" X 6 15/16"



CROWN 37008 $1 \frac{3}{16}$ " X 7"



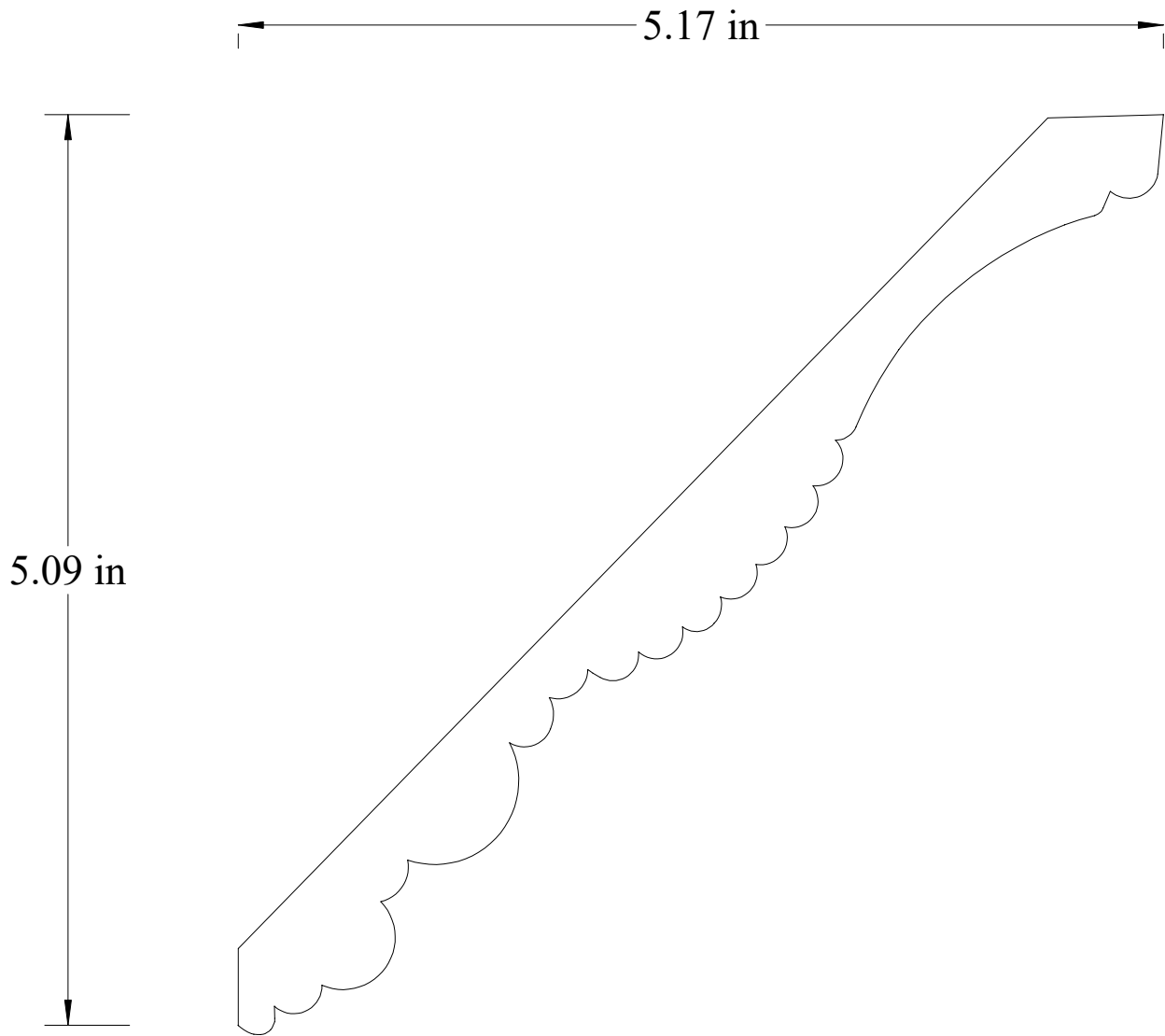
CROWN 37009 1 1/16" X 7"



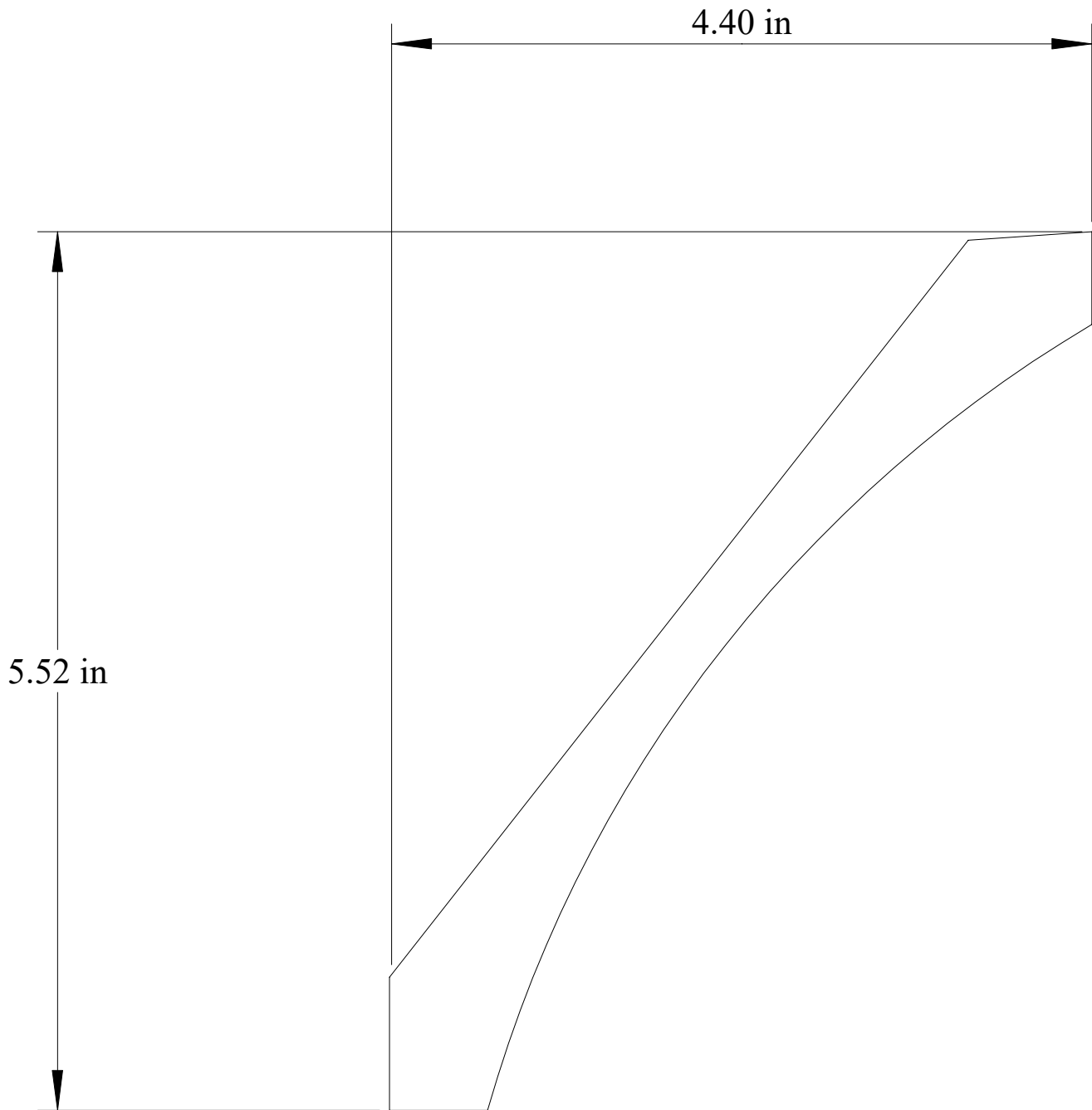
CROWN 37062 1 25/32" X 7 1/16"



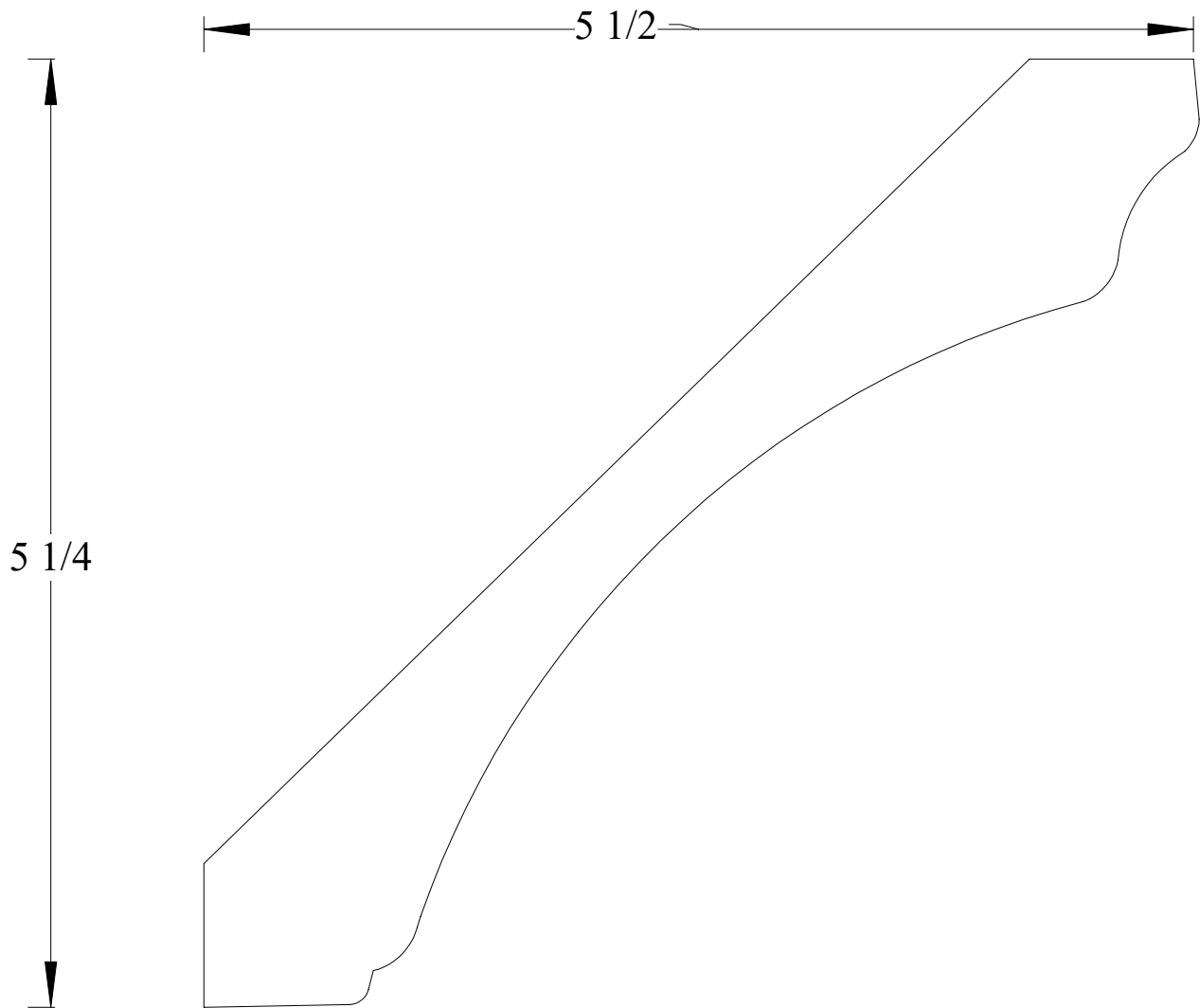
CROWN 37253 $\frac{3}{4}$ " X $7 \frac{1}{16}$ "



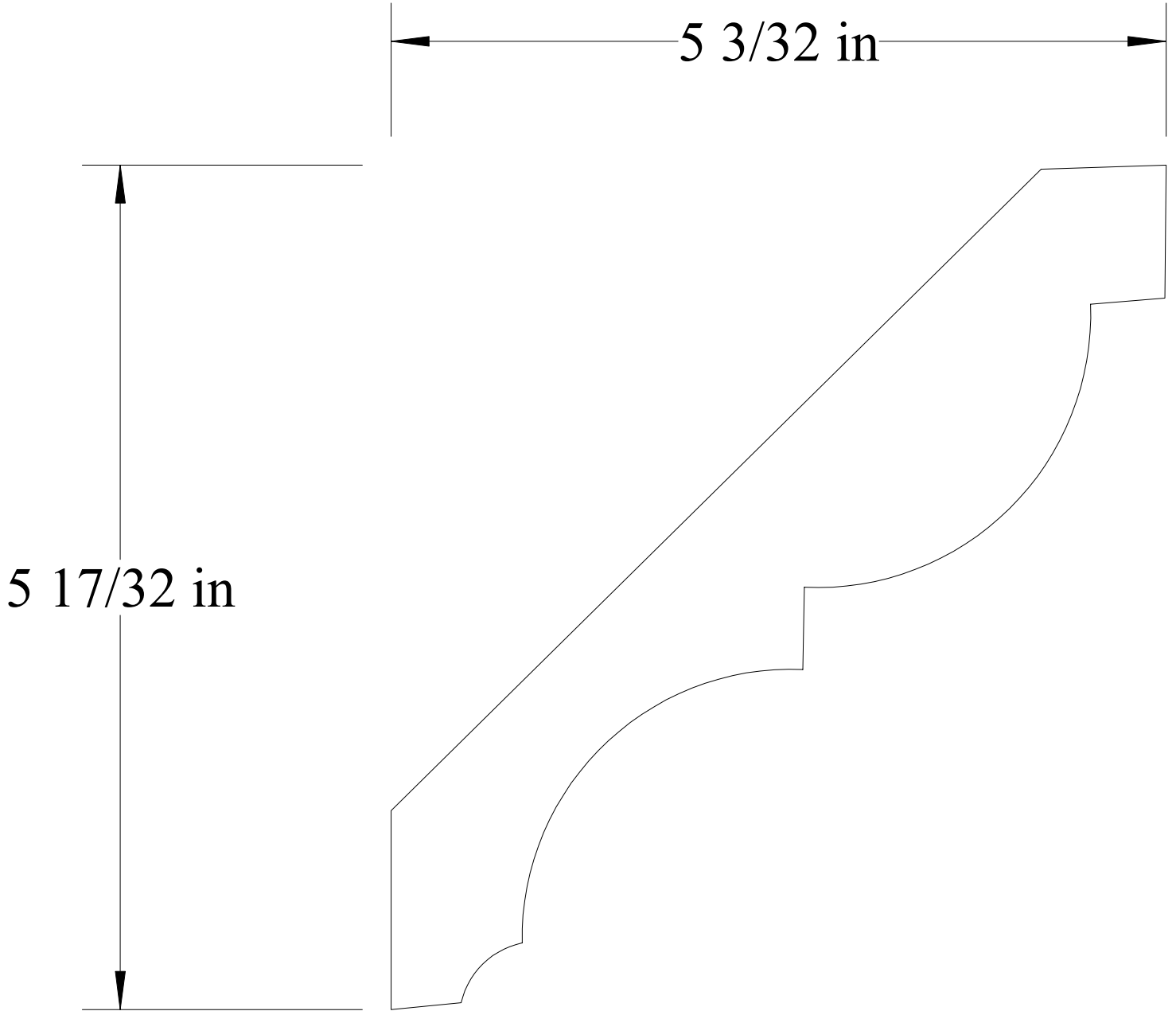
CROWN 37254 5/8" x 7 1/4"



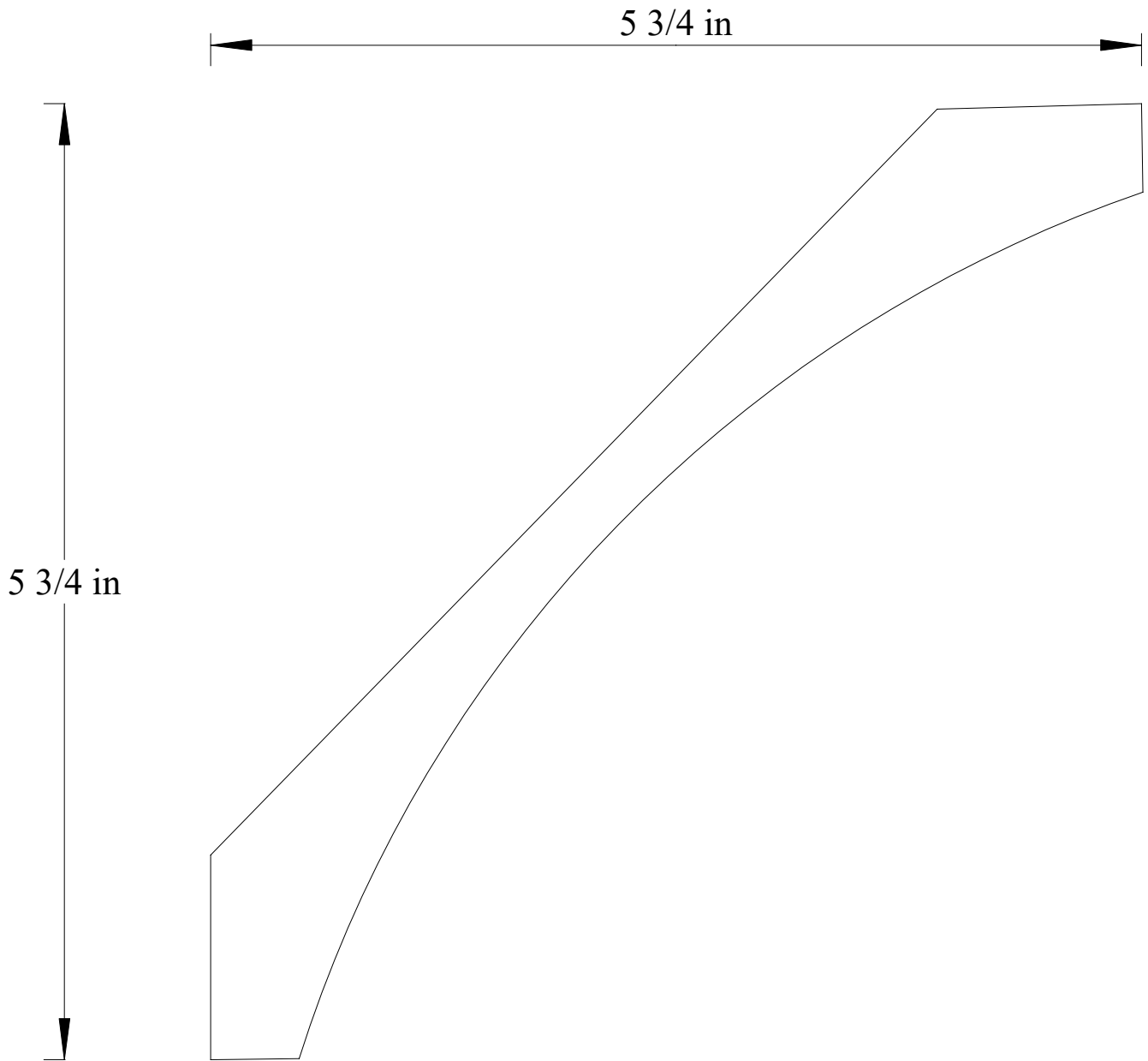
CROWN 37255 1" x 7 1/16"



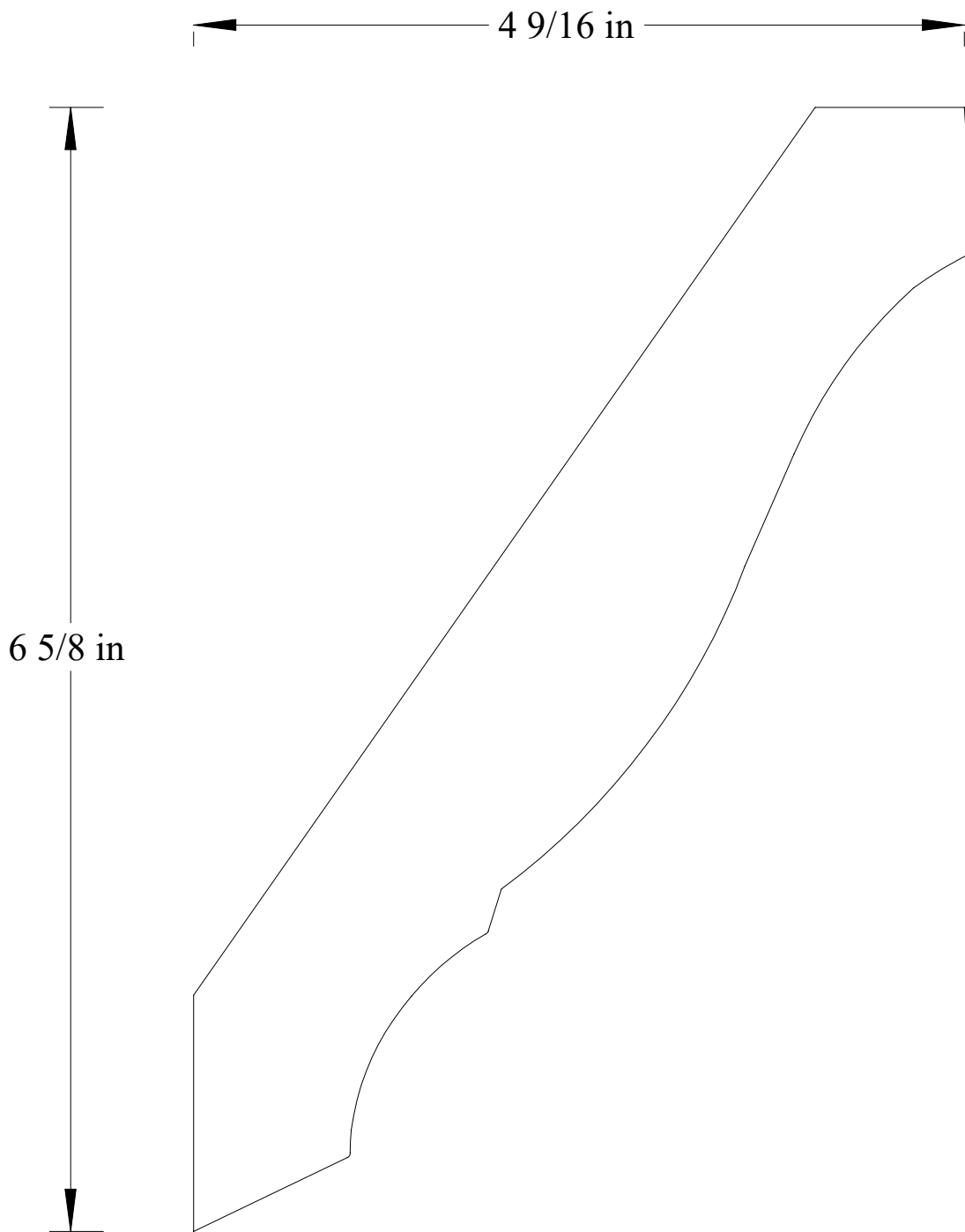
CROWN 37503 $1 \frac{3}{16}$ " X $7 \frac{1}{2}$ "



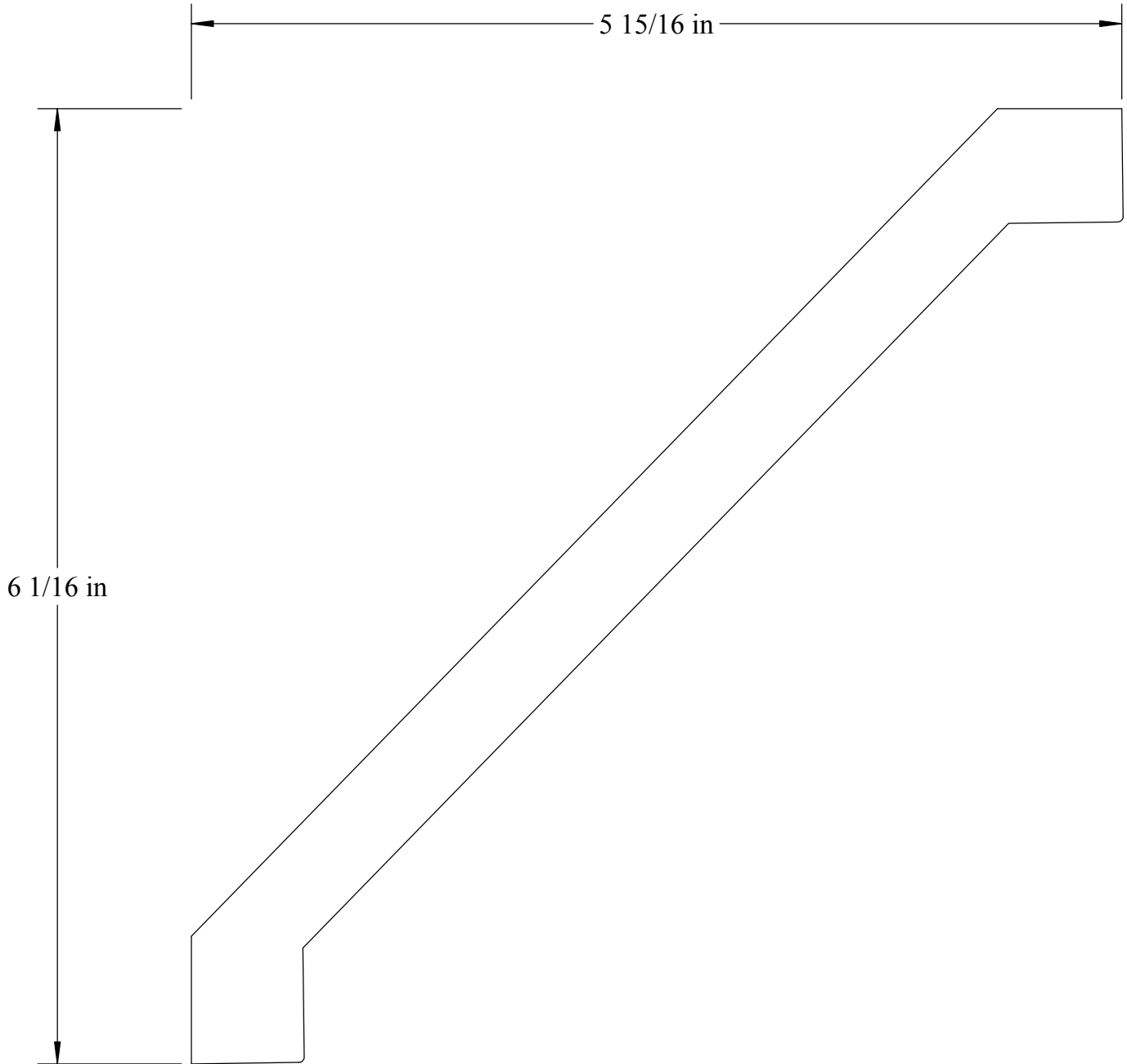
CROWN 37504 1-7/16" x 7-1/2"



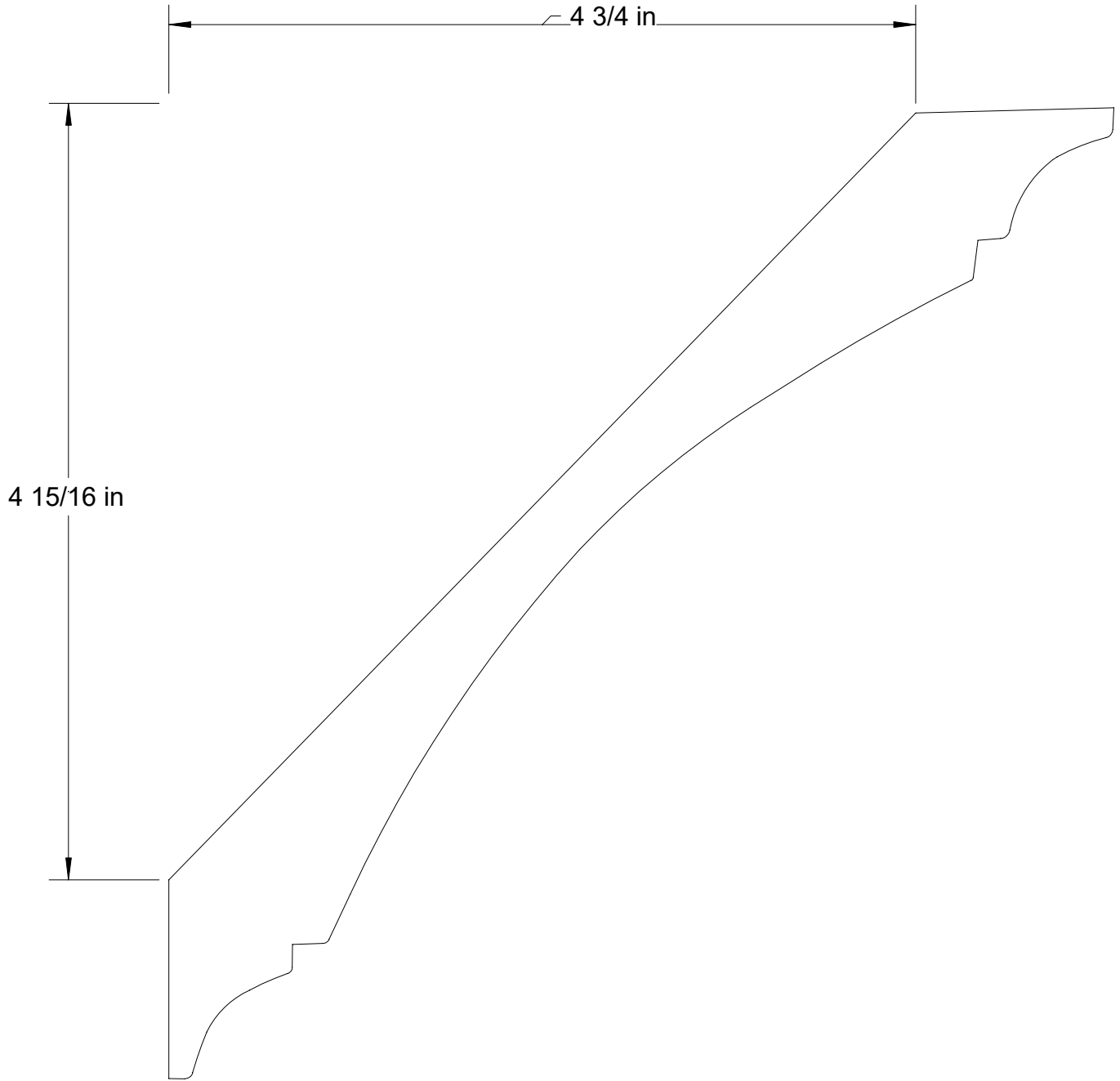
CROWN #38131 1 1/4" x 8 1/8"



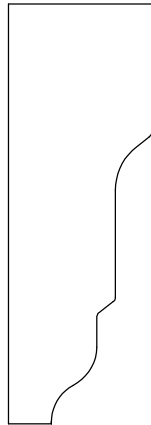
CROWN 38132 1 3/8" X 8 1/16"



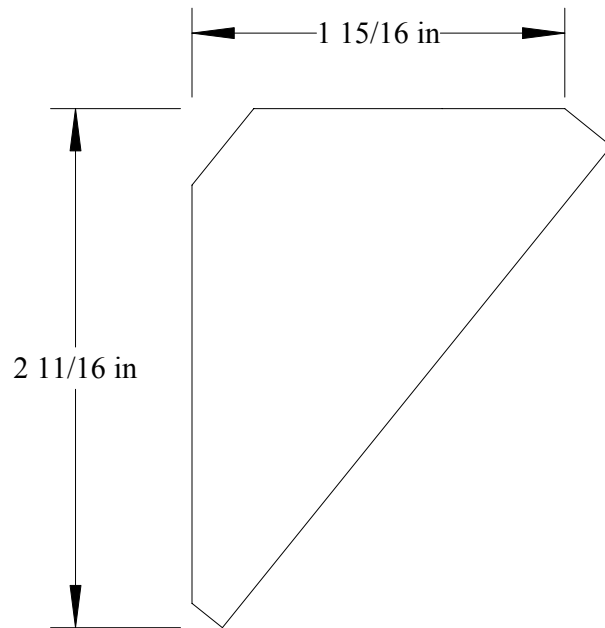
CROWN 38501 $1 \frac{1}{16}$ " X $8 \frac{1}{2}$ "



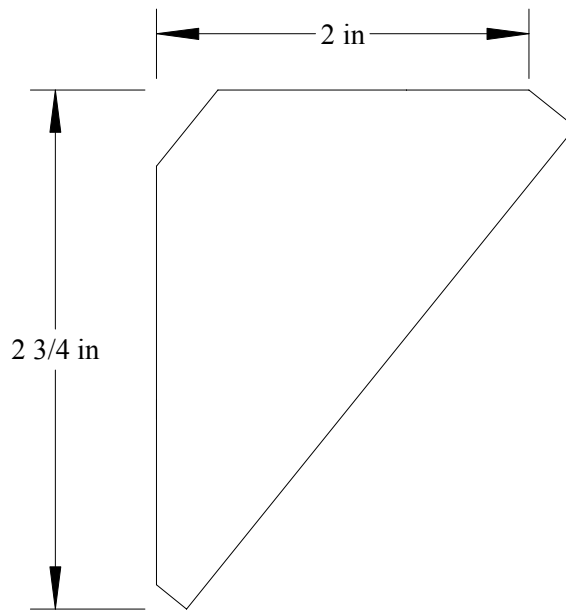
CROWN 387510 1" x 8 5/8"



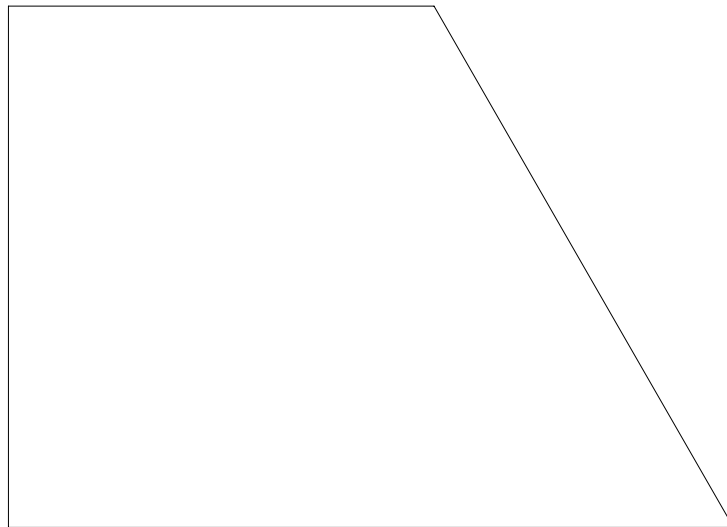
CROWN 92257 3/4" X 2 3/16"



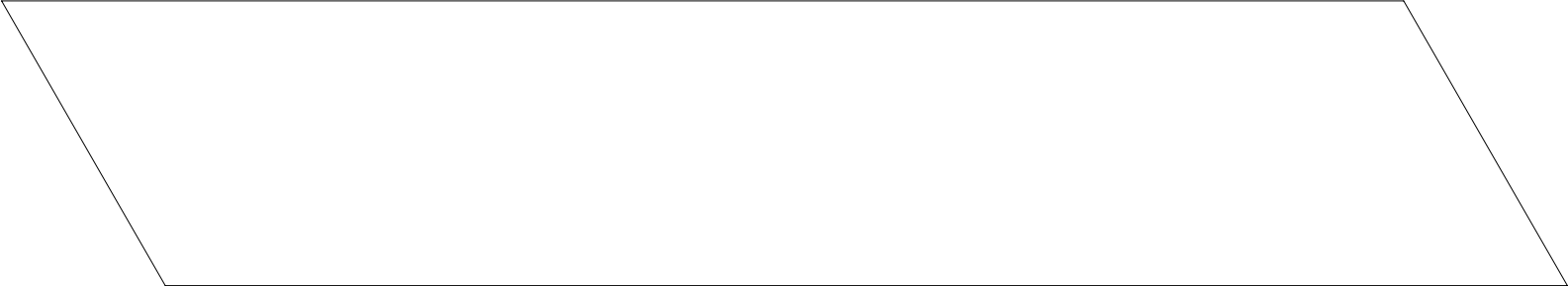
CROWN BLOCK 3369 $1 \frac{9}{16}$ " X $3 \frac{1}{4}$ "



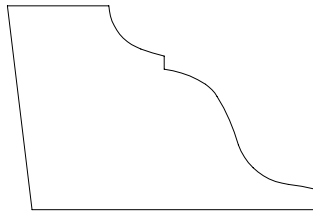
CROWN BLOCK FOR 3532 1 9/16" X 3 1/4"



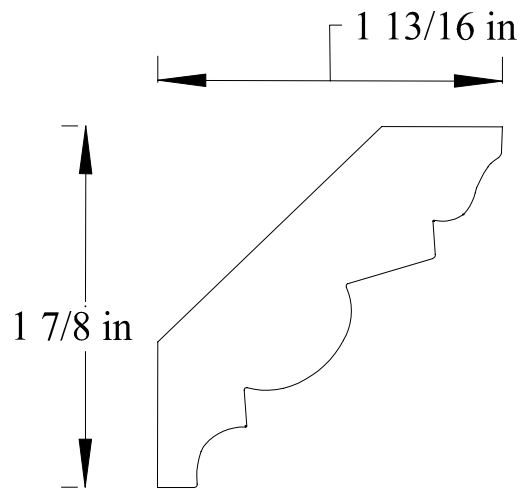
BLOCKING 927512 2 23/32" X 3 25/32"



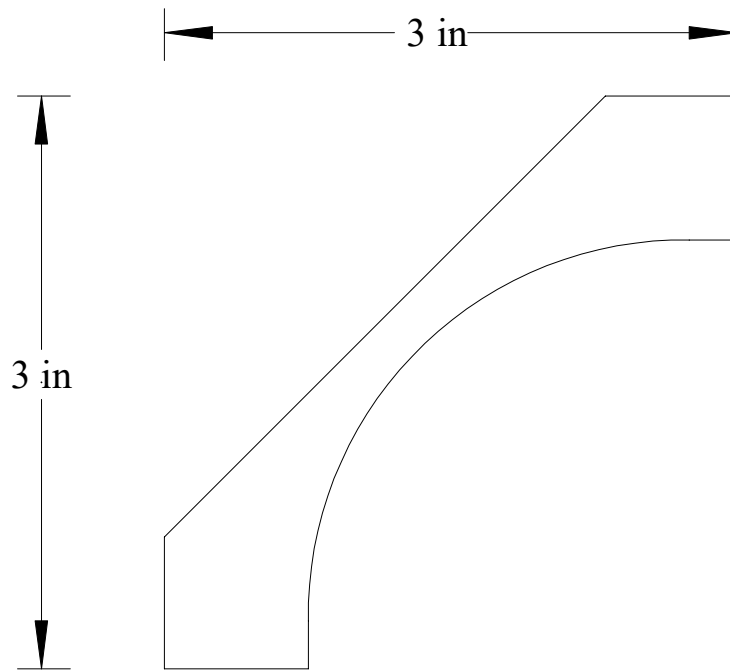
BLOCKING 9813 1 1/2" X 8 1/4"



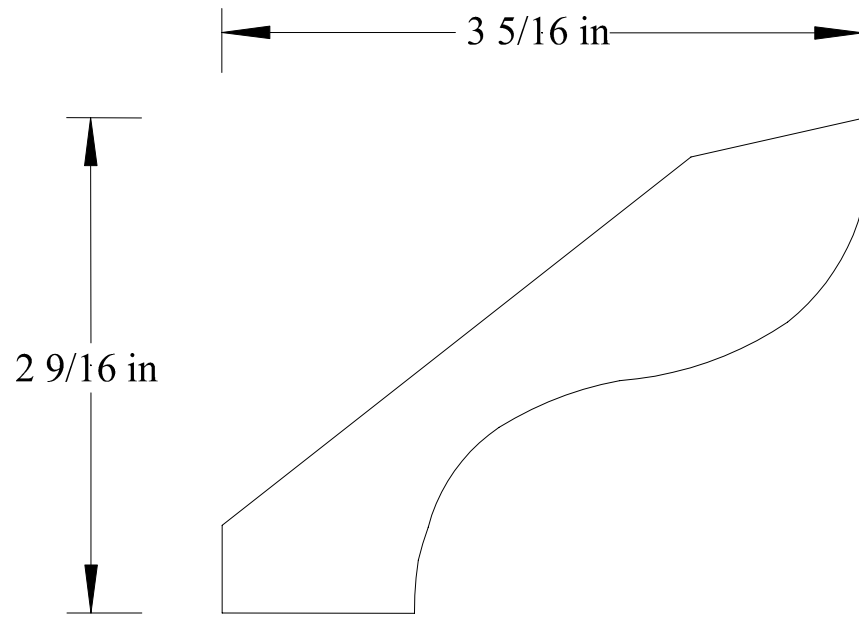
CROWN 315011 1 1/16" X 1 19/32"



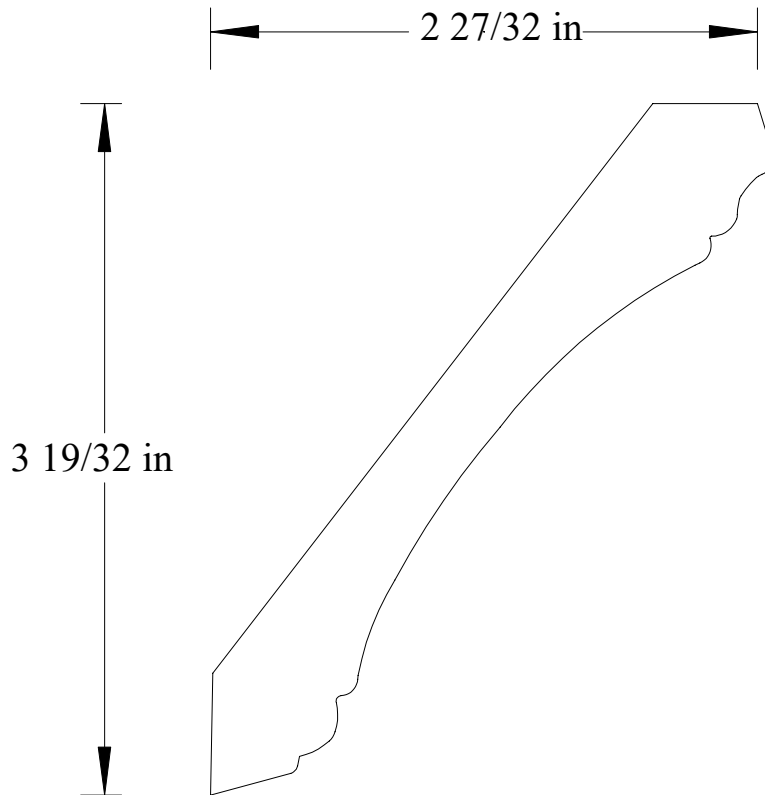
CROWN 32502 $1 \frac{13}{16}$ " X $2 \frac{19}{32}$ "



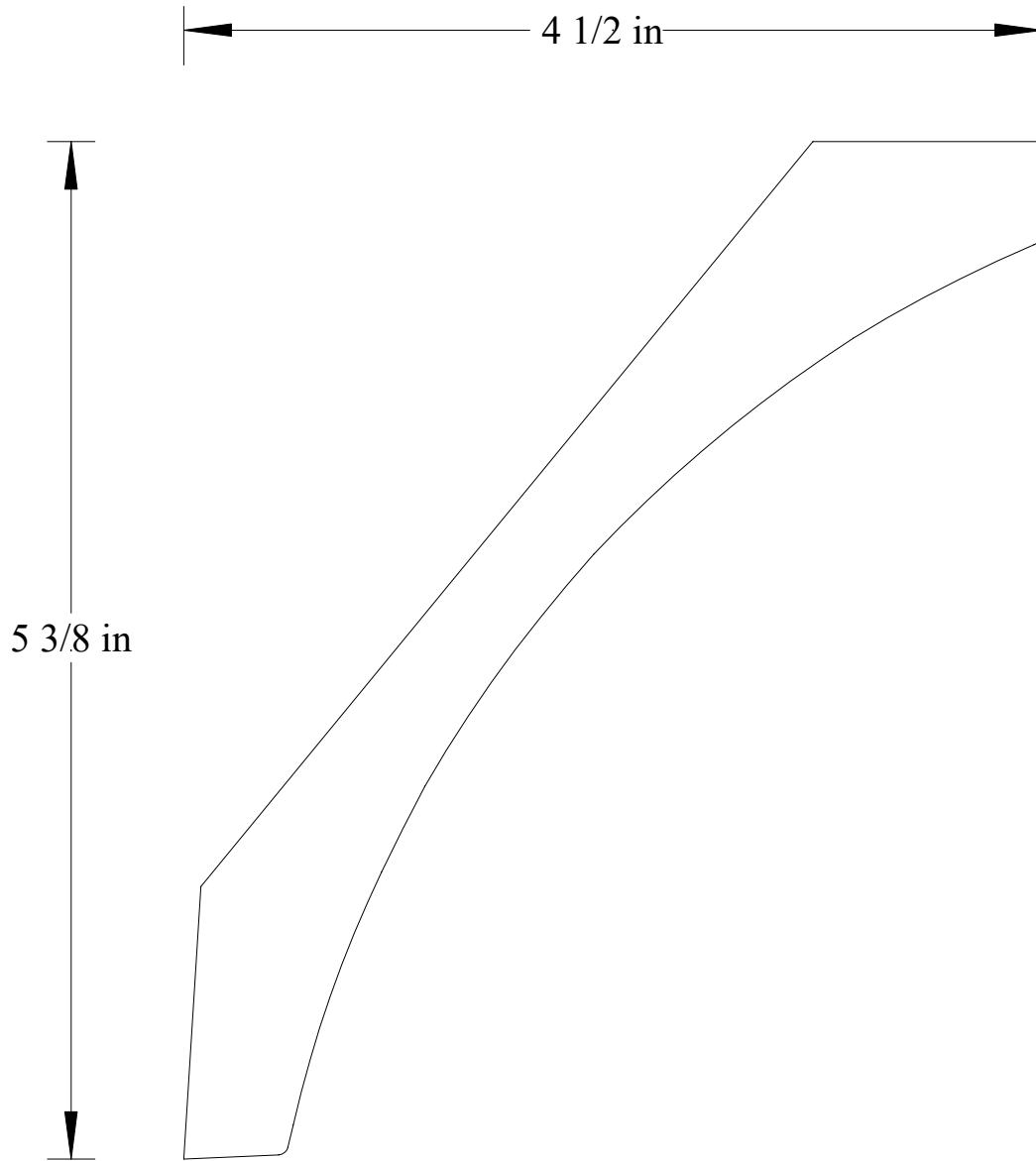
CROWN 342524 1" X 4 1/4"



CROWN 342525 1" X 4 1/4"



CROWN 34639 $2 \frac{27}{32}$ " X $3 \frac{19}{32}$ "



CROWN 370010 1 1/4" X 7"